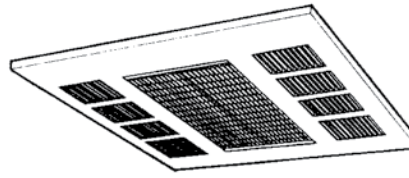


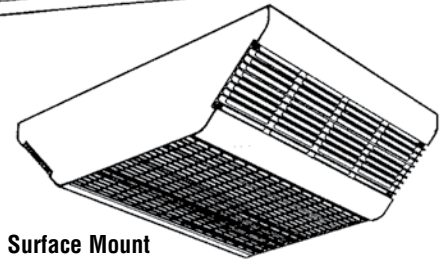
ASPEQ

HEATING GROUP

937 Series Ceiling Mounted Fan Forced Heater



Recessed Mount



Surface Mount



Installation, Operation & Maintenance Instructions

Table 1. Specifications

Cat. No.	Kw ¹	BTU/Hr. (600)	Volts	Phase ²	Amps ³	CFM	°F (°C) ⁴
937AF-548A-N	4/3/2	13.7/10.2/6.8	208	1-3	19.2/14.4/9.6	300	42 (23,3)
937AF-542A-N			240	1-3	16.7/12.5/8.3	(141,5 dm ³ /s)	
937AF-547A-N			277	1	14.5/10.8/7.2		
937AF-558A-N	5/3.8/2.5	17.2/13.0/8.5	208	1-3	24.0/18.2/12.0	300	45 (25)
937AF-552A-N			240	1-3	20.8/15.8/10.4	(141,5 dm ³ /s)	
937AF-557A-N			277	1	18.1/13.7/9.0		
FIE-SEB-N FIE-SEBNW-W	Surface mounting enclosure - to be used with above heater sections. Dim: 20" (508mm) L x 16-1/2" (419mm) W x 5-3/4" (146mm) D.						
FIE-REB-N FIE-REBNW-W	Recess mounting enclosure - to be used with above heater sections. Dim: 23-3/4" (603mm) L x 23-3/4" (603mm) W x 7" (177mm) D.						

Acc.	Field Installed Kits
FIT-500T-Z	Thermostat SPST - Range 40 to 95°F (4 to 35°C).
FIR-24R-Z	Relay (Time Delay 45 - 60 sec. to close when energized) requires 24 volt supply from remote source.
FIR-FR12-Z	Relay (Time Delay 45 - 60 sec. to close when energized) requires 120 volt supply from remote source.
FIS-DS-Z	Power Disconnect Switch (3-Pole) 30 amps, 600 volts, 1Ø, 60 Hz.
FIK-TK-N	Trim Ring for mounting on permanent ceiling (can not be factory installed).
FIR-FTR4-Z	208/240 V Primary Transformer/24 V sec. and 24 V holding coil control relay.
FIR-FTR7-Z	277 V Primary Transformer/ 24 V sec. and 24 V holding coil control relay.
TIK-SSP-Z	Digital Thermostat - 0.5A; 24VAC; Max Load = 89 VA

¹ Factory wired for highest wattage, field convertible to lower wattages.

² Factory wired 1Ø, field convertible to 3Ø.

³ On dual phase units, maximum amp draw is listed.

⁴ Temperature difference at highest rated wattage.

IMPORTANT INSTRUCTIONS



WARNING



WHEN USING ELECTRIC APPLIANCES, BASIC PRECAUTIONS SHOULD ALWAYS BE FOLLOWED TO REDUCE THE RISK OF FIRE, ELECTRIC SHOCK, AND INJURY TO PERSONS, INCLUDING THE FOLLOWING:

- Read all instructions before installing or using this heater.
- This heater is hot when in use. To avoid burns, do not let bare skin touch hot surfaces. Keep combustible materials, such as furniture, pillows, bedding, papers, clothes, etc. and curtains at least 3 feet (0.9 m) from the front of the heater.
- Extreme caution is necessary when any heater is used by or near children or invalids and whenever the heater is left operating and unattended.
- Do not operate any heater after it malfunctions. Disconnect power at service panel and have heater inspected by a reputable electrician before using.
- Do not use outdoors.
- To disconnect heater, turn controls to off, and turn off power to heater circuit at main disconnect panel.
- Do not insert or allow foreign objects to enter any ventilation or exhaust opening as this may cause an electric shock, fire, or damage to the heater.
- To prevent a possible fire, do not block air intake or exhaust in any manner.
- A heater has hot and arcing or sparking parts inside. Do not use it in areas where gasoline, paint, or flammable liquids are used or stored.
- Use this heater only as described in this manual. Any other use not recommended by the manufacturer may cause fire, electric shock, or injury to persons.
- This heater is intended for comfort heating applications and not intended for use in special environments. Do not use in damp or wet locations such as marine or greenhouse or in areas where corrosive or chemical agents are present.
- When installing, see INSTALLATION INSTRUCTIONS for additional warnings and precautions.
- For safe and efficient operation, and to extend the life of your heater, keep your heater clean - See MAINTENANCE INSTRUCTIONS.

THIS HEATER IS FOR COMMERCIAL USE ONLY, NOT FOR RESIDENTIAL USE

SAVE THESE INSTRUCTIONS

INSTALLATION INSTRUCTIONS

⚠ WARNING ⚠

To prevent a possible fire, injury to persons or damage to the heater, adhere to the following:

1. Disconnect all power coming to heater at main service panel before wiring or servicing.
2. All wiring procedures and connections must be in accordance with the National and Local Codes having jurisdiction and the heater must be grounded.
3. Power supply must enter back box through the knockouts.
4. Verify the power supply voltage coming to heater matches the ratings as shown on the heater nameplate.

CAUTION: ENERGIZING HEATER AT A VOLTAGE GREATER THAN THE VOLTAGE PRINTED ON THE NAMEPLATE WILL DAMAGE THE HEATER AND VOID THE WARRANTY AND COULD CAUSE A FIRE.

5. **CAUTION** - High temperature, risk of fire, keep electrical cords, drapery, furnishings, and other combustibles at least 3 feet (0.9 m) from front of heater. Do not install heater behind doors, below towel racks, or in an area where it is subject to being blocked by furniture, curtains or storage materials. Hot air from the heater may damage certain fabrics and plastics.
6. To reduce the risk of fire, do not store or use gasoline or other flammable vapors and liquids in the vicinity of the heater.
7. This heater is to be ceiling mounted only using the recessed or surface mounted enclosure as described within this manual.
8. The following minimum clearances must be maintained:
Models 937AF-548A-N, 937AF-542A-N, 937AF-547A-N:
Sides of heater to adjacent wall - 12" (305mm)
Models 937AF-558A-N, 937AF-552A-N, 937AF-557A-N:
Sides of heater to adjacent wall - 24" (610mm)
9. The heater enclosure must be securely mounted to ceiling or framing capable of supporting the heater (45 lbs / 20.4 kg). Failure to do so could allow heater to fall.
10. Do not operate the heater without the grille installed.
11. Do not use this heater for dry out as the paint, plaster, sawdust and drywall sanding dust will permanently damage the heater and must be kept out of the heater.

Both a Heater Section and a Mounting Enclosure are required to complete the installation of this heater.


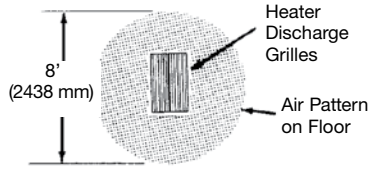
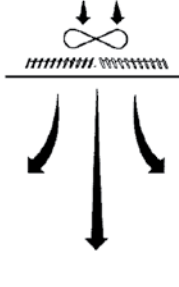
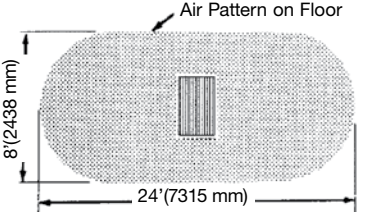
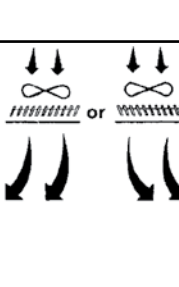
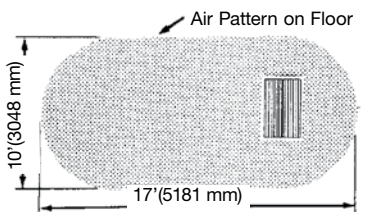
Important Notice - This heater is wired so the fan will come on with no delay when energized as the thermostat is calling for heat. When the thermostat is satisfied, the fan must continue to run until the heater has cooled to a safe temperature. If an external thermostat or controls are to be used, **DO NOT** wire heater so thermostat shuts power to fan. The heater will be damaged and the warranty will be voided. Thermostat must be connected as shown on wiring diagram (Figure 12, page 6) for correct operation.

NOTE: Field wiring must be #10 AWG. min. rated 90°C, min. Wiring Compartment Volume: 252 in³ (4130 cm³)

Adjustable Discharge Grilles Custom Air Flow Patterns

1. The discharge air pattern is determined by the arrangement of the discharge grilles.
2. Care must be taken when selecting location of heater.

NOTE: The discharge grill area is rectangular; the discharge grilles can only be installed parallel to the intake louvers.

Discharge Air Grille Arrangement	Custom Air Flow Pattern
	<p>NARROW AIR PATTERN for high ceiling applications (11'(3352 mm) to 14'(4267 mm)), concentrates the heated air to ensure full penetration to the floor level.</p> 
	<p>WIDE AIR PATTERN for standard ceiling applications (8'(2438 mm) to 10'(3048 mm)), disperses the air to give a gentle, less pronounced pattern while circulating all the air from floor to ceiling.</p> 
	<p>ASYMMETRICAL AIR PATTERN directs heated air in a specific direction, allowing the heater to be located where space allows with the heated air delivered to where it is required.</p> 

Installation of Surface Mounted Heater

1. Determine the desired location of the heater. See warning No. 8 for mounting clearances.
2. Remove the Surface Mounting Plate (Figure 1) from the carton containing the Surface Mounting Enclosure, Type FIE-SEB-N or FIE-SEBNW-W.
3. Remove one of the knockouts close to the ground screw and install a cable or conduit connector (Figure 1).

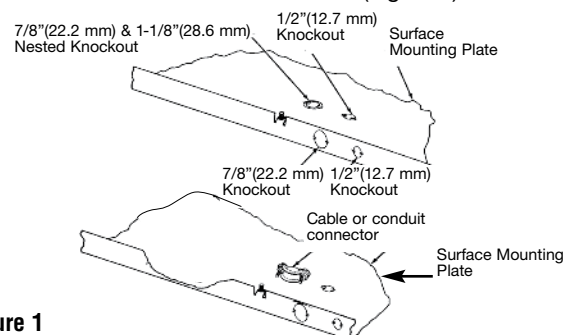


Figure 1

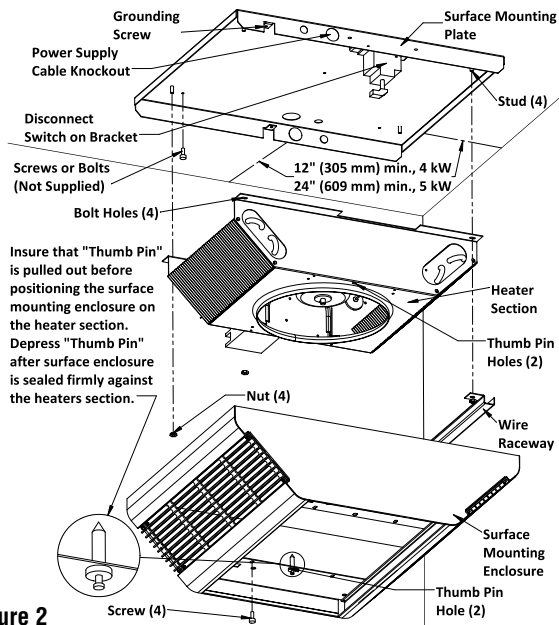


Figure 2

4. Install the optional disconnect switch (if required). Refer to accessory instructions.
5. Run the power supply cable through the connector, leaving about 8" (203 mm) of wire inside the surface mounting plate. (Power supply cable must be # 10 AWG min. rated 90°C min.)
6. Position the surface mounting plate against the ceiling and secure with bolts or screws (Figure 2). See Warning No. 9. Connect the ground wire to the green ground screw on the surface mounting plate.
7. Remove the heater section from its carton.
8. Install optional controls (if required) into the heater section in accordance with the Instruction Sheet packaged with the control.
9. To wire the heater, and/or to convert from single to three-phase voltage, refer to Wiring Diagram (Figure 12, page 6).
10. Position the heater section over the studs on the surface mounting plate (Figure 2).

NOTE: The end of the heater section with the contactor must be positioned at the opposite end of the surface mounting plate where the supply wiring enters.

11. Push the heater section onto the studs and securely tighten two nuts (supplied) on the studs to secure the half of the heater section opposite the sleeved wires to the surface mounting plate. Push the raceway onto the studs ensuring that the sleeved wires are in the raceway and securely tighten two nuts (supplied) on the studs to secure the raceway and the other half of the heater to the surface mounting plate (Figure 2).

WARNING

FAILURE TO INSTALL THE FOUR MOUNTING NUTS COULD RESULT IN THE HEATER FALLING. (SEE FIGURE 2)

12. Remove the Surface Wrapper from the carton containing the Surface Mounting Enclosure, Type FIE-SEB-N or FIE-SEBNW-W.

NOTE: Insure that the "thumb pin" in each end of the discharge grille opening is pulled outward to allow the body of the thumb pins to fit into the holes in the heater section. (Figure 2).

13. Position the surface wrapper over heater section/surface mounting plate, making sure that the thumb pins are in the holes in the heater section.

14. With the surface wrapper seated firmly against the heater section, depress the "thumb pins." This will cause the thumb pins to expand and will temporarily hold the surface wrapper in place.

NOTE: The thumb pins are an aid to help position and hold the surface wrapper during installation. Additional support (step 15) is required.

15. Install and securely tighten four screws (supplied) to secure the surface wrapper to the heater section (Figure 2).

16. Install discharge air grilles. (Refer to "Installation of Discharge Grilles," page 5.)

WARNING

FAILURE TO INSTALL THE FOUR SCREWS, COULD ALLOW THE SURFACE WRAPPER TO FALL. (SEE FIG. 2)

Installation of Recess Mounted Heater in T-Bar Ceiling

The recess mounted heater will mount in any standard 2' x 2' (609 mm x 609 mm) T-Bar (drop) ceiling.

1. Remove the recess mounting box (Figure 3) from the carton containing the Recess Mounting Enclosure, Type FIE-REB-N or FIE-REBNW-W.
2. Remove three screws and the side of the recess mounting box to allow for easier wiring (Figure 3).

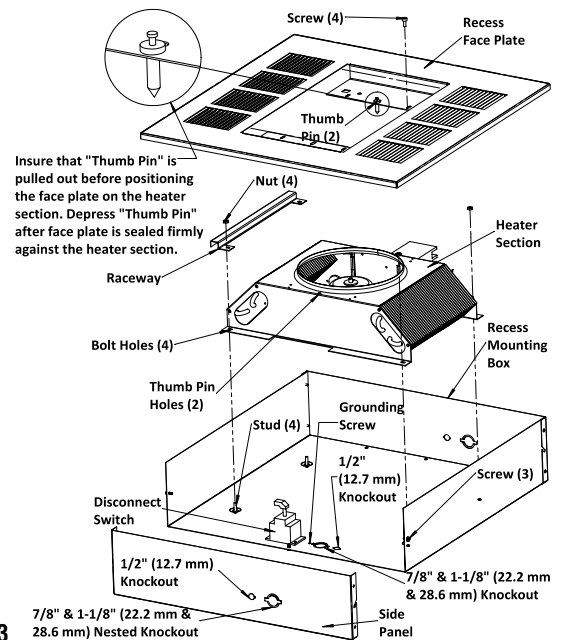


Figure 3

3. Remove one of the knockouts close to the ground screw and install a cable or conduit connector (Figure 3).
4. Install the optional disconnect switch (if required as shown in Figure 3).
5. Remove the heater section from its carton.
6. Install optional controls (if required) into the heater section in accordance with the Instruction Sheet packaged with the control.
7. To wire the heater, and/or to convert from single to three-phase voltage, refer to Wiring Diagram (Figure 12, page 6).
8. Position the heater section over the studs in the recess mounting box (Figure 3).

NOTE: The end of the heater section with the contactor must be positioned at the opposite end of the recess mounting box where the supply wiring enters.

- Push the heater section onto the studs and securely tighten two nuts (supplied) on the studs to secure the half of the heater section opposite the sleeved wires to the recess mounting box. Push the raceway onto the studs ensuring that the sleeved wires are in the raceway and securely tighten two nuts (supplied) on the studs to secure the raceway and the other half of the heater to the recess mounting box (Figure 3).
- Remove the Recess Face Plate (Figure 3) from the carton containing the Recess Mounting Enclosure, Type FIE-REB-N or FIE-REBNW-W.

⚠ WARNING ⚠

FAILURE TO INSTALL THE FOUR MOUNTING NUTS COULD RESULT IN THE HEATER FALLING. (SEE FIG. 2)

NOTE: Insure that the “thumb pin” in each end of the discharge grille opening is pulled outward to allow the body of the thumb pins to fit into the holes in the heater section. (Figure 3.)

- Position the recess face plate over the heater section/recess mounting box, making sure that the thumb pins are in the holes in the heater section.
- With the recess face plate seated firmly against the heater section, depress the “thumb pins.” This will cause the thumb pins to expand and will temporarily hold the recess face plate in place.

NOTE: The thumb pins are an aid to help position and hold the recess face plate during installation. Additional support (Step 13) is required.

- Install and securely tighten four screws (supplied) to secure the recess face plate to the heater section (Figure 3).

⚠ WARNING ⚠

FAILURE TO INSTALL THE FOUR SCREWS, COULD ALLOW THE SURFACE WRAPPER TO FALL. (SEE FIGURE 2)

- Determine the desired location of the heater.
- Position the heater in the T-bar grid (Figure 4) and secure as required. See Warning No. 9.

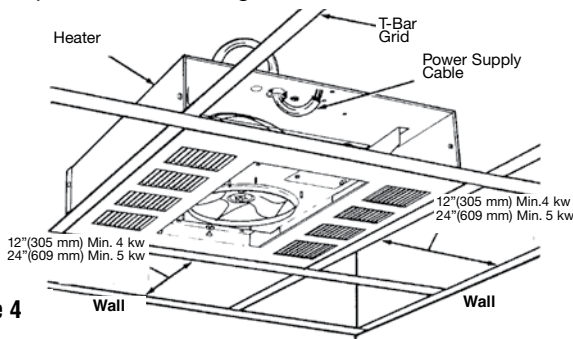


Figure 4

- Run the power supply cable through the connector, leaving about 8” (203 mm) of wire inside the recess mounting box. (Power supply cable must be #10 AWG min. rated 90°C min.)
- Connect the ground wire to the green ground screw on the recess mounting box.
- After wiring is complete, replace and secure the side of the recess mounting box previously removed in Step 2.
- Install discharge air grilles. (Refer to “Installation of Discharge Grilles,” page 5.)

Installation of Recess Mounted Heater in Plaster Ceiling

- Determine the desired location of the heater. See Warning No. 8 For min. Mounting Clearances and Warning NO. 9.
- Cut a 22-1/4” x 22-1/4” (565 mm x 565 mm) mounting hole in the ceiling for the recess mounting box (Figure 5).

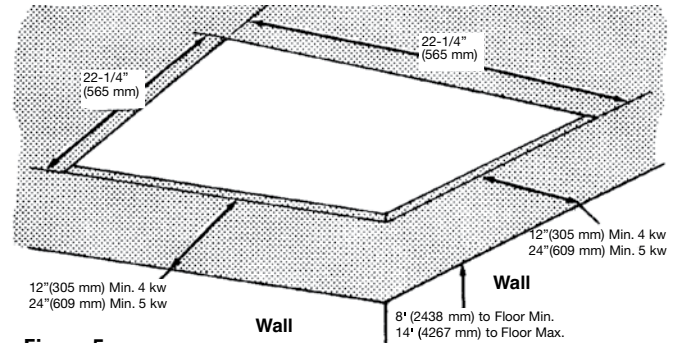


Figure 5

- Remove the Recess Mounting Box (Figure 6) from the carton containing the Recess Mounting Enclosure, Type FIE-REB-N or FIE-REBNW-W.
- Remove one of the knockouts close to the ground screw and install a cable or conduit connector (Figure 6).
- Install the optional disconnect switch (if required). Refer to accessory instructions.

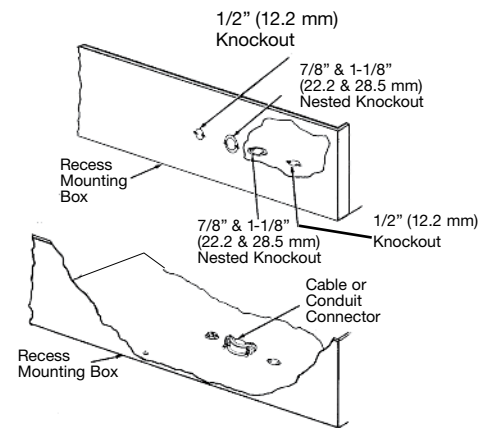


Figure 6

- Run the power supply cable through the connector, leaving about 8” (203 mm) of wire inside the recess mounting box. (Power supply cable must be #10 AWG min. rated 90°C min.)
- Place the recess mounting box in the ceiling opening and align the marks on the sides of the mounting box with the bottom of the finished ceiling (Figure 7). This will position the edge of the mounting box 3/8” (9.5 mm) below the ceiling and will allow the recess face plate to lay flat against the ceiling.
- Secure the recess mounting box to the building structure using a minimum of four fasteners (not supplied).
- Remove the heater section from its carton.
- Install optional controls (if required) into the heater section in accordance with the Instruction Sheet packaged with the control.
- To wire the heater, and/or to convert from single to three-phase voltage, refer to Wiring Diagram (Figure 12, page 6).
- Position the heater section over the studs in the recess mounting box (Figure 8).

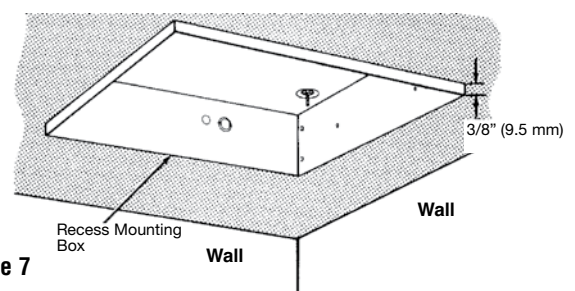


Figure 7

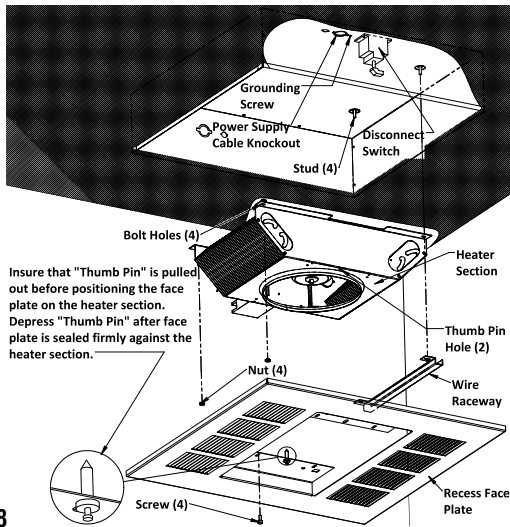


Figure 8

NOTE: The end of the heater section with the contactor must be positioned at the opposite end of the recess mounting box where the supply wiring enters.

13. Push the heater section onto the studs and securely tighten two nuts (supplied) on the studs to secure the half of the heater section opposite the sleeved wires to the recess mounting box. Push the raceway onto the studs ensuring that the sleeved wires are in the raceway and securely tighten two nuts (supplied) on the studs to secure the raceway and the other half of the heater to the recess mounting box (Figure 8).

⚠ WARNING ⚠

FAILURE TO INSTALL THE FOUR MOUNTING NUTS COULD RESULT IN THE HEATER FALLING. (SEE FIG. 2)

14. Connect the ground wire to the green ground screw on the recess mounting box.
15. Remove the recess face plate (Figure 8) from the carton containing the Recess Mounting Enclosure, Type FIE-REB-N or FIE-REBNW-W.
16. Position the recess face plate over the heater section/recess mounting box, making sure that the thumb pins are in the holes in the heater section.

NOTE: The thumb pins are an aid to help position and hold the recess face plate during installation. Additional support (Step 18) is required.

17. With the recess face plate seated firmly against the heater section, depress the “thumb pins.” This will cause the thumb pins to expand and will temporarily hold the recess face plate in place.
18. Install and securely tighten four screws (supplied) to secure the recess face plate to the heater section (Figure 8).
19. Install discharge air grilles. (Refer to “Installation of Discharge Grilles”)

⚠ WARNING ⚠

FAILURE TO INSTALL THE FOUR SCREWS, COULD ALLOW THE SURFACE WRAPPER TO FALL. (SEE FIG. 2)

Installation of Discharge Grilles

1. Remove the two discharge grilles and two louver guides from the enclosure carton.
2. Refer to “Adjustable Discharge Grilles Custom Air Flow Patterns” section, page 2 to determine desired air flow direction.

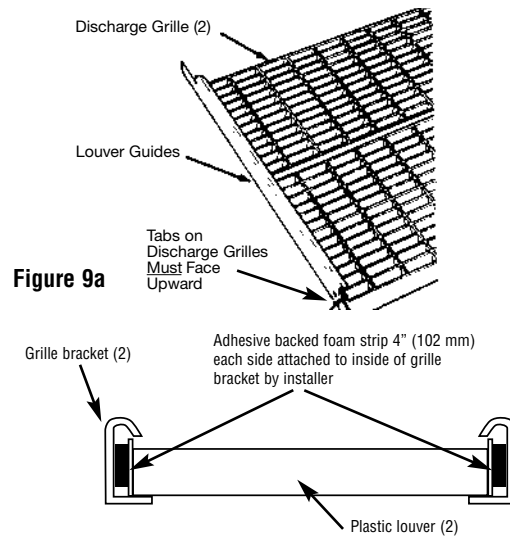


Figure 9a

Figure 9b

NOTE: Foam strips are provided for the customer/installer to use if air movement of the louvers becomes a problem.

3. Place the two discharge grilles onto a flat surface in the desired configuration with tabs on each end of grilles upward.
4. Fit the two louver guides over the two discharge grilles as shown in Figure 9a.

Note: Adhesive backed foam strips are included to be attached to inside of the grille bracket as shown in Figure 9b if air movement of the louvers becomes a problem.

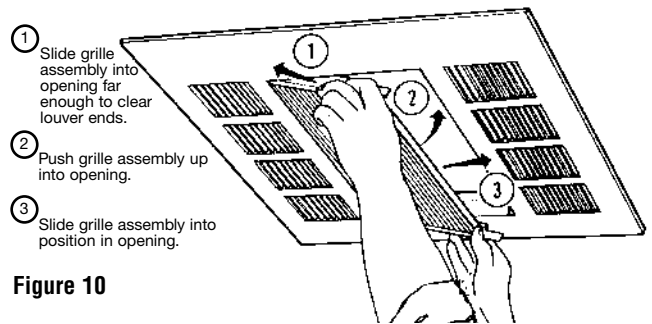


Figure 10

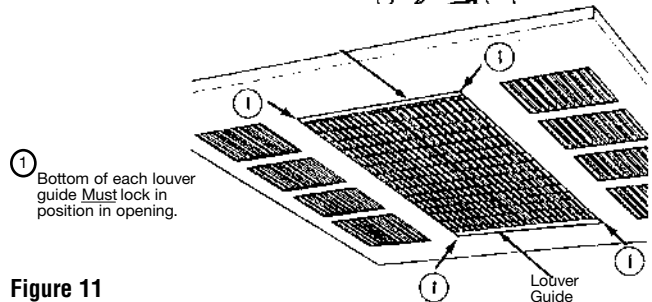


Figure 11

5. While holding the assembly together with both hands, fit one side of assembly into the opening of the enclosure, and slide this side inward while fitting the opposite side into the enclosure. (See Figure 10.) Slide the assembly into position so that the bottom portion of each guide locks into the opening.

⚠ WARNING ⚠

TO PREVENT THE DISCHARGE GRILLE GUIDES FROM FALLING, THE GUIDES MUST BE FITTED (LOCKED) IN POSITION AS SHOWN IN FIGURE 11.

Wiring

Field Conversion for Lower Wattage Rating

To convert the heater to a lower wattage rating, completely remove one(1) red jumper wire from one heating element for 25% wattage reduction. Completely remove two (2) red jumper wires for a 50% wattage reduction. Discard the jumper(s). Be sure the remaining wires are securely connected. See Figure 12.

Conversion for 3Ø Installation

Heater is factory wired for connection to 1Ø only. To convert to 3Ø, remove and discard blue jumper wire between L1 & L3. See Fig. 12.

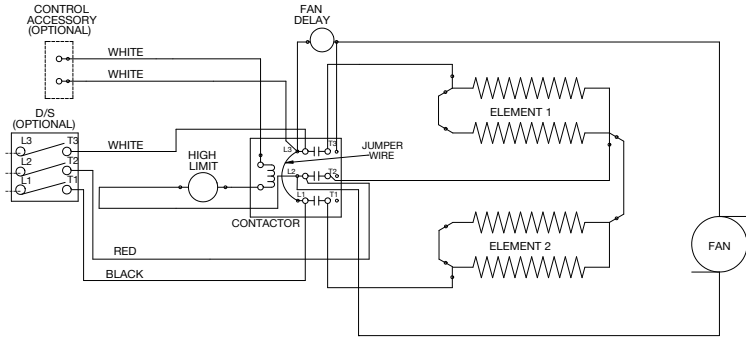
Important Notice - This heater is wired so the fan will come on with no delay when energized as the thermostat is calling for heat. When the thermostat is satisfied, the fan must continue to run until the heater has cooled to a safe temperature. If an external thermostat or controls are to be used, **DO NOT** wire heater so thermostat shuts power to fan. The heater will be damaged and the warranty will be voided. Thermostat must be connected as shown on wiring diagram (Figure 12) for correct operation.

NOTE: Field wiring must be #10 AWG. min. rated 90°C. min. Wiring Compartment Volume: 252 in³ (4130 cm³)

Figure 12: Wiring Diagrams

Standard Wiring Diagram (Factory Wired)

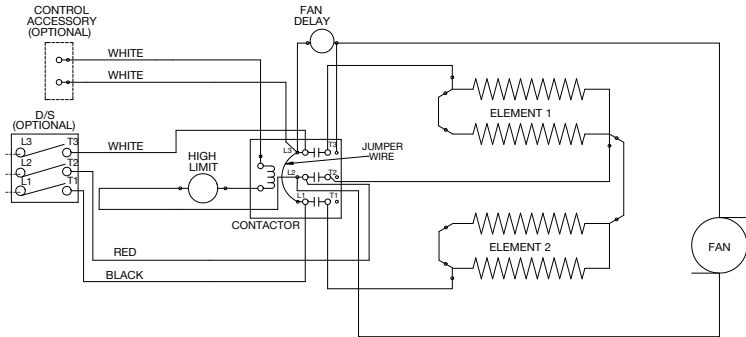
* See Note



*NOTE: Field wire goes from L1 and L2 of the contactor to T1 and T2 of DS for 1Ø

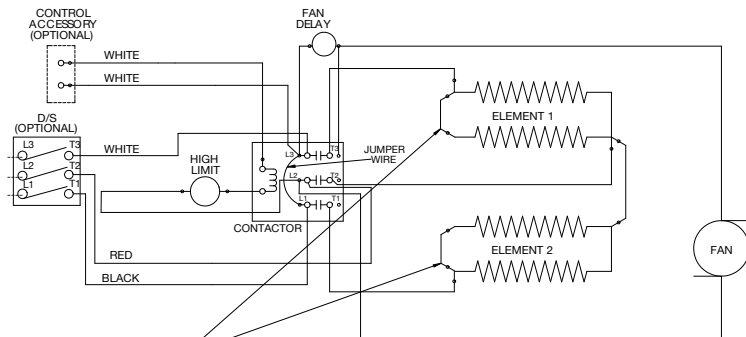
Wiring Conversion For 3Ø Installation

* See Note



*NOTE: Heater is wired for connection to 1Ø only. To wire 3Ø: completely remove jumper wire between L1 and L3 on the contactor. Wire from the contactor L1, L2, and L3 directly to DS T1, T2 and T3

Wiring Conversion To Lower Wattage (1Ø)



REMOVE ONE (1) RED ELEMENT JUMPER TO OBTAIN 3/4 NAMEPLATE WATTAGE

To convert the heater to a lower wattage rating, completely remove one(1) red jumper wire from one heating element for 25% wattage reduction. Completely remove two (2) red jumper wires for a 50% wattage reduction. Discard the jumper(s). Be sure the remaining wires are securely connected.

OPERATING INSTRUCTIONS

1. Heater must be properly installed before operation.
2. Turn power supply to heater "ON" at main switch panel.
3. Set the thermostat (internal or remote) to highest setting. This will energize the heating elements and the fan causing air to flow from the center of the heater.
4. After the operational check, set the thermostat to obtain the desired comfort level.

NOTE: Heater contains a fan delay on shut down. The fan energizes immediately when the thermostat turns on the elements. Fan will operate for a short time after the heating elements are turned off (approx. 1min.)

NOTE: For best results, the heater should be left "ON" constantly during the heating season as the thermostat, when properly set, will maintain the desired temperature. In the full counter-clockwise position the heater will remain off until the room temperature drops well below freezing.

Operational Notice:

Your heater is equipped with an automatic reset over-temperature limit control that will automatically turn the heater off to prevent a fire if the heater overheats.

WARNING

DO NOT TAMPER WITH OR BYPASS ANY SAFETY LIMITS INSIDE HEATER.

CAUTION

CAUTION - DO NOT CONTINUE TO ATTEMPT TO USE THE HEATER IF THE SAFETY CONTROL REPEATEDLY OPERATES AFTER BEING RESET. TO DO SO COULD PERMANENTLY DAMAGE THE HEATER OR CREATE A FIRE OR SAFETY HAZARD.

It is important to keep this heater clean. Your heater will give you years of service and comfort with only minimum care. To assure efficient operation follow the simple instructions below.

WARNING

ALL SERVICING BEYOND SIMPLE CLEANING THAT REQUIRES DISASSEMBLY SHOULD BE PERFORMED BY QUALIFIED SERVICE PERSONNEL.

WARNING

TO REDUCE RISK OF FIRE AND ELECTRIC SHOCK OR INJURY, DISCONNECT ALL POWER COMING TO HEATER AT MAIN SERVICE PANEL AND CHECK THAT THE ELEMENT IS COOL BEFORE SERVICING OR PERFORMING MAINTENANCE.

User Cleaning Instructions:

1. After the heater has cooled, a vacuum cleaner with brush attachment may be used to remove dust and lint from exterior surfaces of the heater including the grille openings.
2. With a damp cloth, wipe dust and lint from grille and exterior surfaces.

3. Return power to heater and check to make sure it is operating properly.

Maintenance Cleaning Instructions:

(To be performed only by Qualified Service Personnel)

At least annually, the heater should be cleaned and serviced by a qualified service person to assure safe and efficient operation. This should include the removal of the grille and, as necessary the heater from the backbox to clean residue from the unit. After completing the cleaning and servicing, the heater should be fully reassembled and checked for proper operation.

MAINTENANCE INSTRUCTIONS

It is important to keep this heater clean. Clean your heater at least annually or as needed. Your heater will give you years of service and comfort with only minimum care. To assure efficient operation follow the simple instructions below.

WARNING

ALL SERVICING BEYOND SIMPLE CLEANING THAT REQUIRES DISASSEMBLY SHOULD BE PERFORMED BY QUALIFIED SERVICE PERSONNEL.

WARNING

TO REDUCE RISK OF FIRE AND ELECTRIC SHOCK OR INJURY, DISCONNECT ALL POWER COMING TO HEATER AT MAIN SERVICE PANEL AND CHECK THAT THE ELEMENT IS COOL BEFORE SERVICING OR PERFORMING MAINTENANCE.

User Cleaning Instructions:

1. After the heater has cooled, a vacuum cleaner with brush attachment may be used to remove dust and lint from exterior surfaces of the heater including the grille openings.
2. With a damp cloth, wipe dust and lint from grille and exterior surfaces.
3. Return power to heater and check to make sure it is operating properly.

Maintenance Cleaning Instructions:

(To be performed only by Qualified Service Personnel)

At least annually, the heater should be cleaned and serviced by a qualified service person to assure safe and efficient operation. This should include the removal of the grille and, as necessary the heater from the backbox to clean residue from the unit. After completing the cleaning and servicing, the heater should be fully reassembled and checked for proper operation.

LIMITED WARRANTY

All products manufactured by ASPEQ Heating Group are warranted against defects in workmanship and materials for one year from the date of purchase, except heating elements which are warranted against defects in workmanship and materials for five years from date of purchase. This warranty does not apply to damage from accident, misuse, or alteration; nor where the connected voltage is more than 5% above the nameplate voltage; nor to equipment improperly installed or wired or maintained in violation of the product's installation instructions. This warranty does not apply to refurbished products. All claims for warranty work must be accompanied by proof of the date of purchase.

The customer shall be responsible for all costs incurred in the removal or reinstallation of products, including labor costs, and shipping costs incurred to return products to ASPEQ Heating Group. Within the limitations of this warranty, inoperative units should be returned to ASPEQ Heating Group, and we will repair or replace, at our option, at no charge to you with return freight paid by ASPEQ. It is agreed that such repair or replacement is the exclusive remedy available from ASPEQ Heating Group.

THE ABOVE WARRANTIES ARE IN LIEU OF ALL OTHER WARRANTIES EXPRESSED OR IMPLIED, AND ALL IMPLIED WARRANTIES OF MERCHANTABILITY AND FITNESS FOR A PARTICULAR PURPOSE WHICH EXCEED THE AFORESAID EXPRESSED WARRANTIES ARE HEREBY DISCLAIMED AND EXCLUDED FROM THIS AGREEMENT. ASPEQ HEATING GROUP SHALL NOT BE LIABLE FOR CONSEQUENTIAL DAMAGES ARISING WITH RESPECT TO THE PRODUCT, WHETHER BASED UPON NEGLIGENCE, TORT, STRICT LIABILITY, OR CONTRACT.

Some states do not allow the exclusion or limitation of incidental or consequential damages, so the above exclusion or limitation may not apply to you. This warranty gives you specific legal rights, and you may have other rights which vary from state to state.

Contact ASPEQ Heating Group in St Louis, MO, at 314-333-5550. Merchandise returned to the factory must be accompanied by a return authorization and service identification tag, both available from ASPEQ Heating Group. When requesting return authorization, include all catalog numbers shown on the products.

HOW TO OBTAIN WARRANTY SERVICE AND WARRANTY PARTS PLUS GENERAL INFORMATION

1. Warranty Service or Parts **314-333-5550**
2. General Product Information **www.aspeqheating.com**

Note: When obtaining service always have the following:

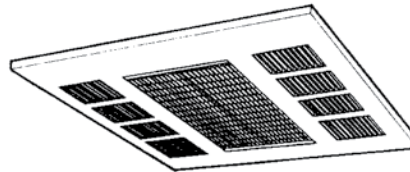
1. Model number of the product
2. Date of manufacture
3. Part number or description

ASPEQ
HEATING GROUP
St Louis, MO 63144 USA

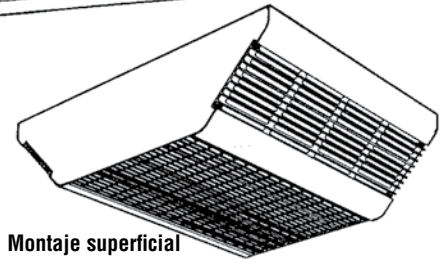
ASPEQ

HEATING GROUP

Calefactor con ventilador para montaje en el cielorraso Serie 937



Montaje empotrado



Montaje superficial



Instrucciones de instalación, operación y mantenimiento

Tabla 1. Especificaciones

N.º Cat.	Kw ¹	BTU/h. (600)	Tensión (volts)	Fases ²	Corriente (A) ³	Caudal de aire (cfm)	°F (°C) ⁴
937AF-548A-N 937AF-542A-N 937AF-547A-N	4/3/2	13.7/10.2/6.8	208 240 277	1-3 1-3 1	19.2/14.4/9.6 16.7/12.5/8.3 14.5/10.8/7.2	300 (141,5 dm ³ /s)	42 (23,3)
937AF-558A-N 937AF-552A-N 937AF-557A-N	5/3.8/2.5	17.2/13.0/8.5	208 240 277	1-3 1-3 1	24.0/18.2/12.0 20.8/15.8/10.4 18.1/13.7/9.0	300 (141,5 dm ³ /s)	45 (25)
FIE-SEB-N FIE-SEBNW-W	Gabinete para montaje superficial, para usar con las secciones de calefactor indicadas arriba. Dim.: 20" (508 mm) L x 16-1/2" (419 mm) A x 5-3/4" (146 mm) P.						
FIE-REB-N FIE-REBNW-W	Gabinete para montaje empotrado, para usar con las secciones de calefactor indicadas arriba. Dim.: 23-3/4" (603 mm) L x 23-3/4" (603 mm) A x 7" (177 mm) P.						

Acc.	Juegos instalados en el sitio
FIT-500T-Z	Termostato un polo, una vía (SPST) - Gama de temperaturas: 40 a 95 °F (4 a 35 °C).
FIR-24R-Z	Relé (Retardo de tiempo 45 - 60 s para cerrar cuando se lo energiza), requiere una fuente de alimentación remota de 24 volts.
FIR-FR12-Z	Relé (Retardo de tiempo 45 - 60 s para cerrar cuando se lo energiza), requiere una fuente de alimentación remota de 120 volts.
FIS-DS-Z	Interruptor de desconexión (3 polos) 30 A, 600 volts, 1Ø, 60 Hz.
FIK-TK-N	Anillo de ajuste para montaje en cielorraso permanente (no puede instalarse en fábrica).
FIR-FTR4-Z	Transformador, primario 208/240 V / secundario 24 V, y relé de control con bobina de retención de 24 V.
FIR-FTR7-Z	Transformador, primario 277 V / secundario 24 V, y relé de control con bobina de retención de 24 V.
TIK-SSP-Z	Termostato digital - 0.5A; 24VCA; Carga máxima = 89 VA

¹ Cableado en fábrica para la potencia (watts) más alta, convertible en el sitio a potencias (watts) menores.

² Cableado en fábrica para conexión monofásica (1Ø), convertible en el sitio a trifásica (3Ø).

³ En unidades duales (monofásicas / trifásicas) se indica la corriente máxima.

⁴ Diferencia de temperatura a la potencia nominal más alta.

INSTRUCCIONES IMPORTANTES



ADVERTENCIA



AL UTILIZAR ARTEFACTOS ELÉCTRICOS, PARA REDUCIR EL RIESGO DE INCENDIO, CHOQUE ELÉCTRICO Y LESIONES PERSONALES DEBEN OBSERVARSE SIEMPRE ALGUNAS PRECAUCIONES BÁSICAS, COMO LAS SIGUIENTES:

1. Lea todas las instrucciones antes de instalar o utilizar este calefactor.
2. Cuando está en funcionamiento, el calefactor está muy caliente. Para evitar quemaduras, no deje que su piel haga contacto directo con las superficies calientes. Mantenga los materiales combustibles como muebles, almohadas, ropas de cama, papeles, ropas, cortinas, etc. a 0.9 m (3 pies) como mínimo del frente del calefactor.
3. Se necesita extremo cuidado al utilizar cualquier calefactor junto a o cerca de niños o inválidos, y en todo momento en que el calefactor quede funcionando y desatendido.
4. No opere ningún calefactor después de que haya tenido una falla de funcionamiento. Desconecte la alimentación eléctrica en el tablero de servicio y haga revisar el calefactor por un electricista calificado antes de usarlo.
5. No use el equipo en exteriores.
6. Para desconectar el calefactor, lleve los controles a la posición Apagado (OFF) y desconecte la alimentación del circuito del calefactor en el tablero de desconexión principal.
7. No inserte ni permita que entren objetos extraños en ninguna abertura de ventilación o de descarga, porque esto puede ser causa de choque eléctrico, incendio o daño al calefactor.
8. Para evitar un posible incendio, no bloquee de ningún modo la entrada ni la descarga de aire.
9. Un calefactor tiene en su interior piezas calientes, y piezas en las que se producen arcos o chispas. No lo utilice en áreas en las que se utilice o almacene gasolina, pintura o líquidos inflamables.
10. Utilice este calefactor únicamente de la manera descrita en este manual. Cualquier otra forma de uso no recomendada por el fabricante puede ser causa de incendio, choque eléctrico o daños personales.
11. Este calefactor está destinado a aplicaciones de calefacción ambiental, y no es para utilizar en ambientes especiales. No lo use en lugares húmedos o mojados como zonas marítimas o invernaderos, ni en áreas en las que estén presentes agentes químicos o corrosivos.
12. Al realizar la instalación, vea las advertencias y precauciones adicionales en las INSTRUCCIONES DE INSTALACIÓN.
13. Para garantizar una operación segura y eficiente, y para extender la vida útil de su calefactor, manténgalo limpio. Vea las INSTRUCCIONES DE MANTENIMIENTO.

ESTE CALEFACTOR ES PARA USO COMERCIAL ÚNICAMENTE, NO PARA USO RESIDENCIAL

GUARDE ESTAS INSTRUCCIONES

INSTRUCCIONES DE INSTALACIÓN

⚠️ ADVERTENCIA ⚠️

Para evitar un posible incendio, lesiones personales o daños al calefactor, observe lo siguiente:

1. Antes de proceder a tareas de conexión o de reparación del calefactor, desconecte toda la alimentación eléctrica que llega al mismo desde el tablero principal de servicio.
2. Todos los procedimientos de cableado y conexiones deben hacerse de conformidad con los códigos nacionales y locales que tengan jurisdicción, y el calefactor debe estar conectado a tierra.
3. La alimentación eléctrica debe ingresar a la caja posterior a través de los prepunzonados.
4. Verifique que la tensión de alimentación provista al calefactor coincida con la tensión nominal indicada en la placa de características del mismo.

ATENCIÓN: SI SE ENERGIZA UN CALEFACTOR CON UNA TENSIÓN MAYOR QUE EL VALOR DE TENSIÓN IMPRESO EN LA PLACA DE CARACTERÍSTICAS, SE DAÑARÁ EL CALEFACTOR, SE ANULARÁ LA GARANTÍA, Y PODRÍA PRODUCIRSE UN INCENDIO.

5. **ATENCIÓN:** alta temperatura, riesgo de incendio. Mantenga los cables eléctricos, cortinados, muebles y otros elementos combustibles a 0.9 m (3 pies) como mínimo del frente del calefactor. No instale el calefactor detrás de puertas, debajo de toalleros, ni en un área en la que esté sujeto a bloqueo por muebles, cortinas o materiales almacenados. El aire caliente que sale del calefactor puede dañar algunas telas y plásticos.
6. Para reducir el riesgo de incendio, no almacene ni use gasolina u otros vapores y líquidos inflamables en las cercanías del calefactor.
7. Este calefactor debe montarse en el cielorraso únicamente. Debe usarse el gabinete de montaje empotrado o de montaje superficial como se describe en este manual.
8. Deben mantenerse las distancias mínimas que se indican a continuación:
Modelos 937AF-548A-N, 937AF-542A-N, 937AF-547A-N:
de los costados del calefactor a la pared adyacente: 12" (305mm)
Modelos 937AF-558A-N, 937AF-552A-N, 937AF-557A-N:
de los costados del calefactor a la pared adyacente: 24" (610mm)
9. El gabinete del calefactor debe montarse firmemente en el cielorraso o un armazón capaz de sostener al calefactor (45 lb / 20.4 kg). En caso contrario, el calefactor podría caer.
10. No haga funcionar el calefactor sin haber instalado la rejilla.
11. No utilice este calefactor para fines de secado, ya que la pintura, el yeso, el aserrín y el polvo proveniente del lijado de paredes secas provocarán daños permanentes al calefactor, por lo que no deben entrar al mismo.

Para la instalación completa de este calefactor se necesita una sección calefactora y un gabinete de montaje.

Aviso importante: este calefactor está cableado de manera que el ventilador se encienda sin retardo al energizarse, siempre que el termostato requiera calor. Cuando se satisface la demanda del termostato, el ventilador debe continuar funcionando hasta que el calefactor se haya enfriado a una temperatura segura. Si se va a utilizar controles o un termostato externo, NO cablee el calefactor de modo que el termostato desconecte la alimentación del ventilador. El ventilador sufrirá daños y la garantía se anulará. El termostato debe conectarse como se muestra en el diagrama de conexión (Figura 12, página 6) para que su funcionamiento sea correcto.

NOTA: los cables del conexionado del sitio deben ser de calibre #10 AWG como mínimo y con una especificación de temperatura de 90° C como mínimo. Volumen del compartimiento de cables = 252 pulg.³ (4130 cm³).

Patrones de circulación de aire especiales de las rejillas de descarga ajustables

1. El patrón de circulación de aire de descarga está determinado por la disposición de las rejillas de descarga.
2. Debe tenerse cuidado al seleccionar la ubicación del calefactor.

NOTA: el área de las rejillas de descarga es rectangular; las rejillas pueden instalarse únicamente en dirección paralela a las celosías de entrada.

Disposición de las rejillas del aire de descarga	Patrones de circulación de aire especiales
	<p>El PATRÓN DE AIRE ANGOSTO para aplicaciones en cielorrasos altos, de 11' (3352 mm) a 14' (4267 mm), concentra el aire calentado para asegurar una penetración total a nivel del piso.</p> <p>Rejillas de descarga del calefactor Patrón de aire en el piso</p>
	<p>El PATRÓN DE AIRE ANCHO para aplicaciones en cielorrasos de altura estándar, de 8' (2438 mm) a 10' (3048 mm), dispersa el aire para generar un patrón más suave, menos pronunciado, a la vez que hace circular todo el aire del piso al cielorraso.</p> <p>Patrón de aire en el piso</p>
	<p>El PATRÓN DE AIRE ASIMÉTRICO impulsa el aire calentado en una dirección específica, lo que permite ubicar el calefactor allí donde el espacio lo permita y distribuir el aire calentado a donde sea necesario.</p> <p>Patrón de aire en el piso</p>

Instalación del calefactor de montaje superficial

1. Determine la ubicación deseada del calefactor. Vea los espacios libres de montaje en la Advertencia n.º 8.
2. Extraiga la placa de montaje superficial (Figura 1) de la caja que contiene el gabinete de montaje superficial tipo FIE-SEB-N o FIE-SEBNW-W.
3. Retire uno de los troqueles que están cerca del tornillo de puesta a tierra e instale un conector de cables o conductos (Figura 1).

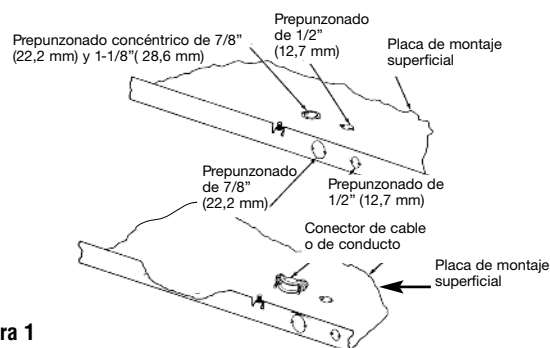


Figura 1

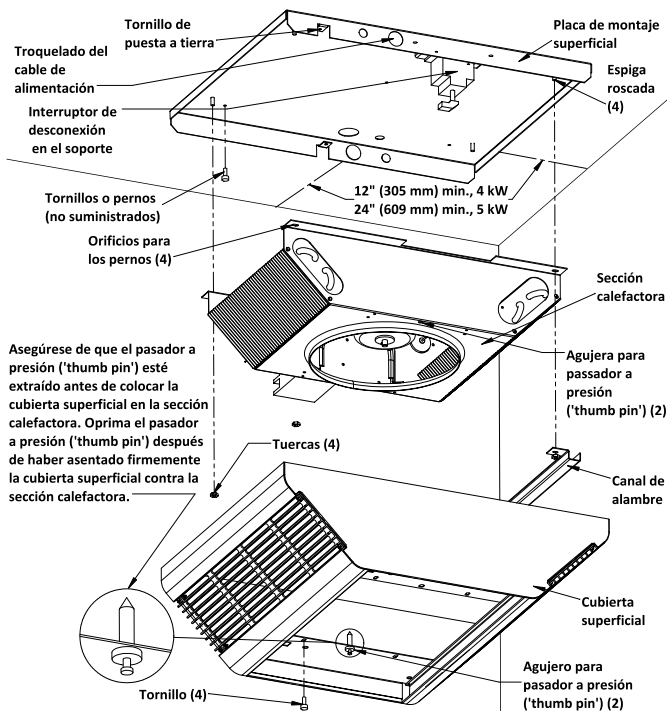


Figura 2

- Instale el interruptor de desconexión opcional (si fuera necesario). Consulte las instrucciones de accesorios.
- Tienda el cable de alimentación eléctrica a través del conector, dejando alrededor de 203 mm (8") de cable dentro de la placa de montaje superficial. (El cable de alimentación eléctrica debe ser de calibre #10 AWG como mínimo y con una especificación de temperatura de 90° C como mínimo).
- Posicione la placa de montaje superficial contra el cielorraso y asegúrela con pernos o tornillos (Figura 2). Vea la Advertencia n.º 9. Conecte el cable de puesta a tierra al tornillo verde de tierra de la placa de montaje superficial.
- Extraiga la sección calefactora de su caja.
- Instale los controles opcionales (si fueran necesarios) en la sección calefactora, de acuerdo con la hoja de instrucciones que acompaña a cada control.
- Para cablear el calefactor y/o para convertirlo de alimentación monofásica a trifásica, consulte el diagrama de conexionado (Figura 12, página 14).
- Posicione la sección calefactora sobre las espigas roscadas de la placa de montaje superficial (Figura 2).

NOTA: El extremo de la sección del calefactor que tiene el contactor debe estar ubicado en el extremo opuesto de la placa de montaje en superficie donde entran los cables de alimentación.

- Empuje la sección del calefactor contra los pernos y coloque dos tuercas (incluidas) en los pernos para sujetar la mitad de la sección del calefactor opuesta a los cables enfundados a la placa de montaje en superficie. Empuje el cablecanal contra los pernos asegurándose de que los cables enfundados queden adentro del cablecanal y coloque dos tuercas (incluidas) en los pernos para sujetar el cablecanal y la otra mitad del calefactor a la placa de montaje en superficie. (Figura 2).

⚠ ADVERTENCIA ⚠

SI NO SE INSTALAN LAS CUATRO TUERCAS DE MONTAJE, EL CALEFACTOR PODRÍA CAER (VEA LA FIGURA 2).

- Extraiga la cubierta superficial de la caja que contiene el gabinete de montaje superficial tipo FIE-SEB-N o FIE-SEBNW-W.

NOTA: asegúrese de que el pasador a presión ('thumb pin') de cada extremo de la abertura de la rejilla de descarga esté extraído, para permitir que el cuerpo de estos pasadores encaje en los agujeros de la sección calefactora (Figura 2).

- Posicione la cubierta superficial sobre la sección calefactora/placa de montaje superficial; asegúrese de que los pasadores a presión ('thumb pins') estén en los agujeros de la sección calefactora.

- Con la cubierta superficial asentada firmemente contra la sección calefactora, oprima los pasadores. Esto hará que los pasadores se expandan y sostendrá temporalmente la cubierta superficial en su posición.

NOTA: los pasadores a presión ('thumb pins') están para ayudar a posicionar y sostener la cubierta superficial durante la instalación. Se requiere un soporte adicional (Paso 15).

- Instale y apriete firmemente los cuatro tornillos (suministrados) para asegurar la cubierta superficial a la sección calefactora (Figura 2).
- Instale las rejillas de aire de descarga. (Consulte 'Instalación de las rejillas de descarga', página 13).

⚠ ADVERTENCIA ⚠

SI NO SE INSTALAN LOS CUATRO TORNILLOS, LA CUBIERTA SUPERFICIAL PODRÍA CAER (VEA LA FIG. 2).

Instalación del calefactor con montaje empotrado en un cielorraso con perfiles 'T'

El calefactor con montaje empotrado se monta en cualquier cielorraso (suspendido) con perfiles 'T' estándar de 2' x 2' (609 mm x 609 mm).

- Extraiga la caja de montaje empotrado (Figura 3) de la caja que contiene el gabinete de montaje empotrado tipo FIE-REB-N or FIE-REBNW-W.
- Quite los tres tornillos y el costado de la caja de montaje empotrado para facilitar el conexionado (Figura 3).

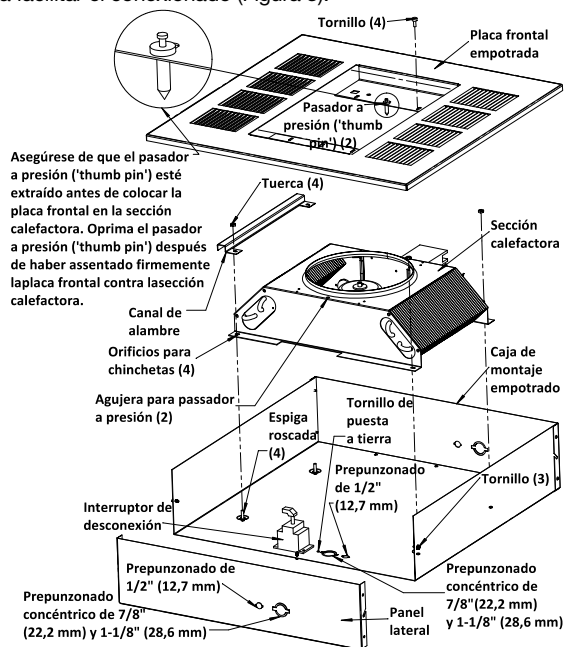


Figura 3

- Retire uno de los troqueles que están cerca del tornillo de puesta a tierra e instale un conector de cables o conductos (Figura 3).
- Instale el interruptor de desconexión opcional (si fuera necesario) como se indica en la Figura 3.
- Extraiga la sección calefactora de su caja.
- Instale los controles opcionales (si fueran necesarios) en la sección calefactora, de acuerdo con la hoja de instrucciones que acompaña a cada control.
- Para cablear el calefactor y/o para convertirlo de alimentación monofásica a trifásica, consulte el diagrama de conexionado (Figura 12, página 14).
- Posicione la sección calefactora sobre las espigas roscadas de la caja de montaje empotrado (Figura 3).

NOTA: El extremo de la sección del calefactor que tiene el contactor debe estar ubicado en el extremo opuesto de la caja empotrable donde entran los cables de alimentación.

- Empuje la sección del calefactor contra los pernos y coloque dos tuercas (incluidas) en los pernos para sujetar la mitad de la sección del calefactor opuesta a los cables enfundados a la caja empotrable. Empuje el cablecanal contra los pernos asegurándose de que los cables enfundados queden adentro del cablecanal y coloque dos tuercas (incluidas) en los pernos para sujetar el cablecanal y la otra mitad del calefactor a la caja empotrable. (Figura 3).
- Extraiga la placa frontal empotrada (Figura 3) de la caja que contiene el gabinete de montaje empotrado tipo FIE-REB-N or FIE-REBNW-W.

SI NO SE INSTALAN LAS CUATRO TUERCAS DE MONTAJE, EL CALEFACTOR PODRÍA CAER (VEA LA FIG. 2).

NOTA: asegúrese de que el pasador a presión ('thumb pin') de cada extremo de la abertura de la rejilla de descarga esté extraído, para permitir que el cuerpo de estos pasadores encaje en los agujeros de la sección calefactora (Figura 3).

- Posicione la placa frontal empotrada sobre la sección calefactora/caja de montaje empotrado; asegúrese de que los pasadores a presión ('thumb pins') estén en los agujeros de la sección calefactora.
- Con la placa frontal empotrada asentada firmemente contra la sección calefactora, oprima los pasadores. Esto hará que los pasadores se expandan y sostendrá temporalmente la placa frontal empotrada en su posición.

NOTA: los pasadores a presión ('thumb pins') están para ayudar a posicionar y sostener la placa frontal empotrada durante la instalación. Se requiere un soporte adicional (Paso 13).

- Instale y apriete firmemente los cuatro tornillos (suministrados) para asegurar la placa frontal empotrada a la sección calefactora (Figura 3).

⚠ ADVERTENCIA ⚠

SI NO SE INSTALAN LOS CUATRO TORNILLOS, LA CUBIERTA SUPERFICIAL PODRÍA CAER (VEA LA FIGURA 2).

- Determine la ubicación deseada del calefactor.
- Coloque el calefactor en el armazón de perfiles 'T' (Figura 4) y asegúrelo como sea necesario. Vea la Advertencia n.º 9.

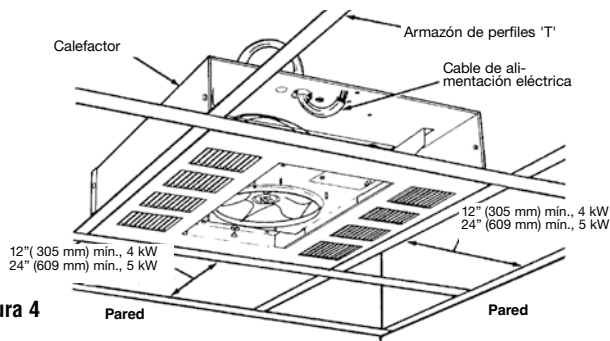


Figura 4

- Tienda el cable de alimentación eléctrica a través del conector, dejando alrededor de 203 mm (8") de cable dentro de la caja de montaje empotrado. (El cable de alimentación eléctrica debe ser de calibre #10 AWG como mínimo y con una especificación de temperatura de 90° C como mínimo).
- Conecte el cable de puesta a tierra al tornillo verde de tierra de la caja de montaje empotrado.
- Después de finalizar el cableado, vuelva a colocar y asegure el costado de la caja de montaje empotrado que se quitó previamente en el Paso 2.
- Instale las rejillas de aire de descarga. (Consulte 'Instalación de las rejillas de descarga', página 13).

Instalación del calefactor con montaje empotrado en un cielorraso de yeso

- Determine la ubicación deseada del calefactor. Vea la Advertencia n.º 8 (espacios libres de montaje) y la Advertencia n.º 9.

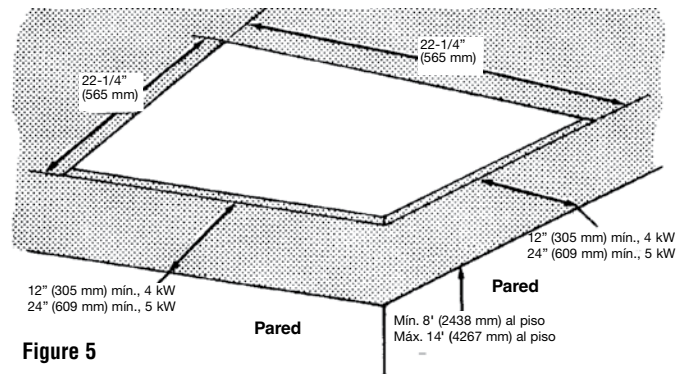


Figura 5

- Corte un agujero de montaje de 22-1/4" x 22-1/4" (565 mm x 565 mm) en el cielorraso para la caja de montaje empotrado (Figura 5).
- Extraiga la caja de montaje empotrado (Figura 6) de la caja que contiene el gabinete de montaje empotrado tipo FIE-REB-N or FIE-REBNW-W.
- Retire uno de los troqueles que están cerca del tornillo de puesta a tierra e instale un conector de cables o conductos (Figura 6).
- Instale el interruptor de desconexión opcional (si fuera necesario). Consulte las instrucciones de accesorios.

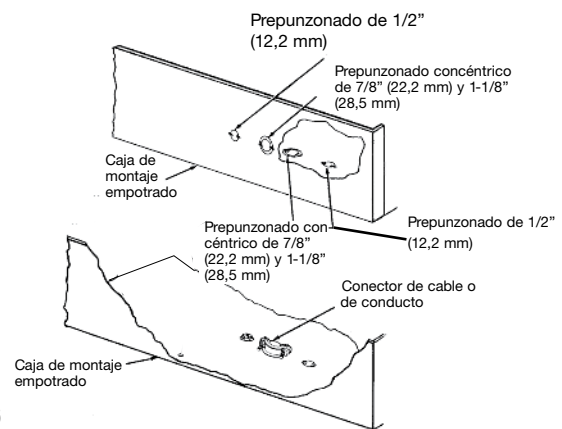


Figura 6

- Tienda el cable de alimentación eléctrica a través del conector, dejando alrededor de 203 mm (8") de cable dentro de la caja de montaje empotrado. (El cable de alimentación eléctrica debe ser de calibre #10 AWG como mínimo y con una especificación de temperatura de 90° C como mínimo).
- Coloque la caja de montaje empotrado en la abertura del cielorraso y alinee las marcas de los costados de la caja de montaje con el fondo del cielorraso terminado (Figura 7). Esto posicionará el borde de la caja de montaje 3/8" (9.5 mm) por debajo del cielorraso y permitirá que la placa frontal empotrada quede colocada de plano contra el cielorraso.
- Asegure la caja de montaje empotrada a la estructura del edificio por medio de cuatro sujetadores (no suministrados) como mínimo.
- Extraiga la sección calefactora de su caja.
- Instale los controles opcionales (si fueran necesarios) en la sección calefactora, de acuerdo con la hoja de instrucciones que acompaña a cada control.
- Para cablear el calefactor y/o para convertirlo de alimentación monofásica a trifásica, consulte el diagrama de conexión (Figura 12, página 14).
- Posicione la sección calefactora sobre las espigas roscadas de la caja de montaje empotrado (Figura 8).

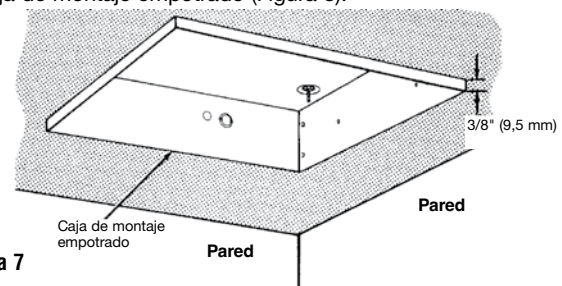


Figura 7

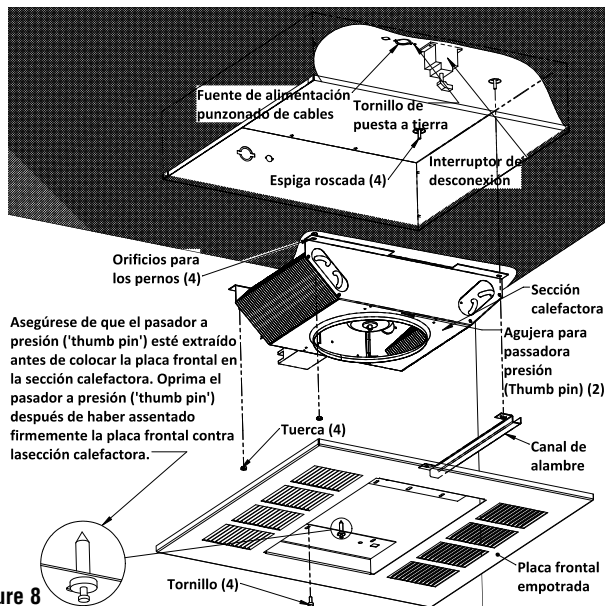


Figure 8

NOTA: El extremo de la sección del calefactor que tiene el contactor debe estar ubicado en el extremo opuesto de la caja empotrable donde entran los cables de alimentación

- Empuje la sección del calefactor contra los pernos y coloque dos tuercas (incluidas) en los pernos para sujetar la mitad de la sección del calefactor opuesta a los cables enfundados a la caja empotrable. Empuje el cablecanal contra los pernos asegurándose de que los cables enfundados queden adentro del cablecanal y coloque dos tuercas (incluidas) en los pernos para sujetar el cablecanal y la otra mitad del calefactor a la caja empotrable. (Figura 8).

⚠ ADVERTENCIA ⚠

SI NO SE INSTALAN LAS CUATRO TUERCAS DE MONTAJE, EL CALEFACTOR PODRÍA CAER (VEA LA FIG. 2).

- Conecte el cable de puesta a tierra al tornillo verde de tierra de la caja de montaje empotrada.
- Extraiga la placa frontal empotrada (Figura 8) de la caja que contiene el gabinete de montaje empotrado tipo FIE-REB-N or FIE-REBNW-W.
- Posicione la placa frontal empotrada sobre la sección calefactora/ caja de montaje empotrado; asegúrese de que los pasadores a presión ('thumb pins') estén en los agujeros de la sección calefactora.

NOTA: los pasadores a presión ('thumb pins') están para ayudar a posicionar y sostener la placa frontal empotrada durante la instalación. Se requiere un soporte adicional (Paso 18).

- Con la placa frontal empotrada asentada firmemente contra la sección calefactora, oprima los pasadores. Esto hará que los pasadores se expandan y sostendrá temporalmente la placa frontal empotrada en su posición.
- Instale y apriete firmemente los cuatro tornillos (suministrados) para asegurar la placa frontal empotrada a la sección calefactora (Figura 8).
- Instale las rejillas de aire de descarga. (Consulte 'Instalación de las rejillas de descarga').

⚠ ADVERTENCIA ⚠

SI NO SE INSTALAN LOS CUATRO TORNILLOS, LA CUBIERTA SUPERFICIAL PODRÍA CAER (VEA LA FIG. 2).

Instalación de las rejillas de descarga

- Extraiga las dos rejillas de descarga y la dos guías de celosías de la caja del gabinete.
- Para determinar la dirección deseada de circulación de aire, consulte la sección 'Patrones de circulación de aire especiales de las rejillas de descarga ajustables', página 10, para determinar la dirección deseada de circulación de aire.

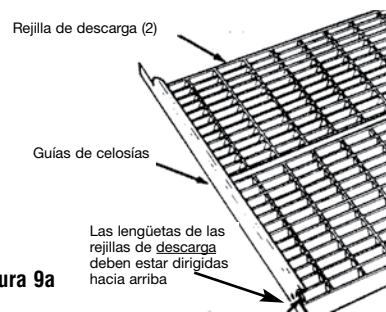


Figura 9a

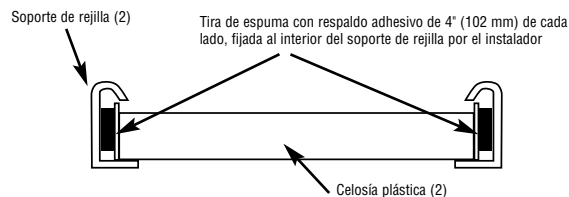


Figura 9b

NOTA: se suministran las tiras de espuma para uso del cliente o instalador en caso de que el movimiento de las celosías con el aire resulte un problema.

- Coloque las dos rejillas de descarga sobre una superficie plana en la configuración deseada, con las lengüetas de cada extremo de las rejillas dirigidas hacia arriba.
- Coloque las dos guías de celosías sobre las dos rejillas de descarga, como se muestra en la Figura 9a.

Nota: las tiras de espuma con respaldo adhesivo se incluyen para fijarlas al interior del soporte de la rejilla, como se muestra en la Figura 9b, en caso de que el movimiento de las celosías con el aire resulte un problema.

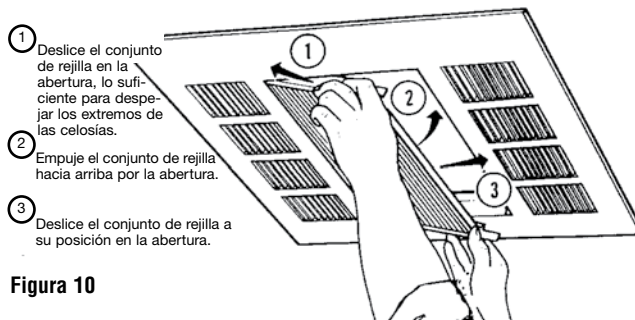


Figura 10

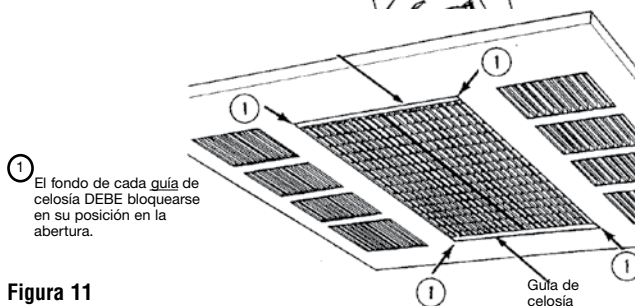


Figura 11

- Mientras sostiene el conjunto con ambas manos, encaje un lado del conjunto en la abertura del gabinete y deslice este lado hacia adentro a la vez que encaja el lado opuesto en el gabinete (Vea la Figura 10). Deslice el conjunto en su posición de manera que la porción inferior de cada guía quede bloqueada en la abertura.

⚠ ADVERTENCIA ⚠

PARA EVITAR QUE CAIGAN LAS GUÍAS DE LA REJILLA DE DESCARGA, DEBEN ENCAJARSE (BLOQUEARSE) EN SU POSICIÓN COMO SE MUESTRA EN LA FIGURA 11.

Conexión

Conversión en el campo para una potencia (watts) nominal menor

Para convertir el calefactor a una potencia (watts) nominal menor, quite por completo un (1) puente de cable rojo de uno de los elementos calefactores. Así se reducirá la potencia (watts) en un 25%. Quite por completo dos (2) puentes de cable para lograr una reducción de la potencia (watts) de un 50%. Deseche el (los) puente(s). Asegúrese de que los cables restantes estén conectados firmemente. Vea la Figura 12.

Conversión para instalación trifásica (3Ø)

El calefactor está cableado en fábrica para conexión monofásica (1Ø) únicamente. Para convertir a trifásica (3Ø), quite y deseche el puente de cable azul entre L1 y L3. Vea la Figura 12.

Aviso importante: este calefactor está cableado de manera que el ventilador se encienda sin retardo al energizarse, siempre que el termostato requiera calor. Cuando se satisfice la demanda del termostato, el ventilador debe continuar funcionando hasta que el calefactor se haya enfriado a una temperatura segura. Si se va a utilizar controles o un termostato externo, **NO** cablee el calefactor de modo que el termostato desconecte la alimentación del ventilador. El ventilador sufrirá daños y la garantía se anulará. El termostato debe conectarse como se muestra en el diagrama de conexión (Figura 12) para que su funcionamiento sea correcto.

NOTA: los cables del conexionado del sitio deben ser de calibre #10 AWG como mínimo y con una especificación de temperatura de 90° C como mínimo.

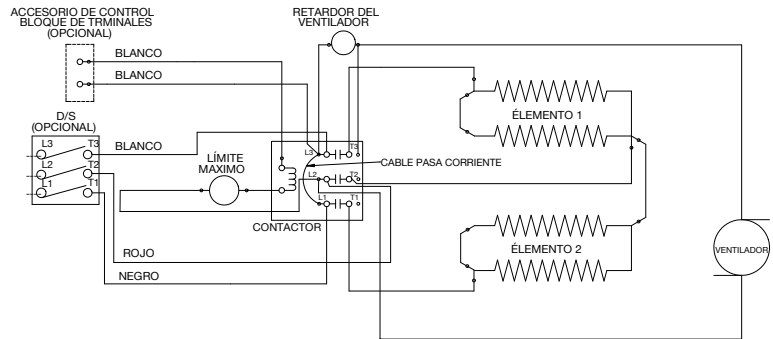
Volumen del compartimiento de cables = 252 in³ (4130 cm³).

Figura 12: Diagramas de cableado

Diagrama de Cableado Estándar (Cableado en fábrica)

*Ver nota:

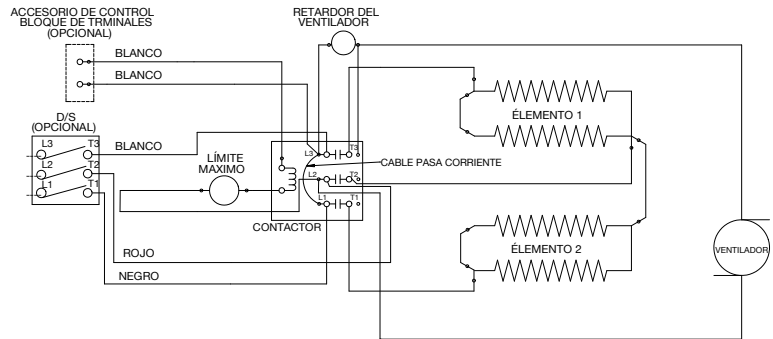
*Nota: El cableado de campo va desde el L1 y L2 del contactor hasta el T1 y T2 del DS para 1Ø



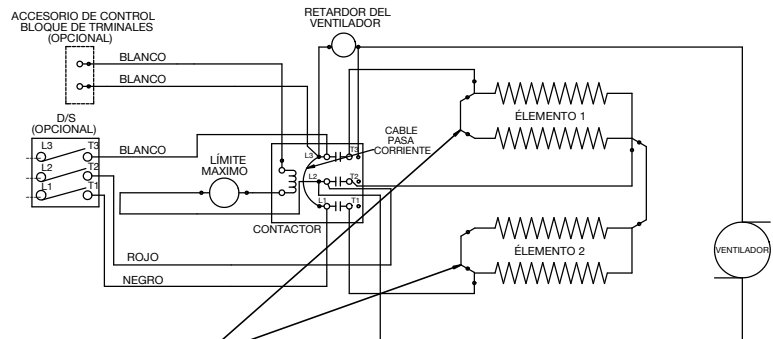
Conversión del cableado para instalación a 3Ø

* Ver Nota

*Nota: El calefactor viene cableado solo para conexión a 1Ø. Para cablear a 3Ø: retire por completo el puente entre el L1 y L3 del contactor. Cablee directamente desde el L1, L2 y L3 del contactor al T1, T2 y T3 del DS.



Conversión del cableado para una potencia menor (1Ø)



RETIRE UN (1) PUENTE DEL ELEMENTO ROJO PARA OBTENER 3/4 DE LA POTENCIA INDICADA EN LA PLACA

Para convertir el calefactor a una potencia (watts) nominal menor, quite por completo un (1) puente de cable rojo de uno de los elementos calefactores. Así se reducirá la potencia (watts) en un 25%. Quite por completo dos (2) puentes de cable para lograr una reducción de la potencia (watts) de un 50%. Deseche el (los) puente(s). Asegúrese de que los cables restantes estén conectados firmemente.

INSTRUCCIONES DE OPERACIÓN

1. El calefactor debe instalarse correctamente antes de ponerlo en funcionamiento.
2. Conecte la alimentación eléctrica al calefactor en el tablero de distribución principal.
3. Lleve el termostato (interno o remoto) a su posición máxima. Esto energizará los elementos calefactores y el ventilador, lo que hace que el aire circule desde el centro del calefactor.
4. Después de la verificación operacional, ajuste el termostato para obtener el nivel de confort deseado.

NOTA: el calefactor contiene un retardo de ventilador al apagado. El ventilador se energiza de inmediato cuando el termostato enciende los elementos calefactores. El ventilador funcionará durante un tiempo breve después de que los elementos calefactores se hayan apagado (aprox. 1 minuto).

NOTA: para obtener los mejores resultados, el calefactor debe permanecer constantemente ENCENDIDO ('ON') durante la temporada en que se necesite calefacción, ya que el termostato, siempre que esté correctamente ajustado, mantendrá la temperatura deseada. En la posición extrema en sentido antihorario, el calefactor permanecerá Apagado ('OFF') hasta que la temperatura de la habitación disminuya bien por debajo del punto de congelación.

Aviso operacional:

Su calefactor está equipado con un control de límite de sobretemperatura con reposición automática que lo apagará automáticamente para impedir su sobrecalentamiento, que podría provocar un incendio.

ADVERTENCIA

NO ALTERE NI PUENTE NINGÚN LÍMITE DE SEGURIDAD INTERNO DEL CALEFACTOR.

PRECAUCION

ATENCIÓN: SI EL CONTROL DE SEGURIDAD SE ACTIVA REPETIDAMENTE DESPUÉS DE LA REPOSICIÓN, NO VUELVA A INTENTAR USAR EL CALEFACTOR. SI LO HACE, EL CALEFACTOR PUEDE SUFRIR DAÑOS PERMANENTES, O PROVOCAR UN INCENDIO O RIESGO PARA LA SEGURIDAD.

Es importante mantener limpio este calefactor. Su calefactor le brindará muchos años de servicio y confort con sólo un mínimo de cuidado. Para asegurar un funcionamiento eficiente, observe las instrucciones simples que se indican a continuación.

ADVERTENCIA

TODO SERVICIO, MÁS ALLÁ DE UNA SIMPLE LIMPIEZA, QUE REQUIERA UN DESMONTAJE DEBE SER REALIZADO POR PERSONAL DE SERVICIO CALIFICADO.

ADVERTENCIA

PARA REDUCIR EL RIESGO DE INCENDIO Y DE CHOQUE ELÉCTRICO O LESIONES, DESCONECTE TODA LA ALIMENTACIÓN ELÉCTRICA QUE LLEGA AL CALEFACTOR EN EL TABLERO PRINCIPAL DE SERVICIO Y VERIFIQUE QUE EL ELEMENTO CALEFACTOR ESTÉ FRÍO ANTES DE PRESTAR SERVICIO O DE REALIZAR EL MANTENIMIENTO.

Instrucciones de limpieza para el usuario:

1. Después de que el calefactor se haya enfriado, puede utilizarse una aspiradora con accesorio de cepillo para eliminar el polvo y la pelusa de las superficies exteriores del calefactor, incluidas las aberturas de la rejilla.
2. Con un paño húmedo, elimine el polvo y la pelusa de la rejilla y las superficies exteriores.
3. Vuelva a conectar la alimentación eléctrica al calefactor y asegúrese de que funcione correctamente.

Instrucciones de limpieza de mantenimiento:

(a realizarse únicamente por personal de servicio calificado)

Al menos una vez por año, un técnico de servicio calificado debe limpiar y prestar servicio al calefactor para garantizar un funcionamiento seguro y eficiente.

Esto debe incluir la extracción de la rejilla y, de ser necesario, la extracción del calefactor de la caja posterior para limpiar residuos en la unidad. Después de terminada la limpieza y servicio, el calefactor debe volver a montarse completamente y verificarse que funcione correctamente.

INSTRUCCIONES DE MANTENIMIENTO

Es importante mantener el calefactor limpio. Limpie su calefactor al menos una vez al año o cuando lo necesite. El calefactor le dará años de servicio y confort con un cuidado mínimo. Para asegurar un funcionamiento eficiente, siga estas simples instrucciones a continuación.

ADVERTENCIA

TODO SERVICIO, MÁS ALLÁ DE UNA SIMPLE LIMPIEZA, QUE REQUIERA UN DESMONTAJE DEBE SER REALIZADO POR PERSONAL DE SERVICIO CALIFICADO.

ADVERTENCIA

PARA REDUCIR EL RIESGO DE INCENDIO Y DE CHOQUE ELÉCTRICO O LESIONES, DESCONECTE TODA LA ALIMENTACIÓN ELÉCTRICA QUE LLEGA AL CALEFACTOR EN EL TABLERO PRINCIPAL DE SERVICIO Y VERIFIQUE QUE EL ELEMENTO CALEFACTOR ESTÉ FRÍO ANTES DE PRESTAR SERVICIO O DE REALIZAR EL MANTENIMIENTO.

Instrucciones de limpieza para el usuario:

1. Después de que el calefactor se haya enfriado, puede utilizarse una aspiradora con accesorio de cepillo para eliminar el polvo y la pelusa de las superficies exteriores del calefactor, incluidas las aberturas de la rejilla.
2. Con un paño húmedo, elimine el polvo y la pelusa de la rejilla y las superficies exteriores.
3. Vuelva a conectar la alimentación eléctrica al calefactor y asegúrese de que funcione correctamente.

Instrucciones de limpieza de mantenimiento:

(a realizarse únicamente por personal de servicio calificado)

Al menos una vez por año, un técnico de servicio calificado debe limpiar y prestar servicio al calefactor para garantizar un funcionamiento seguro y eficiente.

Esto debe incluir la extracción de la rejilla y, de ser necesario, la extracción del calefactor de la caja posterior para limpiar residuos en la unidad. Después de terminada la limpieza y servicio, el calefactor debe volver a montarse completamente y verificarse que funcione correctamente.

GARANTÍA LIMITADA

Todos los productos fabricados por ASPEQ Heating Group están garantizados contra defectos de fabricación y de materiales por 1 año desde la fecha de compra, excepto los elementos calefactores los cuales están garantizados contra defectos en manufactura y materiales durante 5 años a partir de la fecha de compra. Esta garantía no se aplica a daños debidos a accidente, mal uso o alteración, ni a los casos en que la tensión eléctrica conectada supere a la tensión nominal indicada en la placa de características- en más de 5%, ni a equipos que hayan sido instalados o cableados incorrectamente, o mantenidos en forma que no cumpla lo indicado en las instrucciones de instalación del producto. Esta garantía no se aplica a los productos reacondicionados. Todo reclamo por trabajos en garantía debe acompañarse con una prueba de la fecha de compra.

El cliente será responsable de todos los costos incurridos en el retiro o reinstalación de productos, incluyendo los costos de mano de obra y los costos de envío incurridos para regresar productos a un Centro de Servicio de ASPEQ Heating Group. Dentro de las limitaciones de esta garantía, las unidades que no funcionan deben regresarse al centro de servicio autorizado ASPEQ más cercano, o al Centro de Servicio de ASPEQ Heating Group, y nosotros lo repararemos o reemplazaremos, a nuestra opción, sin cargo para usted, con el flete de retorno pagado por ASPEQ. Se acuerda que tal reparación o reemplazo es el único recurso que ASPEQ Heating Group pone a su disposición.

LAS GARANTÍAS EXPUESTAS MÁS ARRIBA TOMAN EL LUGAR DE TODA OTRA GARANTÍA, EXPRESA O IMPLÍCITA, Y POR LA PRESENTE SE DECLINA Y EXCLUYE DE ESTE ACUERDO TODA GARANTÍA IMPLÍCITA DE COMERCIABILIDAD Y ADECUACIÓN A UN PROPÓSITO PARTICULAR QUE EXCEDA LAS GARANTÍAS EXPRESAS ANTEDICHAS. ASPEQ HEATING GROUP NO SE HARÁ RESPONSABLE POR DAÑOS CONSIGUIENTES QUE SE PRODUZCAN CON RESPECTO AL PRODUCTO, EN BASE YA SEA A NEGLIGENCE, AGRAVIO, RESPONSABILIDAD ESTRUCTA, O CONTRATO.

Algunos estados o jurisdicciones no permiten la exclusión o limitación de daños incidentales o consiguientes, de modo que la exclusión o limitación expresada más arriba puede no aplicarse a su caso. Esta garantía le da derechos legales específicos, y usted puede tener también otros derechos, que varían de un estado o jurisdicción a otro.

Para obtener la dirección de su centro de servicio autorizado más cercano comuníquese con ASPEQ Heating Group en St Louis, MO, Estados Unidos, llamando al 314-333-5550. Toda mercadería regresada a la fábrica debe ser acompañada por una autorización de retorno y una etiqueta de identificación de servicio, disponibles ambas en ASPEQ Heating Group. Cuando solicite la autorización de retorno, incluya todos los números de catálogo mostrados en los productos.

CÓMO OBTENER SERVICIO EN GARANTÍA, PIEZAS DE REPUESTO E INFORMACIÓN GENERAL

- | | |
|--|---|
| 1. Servicio o repuestos en garantía | 314-333-5550 |
| 2. Información general sobre productos | www.aspeqheating.com |

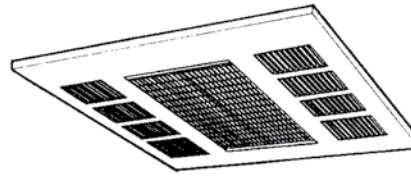
Nota: cuando solicite servicio, siempre dé la información que sigue:

1. Número de modelo del producto
2. Fecha de fabricación
3. Número de parte o descripción

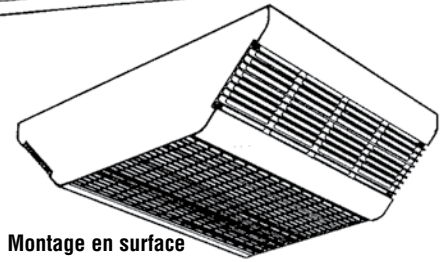
ASPEQ
HEATING GROUP
St Louis, MO 63144 USA

Série 937

Radiateur à air pulsé monté au plafond



Montage encastré



Montage en surface



Instructions d'installation, d'utilisation et d'entretien

Tableau 1 - Spécifications

Cat. No.	Kw ¹	BTU/Hr. (600)	Volts	Phase ²	Amps ³	CFM	°F (°C) ⁴
937AF-548A-N	4/3/2	13.7/10.2/6.8	208	1-3	19.2/14.4/9.6	300	42 (23,3)
937AF-542A-N			240	1-3	16.7/12.5/8.3	(141,5 dm ³ /s)	
937AF-547A-N			277	1	14.5/10.8/7.2		
937AF-558A-N	5/3.8/2.5	17.2/13.0/8.5	208	1-3	24.0/18.2/12.0	300	45 (25)
937AF-552A-N			240	1-3	20.8/15.8/10.4	(141,5 dm ³ /s)	
937AF-557A-N			277	1	18.1/13.7/9.0		
FIE-SEB-N FIE-SEBNW-W	Enceinte pour montage en surface – à utiliser avec les sections de radiateur qui précèdent. Dimension : Long. 20" x Larg. 16-1/2" x Prof. 5-3/4" (508 x 419 X 146 mm).						
FIE-REB-N FIE-REBNW-W	Enceinte pour montage encastré – à utiliser avec les sections de radiateur qui précèdent. Dimension : Long. 23-3/4" x Larg. 23-3/4" x Prof. 7" (603 x 603 X 177 mm).						

¹ Radiateurs câblés en usine pour pleine puissance, convertibles sur site à demi-puissance.

² Câblage d'usine en monophasé, convertible sur site pour triphasé.

³ Pour les radiateurs à 2 types de secteur, la consommation max. de courant est listée.

⁴ Différence de température à la puissance la plus forte spécifiée.

Accessoires.	Kits d'installation sur site
FIT-500T-Z	Thermostat SPST (unipolaire/unidirectionnel) – Plage de 40 à 95°F (4 à 35 °C).
FIR-24R-Z	Relais (fermeture retardée de 45 – 60 sec. à l'activation), nécessitant une alimentation de source extérieure en 24 V.
FIR-FR12-Z	Relais (fermeture retardée de 45 – 60 sec. à l'activation), nécessitant une alimentation de source extérieure en 120 V.
FIS-DS-Z	Interrupteur de coupure secteur (tripolaire) pour monophasé 60 Hz supportant 600 V / 30 A
FIK-TK-N	Anneau de garniture pour montage au plafond permanent (ne peut pas être installé en usine).
FIR-FTR4-Z	Transformateur, primaire 208/240 V et secondaire 24 V, et relais 24 Vdc commande à bobine de maintien
FIR-FTR7-Z	Transformateur, primaire 277 V et secondaire 24 V, et relais 24 V de commande à
TIK-SSP-Z	Thermostat numérique – 0,5 A ; 24 VCA ; Charge maximale = 89

INSTRUCTIONS IMPORTANTES

⚠ AVERTISSEMENT ⚠

LORS DE L'UTILISATION D'APPAREILS ÉLECTRIQUES, DES PRÉCAUTIONS DE BASE DOIVENT TOUJOURS ÊTRE SUIVIES AFIN DE RÉDUIRE LE RISQUE DE DÉPART D'INCENDIE, DE COMMOTION ÉLECTRIQUE ET DE BLESSURES AUX PERSONNES, INCLUANT CELLES QUI SUIVENT :

1. Lisez toutes les instructions avant d'installer ou d'utiliser le radiateur.
2. Ce radiateur est chaud quand il est en fonctionnement. Pour éviter des brûlures, ne laissez pas de peau nue toucher ses surfaces chaudes. Maintenez les matières combustibles comme le mobilier, les oreillers, la literie, les papiers, les vêtements et les couvertures, à au moins 3 pieds (90 cm) de distance de l'avant du radiateur.
3. Il faut faire très attention quand un radiateur quelconque est utilisé par des enfants ou des personnes invalides ou près d'eux, et à chaque fois que le radiateur est laissé en marche sans surveillance.
4. N'utilisez plus un radiateur s'il a présenté des dysfonctionnements. Débranchez son alimentation au panneau de distribution du secteur et faites-le inspecter par un bon électricien avant de le réutiliser.
5. Ne l'utilisez pas à l'extérieur.
6. Pour déconnecter le radiateur, passez sa commande sur arrêt (Off) et coupez le secteur en amont au panneau de distribution.
7. N'insérez pas d'objets étrangers, et ne permettez pas qu'il en entre, dans toute ouverture d'admission ou d'évacuation, car cela peut

causer une commotion électrique ou un départ d'incendie, ou endommager le radiateur.

8. Pour éviter un possible départ d'incendie, n'obstruez en aucune façon les admissions et les échappements d'air.
9. Un radiateur comporte à l'intérieur des parties chaudes, et pouvant produire un arc ou des étincelles électriques. Ne l'utilisez pas dans des zones où de l'essence ou des liquides inflammables sont utilisés ou entreposés.
10. N'utilisez ce radiateur que comme c'est décrit dans ce manuel. Toute autre utilisation non recommandée par le constructeur peut entraîner un départ d'incendie, une commotion électrique ou des blessures corporelles.
11. Ce radiateur est conçu pour des applications de chauffage de confort et n'est pas prévu pour une utilisation dans des environnements spéciaux. Ne l'utilisez pas dans des lieux humides ou mouillés, tels que dans un contexte marin ou une serre, ou dans des endroits où il y a présence d'agents corrosifs ou chimiques.
12. Lors de l'installation, voyez les INSTRUCTIONS D'INSTALLATION pour des mises en gardes et précautions supplémentaires.
13. Pour un fonctionnement sûr et efficace, et pour prolonger sa durée de service, gardez votre radiateur propre – Voyez les INSTRUCTIONS D'ENTRETIEN.

CE RADIATEUR EST POUR UNE UTILISATION COMMERCIALE UNIQUEMENT, ET NON POUR UNE UTILISATION DOMESTIQUE

CONSERVEZ CES INSTRUCTIONS

INSTRUCTIONS D'INSTALLATION

⚠ AVERTISSEMENT ⚠

Pour éviter un possible départ d'incendie, des blessures corporelles ou des dommages au radiateur, respectez ces consignes :

- Débranchez toute alimentation secteur arrivant au panneau de service principal avant de câbler ou d'intervenir pour du service.
- Toutes les procédures de câblage et les raccordements doivent être en conformité avec les normes nationales et locales applicables, et le radiateur doit être relié à la terre.
- L'alimentation secteur doit entrer dans le boîtier arrière au travers des pastilles à enfoncer.
- Vérifiez que la tension du secteur arrivant au radiateur correspond bien aux valeurs spécifiées sur sa plaque signalétique.

ATTENTION : ALIMENTER LE RADIATEUR AVEC UNE TENSION DÉPASSANT LA VALEUR IMPRIMÉE SUR LA PLAQUE SIGNALÉTIQUE ENDOMMAGERA LE RADIATEUR ET ANNULERA SA GARANTIE, ET CELA PEUT PROVOQUER UN DÉPART D'INCENDIE.

- ATTENTION** – Température élevée et risque de départ d'incendie, gardez les cordons électriques, les draperies et textiles d'intérieur, et d'autres matières combustibles, à au moins 3 pieds (90 cm) de l'avant du radiateur. N'installez pas le radiateur derrière des portes, sous des porte-serviettes ou dans une zone où il est susceptible d'être bloqué par des meubles, des rideaux ou des matériaux de rangement. L'air chaud venant du radiateur peut endommager certains tissus et plastiques.
- Pour réduire le risque de départ d'incendie, n'entreposez pas et n'utilisez pas d'essence ou d'autres produits inflammables sous forme de liquide ou de vapeurs à proximité du radiateur.
- Ce radiateur est pour un montage au plafond uniquement en utilisant l'enceinte de montage encastré ou en surface comme c'est décrit dans ce manuel..
- Les écartements minimaux suivants doivent être respectés :
Modèles 937AF-548A-N, 937AF-542A-N, 937AF-547A-N :
Des côtés du radiateur à un mur adjacent - 12" (305mm)
Modèles 937AF-558A-N, 937AF-552A-N, 937AF-557A-N :
Des côtés du radiateur à un mur adjacent - 24" (610mm)
- L'enceinte du radiateur doit être solidement montée au plafond ou sur une structure capable de supporter le radiateur (45 lbs / 20,4 kg). Sinon il y a un risque de chute du radiateur.
- Ne faites pas fonctionner le radiateur sans que sa grille soit en place.
- N'utilisez pas ce radiateur pour faire sécher de la peinture, du plâtre. De la sciure ou de la poussière de ponçage de cloison sèche endommageraient de façon permanente le radiateur, et doivent être tenues à l'écart.

Il faut une section de radiateur et une enceinte de montage pour effectuer l'installation de cet équipement.

Avis important – Ce radiateur est câblé de façon à ce que le ventilateur tourne sans temporisation dès qu'il est activé quand le thermostat demande du chauffage. Quand la demande de thermostat est satisfaite, le ventilateur doit continuer de tourner jusqu'à ce que le radiateur ait refroidi à une température sans risques. Si un thermostat extérieur ou des commandes sont utilisés, **NE** câblez **PAS** le radiateur de façon à ce que ce thermostat désactive le ventilateur. Le radiateur serait endommagé et sa garantie annulée. Le thermostat doit être connecté comme c'est montré sur le schéma de câblage (Figure 12, page 22) pour un fonctionnement correct.


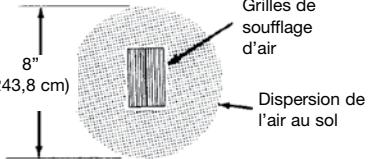
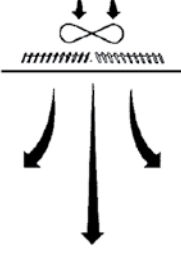
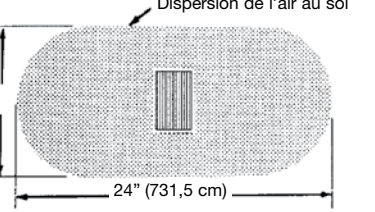
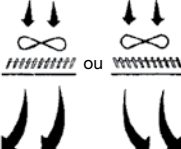
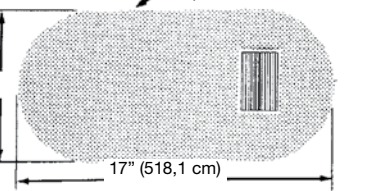
REMARQUE : Le câblage sur site doit se faire en fil de calibre 10 AWG au moins, supportant 90 °C au moins.

Volume du compartiment de câblage : 252 pouces (4 130 cm³)

Cheminements personnalisés du flux d'air par les grilles de soufflage réglables

- Le cheminement du flux d'air est déterminé par la disposition des grilles de soufflage.
- Il faut faire attention au choix de l'emplacement du radiateur.

REMARQUE : La zone de grille de soufflage est rectangulaire. Les grilles de soufflage ne peuvent s'installer que parallèles aux volets d'admission d'air.

Disposition de grille de soufflage d'air	Cheminement de flux d'air personnalisé
	ENVOI D'AIR ÉTROIT pour des applications à plafond haut de 11 à 14' (335,2 à 424,7 cm), concentrant l'air chaud pour qu'il atteigne complètement le niveau du sol. 
	ENVOI D'AIR LARGE pour des applications à plafond standard de 8 à 10' (243,8 à 304,8 cm), dispersant l'air pour donner une distribution douce moins prononcée, en faisant circuler tout l'air du plafond au sol. 
	ENVOI D'AIR ASYMÉTRIQUE orientant l'air chauffé dans une direction spécifique, permettant de positionner le radiateur où il y a de la place tout en envoyant l'air chaud où il y en a besoin. 

Installation de radiateur avec montage en surface

- Déterminez l'emplacement de montage voulu pour le radiateur. Consultez l'avertissement N° 8 pour les écartements au montage.
- Enlevez la plaque de montage en surface (Figure 1) du carton contenant l'enceinte de montage en surface, de type FIE-SEB-N ou FIE-SEBNW-W.
- Retirez l'une des ouvertures amovibles à proximité de la vis de terre et installez un connecteur de câble ou de conduit (Figure 1).

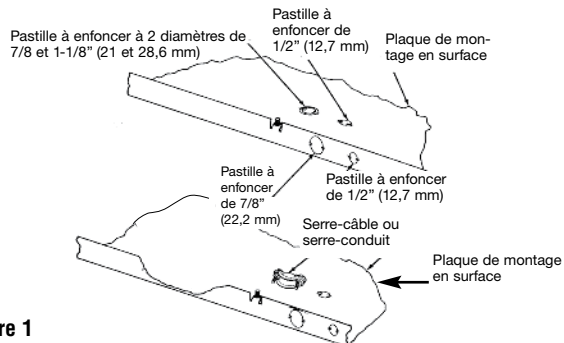


Figure 1

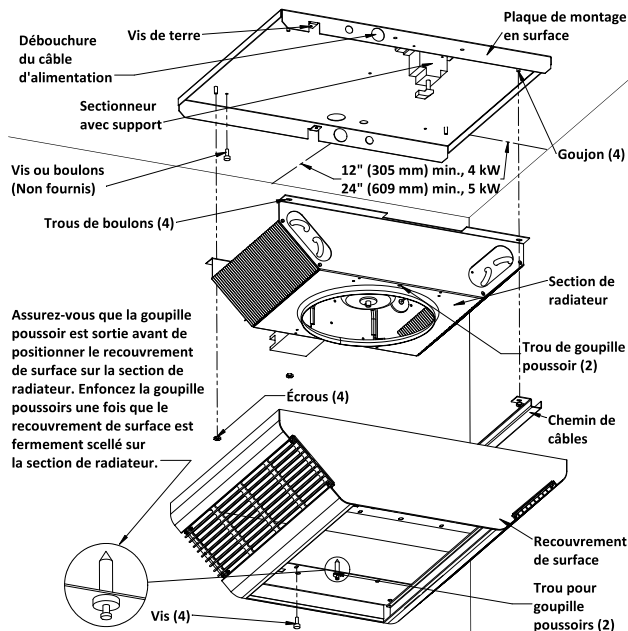


Figure 2

4. Installez l'interrupteur de coupure optionnel (si nécessaire). Reportez-vous aux instructions des accessoires.
5. Passez le câble d'alimentation au travers du serre-câble, en laissant environ 8" (203 mm) de fil à l'intérieur de la plaque de montage en surface (Le câblage d'alimentation doit être de calibre 10 AWG au moins, supportant 90 °C au moins).
6. Positionnez la plaque de montage en surface contre le plafond et fixez-la avec des boulons ou des vis (Figure 2). Voyez l'avertissement N° 9. Connectez le fil d'arrivée de terre sur la vis de terre verte de la plaque de montage en surface.
7. Sortez la section de radiateur de son carton.
8. Installez les commandes optionnelles (s'il y a lieu) dans la section de radiateur en conformité avec la fiche d'instructions qui accompagne ces commandes.
9. Pour câbler le radiateur, et/ou pour le convertir de secteur monophasé à triphasé, référez-vous au schéma de câblage (Figure 12, page 22).
10. Positionnez la section de radiateur par-dessus les goujons de la plaque de montage en surface (Figure 2).

REMARQUE : L'extrémité de la section de radiateur avec le bornier doit être positionnée en bout de la plaque de montage en surface du côté de l'arrivée du câblage d'alimentation.

11. Poussez la section chauffante sur les goujons et serrez solidement les deux écrous (fournis) sur les goujons pour fixer la moitié de la section chauffante opposée aux fils gainés à la plaque de montage en surface. Poussez la conduite sur les goujons en vous assurant que les fils gainés sont dans la conduite, puis serrez fermement les deux écrous (fournis) sur les goujons pour fixer la conduite et l'autre moitié de l'appareil de chauffage à la plaque de montage en surface (Figure 2).

⚠ AVERTISSEMENT ⚠

SI VOUS N'INSTALLEZ PAS BIEN LES QUATRE ÉCROUS DE FIXATION LE RADIATEUR PEUT TOMBER (VOYEZ LA FIGURE 2).

12. Enlevez le recouvrement de surface du carton contenant l'enceinte de montage en surface, de type FIE-SEB-N ou FIE-SEBNW-W.

REMARQUE : Assurez-vous que la goupille poussoir dans chaque extrémité de la grille de soufflage est tirée en position sortie pour permettre aux corps de goupille de bien entrer dans les trous de la section de radiateur (Figure 2).

13. Positionnez le recouvrement de surface sur la section de radiateur avec plaque de montage en surface, en vous assurant que les goupilles poussoirs sont bien dans les trous de la section de radiateur.
14. Une fois que le recouvrement de surface est fermement installé sur la section de radiateur, enfoncez les goupilles poussoirs. Cela va les faire se dilater et maintenir temporairement le revêtement de surface en place.

REMARQUE : Les goupilles poussoirs sont une aide pour positionner et tenir le recouvrement de surface pendant l'installation. Un support additionnel (étape 15) est nécessaire.

15. Installez et serrez bien quatre vis (fournies) pour retenir le recouvrement de surface avec la section de radiateur (Figure 2).
16. Installez les grilles de soufflage (Référez-vous à "Installation des grilles de soufflage" en page 21).

⚠ AVERTISSEMENT ⚠

SI VOUS N'INSTALLEZ PAS BIEN LES QUATRE VIS LE RECOUVREMENT DE SURFACE PEUT TOMBER (VOYEZ LA FIGURE 2).

Installation de radiateur avec montage encastré dans un plafond à suspentes en "T"

Le radiateur pour montage encastré s'installera dans tout plafond standard avec suspentes en T de 2' x 2' (609 x 609 mm).

1. Enlevez le boîtier de montage encastré (Figure 3) du carton contenant l'enceinte de montage encastré, de type FIE-REB-N ou FIE-REBNW-W.
2. Enfoncez l'une des pastilles et installez-y un serre-câble ou serre-conduit (Figure 3).
3. Retirez l'une des ouvertures amovibles à proximité de la vis de terre et installez un connecteur de câble ou de conduit (Figure 3)
4. Installez l'interrupteur de coupure optionnel (si nécessaire) comme c'est montré en Figure 3.

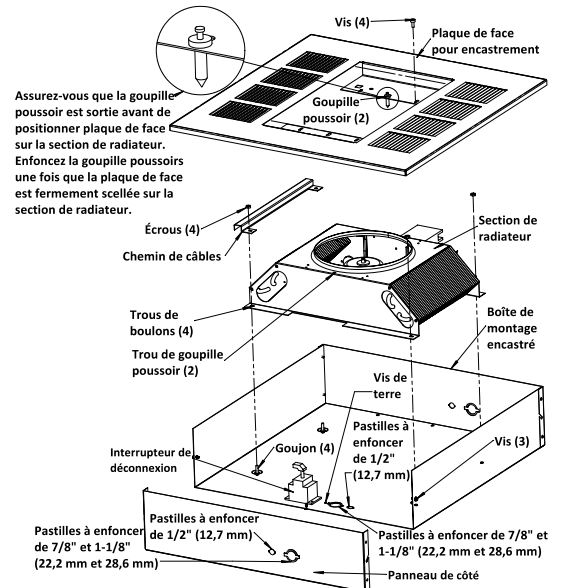


Figure 3

5. Sortez la section de radiateur de son carton.
6. Installez les commandes optionnelles (s'il y a lieu) dans la section de radiateur en conformité avec la fiche d'instructions qui accompagne ces commandes.
7. Pour câbler le radiateur, et/ou pour le convertir de secteur monophasé à triphasé, référez-vous au schéma de câblage (Figure 12, page 22).
8. Positionnez la section de radiateur par-dessus les goujons du boîtier de montage encastré (Figure 3).

REMARQUE : L'extrémité de la section chauffante dotée du contacteur doit être positionnée à l'extrémité opposée du boîtier de montage encastré, là où entre le câblage d'alimentation.

- Poussez la section chauffante sur les goujons et serrez fermement les deux écrous (fournis) sur les goujons pour fixer la moitié de la section chauffante opposée aux fils gainés au boîtier de montage encastré. Poussez la conduite sur les goujons en vous assurant que les fils gainés sont dans la conduite, puis serrez fermement les deux écrous (fournis) sur les goujons pour fixer la conduite et l'autre moitié de l'appareil de chauffage au boîtier de montage encastré (Figure 3).
- Enlevez la plaque de montage encastré (Figure 3) du carton contenant l'enceinte de montage encastré, de type FIE-REB-N ou FIE-REBNW-W.

SI VOUS N'INSTALLEZ PAS BIEN LES QUATRE ÉCROUS DE FIXATION LE RADIATEUR PEUT TOMBER (VOYEZ LA FIGURE 2).

REMARQUE : Assurez-vous que la goupille poussoir dans chaque extrémité de la grille de soufflage est tirée en position sortie pour permettre aux corps de goupille de bien entrer dans les trous de la section de radiateur (Figure 3).

- Positionnez la plaque de face pour encastrement sur la section de radiateur avec boîtier de montage encastré, en vous assurant que les goupilles poussoirs sont bien dans les trous de la section de radiateur.
- Une fois que la plaque de face pour encastrement est fermement installée sur la section de radiateur, enfoncez les goupilles poussoirs. Cela va les faire se dilater et maintenir temporairement le revêtement de surface en place.

REMARQUE : Les goupilles poussoirs sont une aide pour positionner et tenir la plaque de face pour encastrement pendant l'installation. Un support additionnel (étape 13) est nécessaire.

- Installez et serrez bien quatre vis (fournies) pour retenir la plaque de face pour encastrement avec la section de radiateur (Figure 3).

AVERTISSEMENT

SI VOUS N'INSTALLEZ PAS BIEN LES QUATRE VIS, LE RECOUVREMENT DE SURFACE PEUT TOMBER (VOYEZ LA FIGURE 2).

- Déterminez l'emplacement de montage voulu pour le radiateur.
- Positionnez le radiateur dans un quadrillage de suspentes en T (Figure 4) et procédez à la fixation nécessaire. Voyez l'avertissement N° 9.

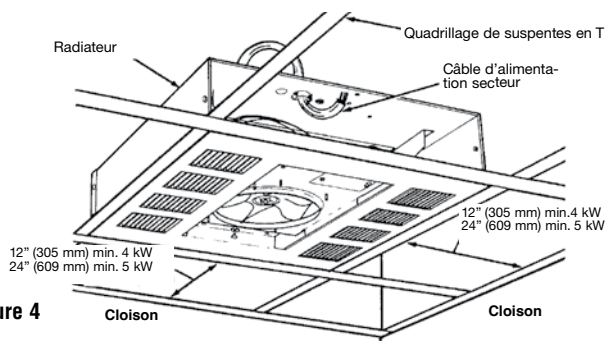


Figure 4

- Passez le câble d'alimentation au travers du serre-câble, en laissant environ 8" (203 mm) de fil à l'intérieur du boîtier de montage encastré (Le câblage d'alimentation doit être de calibre 10 AWG au moins, supportant 90 °C au moins).
- Connectez le fil d'arrivée de terre sur la vis de terre verte du boîtier de montage encastré.
- Une fois le câblage terminé, remplacez et fixez le côté du boîtier de montage encastré qui avait été précédemment retiré à l'étape 2.
- Installez les grilles de soufflage (Référez-vous à "Installation des grilles de soufflage en page 21).

Installation du radiateur à montage encastré dans un plafond en plâtre

- Déterminez l'emplacement de montage voulu pour le radiateur. Consultez l'avertissement N° 8 pour les écartements minimaux au montage et l'avertissement N° 9.

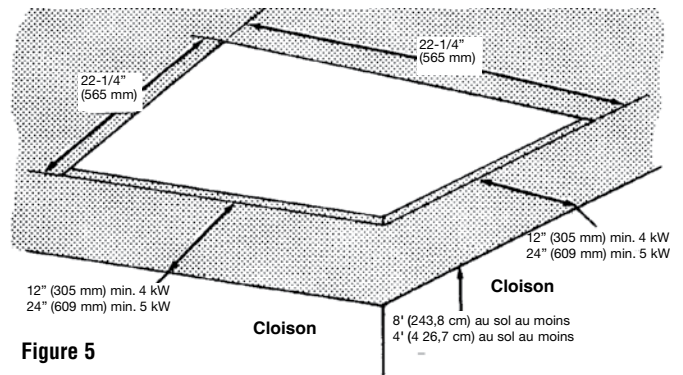


Figure 5

- Découpez dans le plafond un trou pour le montage de 22-1/4" x 22-1/4" (565 x 565 mm) pour y loger le boîtier de montage (Figure 5).
- Enlevez le boîtier de montage encastré (Figure 6) du carton contenant l'enceinte de montage encastré, de type FIE-REB-N ou FIE-REBNW-W.
- Retirez l'une des ouvertures amovibles près de la vis de terre et installez un connecteur de câble ou de conduit (Figure 6).
- Installez l'interrupteur de coupure optionnel (si nécessaire). Reportez-vous aux instructions des accessoires.

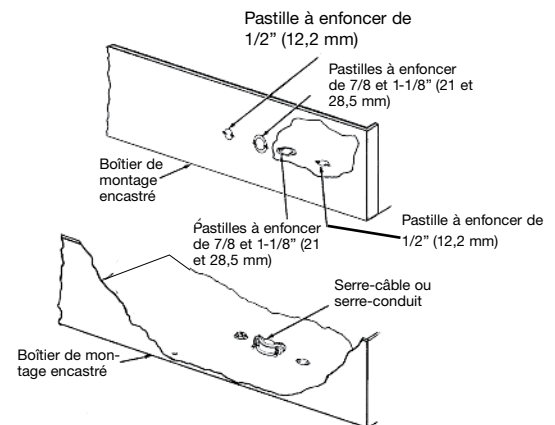


Figure 6

- Passez le câble d'alimentation à travers du serre-câble, en laissant environ 8" (203 mm) de fil à l'intérieur du boîtier de montage encastré (Le câblage d'alimentation doit être de calibre 10 AWG au moins, supportant 90 °C au moins).
- Placez le boîtier de montage encastré dans l'ouverture du plafond et alignez les marques sur les côtés du boîtier de montage avec le dessous de la finition du plafond. Cela va positionner le rebord du boîtier de montage à 3/8" (9,5 mm) en-dessous du plafond, et permettra à la plaque de face pour encastrement de reposer à plat sur le plafond.
- Fixez le boîtier de montage encastré à la structure du bâtiment en utilisant au moins quatre ensembles de fixation (non fournis).
- Sortez la section de radiateur de son carton.
- Installez les commandes optionnelles (s'il y a lieu) dans la section de radiateur en conformité avec la fiche d'instructions qui accompagne ces commandes.
- Pour câbler le radiateur, et/ou pour le convertir de secteur monophasé à triphasé, référez-vous au schéma de câblage (Figure 12, page 22).

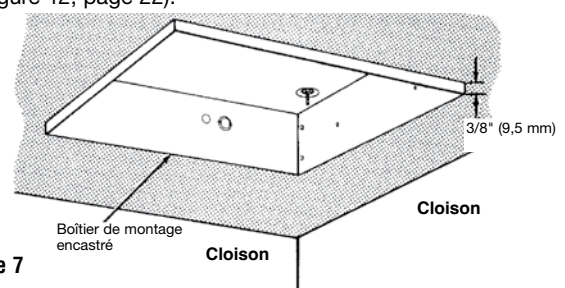


Figure 7

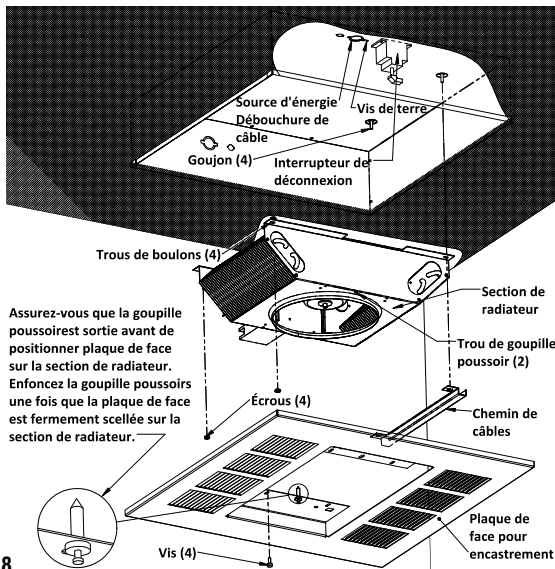


Figure 8

12. Positionnez la section de radiateur par-dessus les goujons du boîtier de montage encastré (Figure 8).

REMARQUE : L'extrémité de la section de l'appareil de chauffage avec le contacteur doit être positionné à l'extrémité de la boîte encastrable à l'entrée du câblage d'alimentation.

13. Poussez la section chauffante sur les goujons et serrez fermement les deux écrous (fournis) sur les goujons pour fixer la moitié de la section chauffante opposée aux fils gainés au boîtier de montage encastré. Poussez la conduite sur les goujons en vous assurant que les fils gainés sont dans la conduite, puis serrez fermement les deux écrous (fournis) sur les goujons pour fixer la conduite et l'autre moitié de l'appareil de chauffage au boîtier de montage encastré (Figure 8).

⚠ AVERTISSEMENT ⚠

SI VOUS N'INSTALLEZ PAS BIEN LES QUATRE ÉCROUS DE FIXATION LE RADIATEUR PEUT TOMBER (VOYEZ LA FIGURE 2).

14. Connectez le I d'arrivée de terre sur la vis de terre verte du boîtier de montage encastré.
15. Enlevez la plaque de face pour encastrement (Figure 8) du carton contenant l'enceinte de montage encastré, de type FIE-REB-N or FIE-REBNW-W.
16. Positionnez la plaque de face pour encastrement sur la section de radiateur avec boîtier de montage encastré, en vous assurant que les goupilles/poussoirs sont bien dans les trous de la section de radiateur.

REMARQUE : Les goupilles/poussoirs sont une aide pour positionner et tenir la plaque de face pour encastrement pendant l'installation. Un support additionnel (étape 18) est nécessaire.

17. Une fois que la plaque de face pour encastrement est fermement installée sur la section de chauffage, enfoncez les goupilles/poussoirs. Cela va les faire se dilater et maintenir temporairement le revêtement de surface en place.
18. Installez et serrez bien quatre vis (fournies) pour retenir la plaque de face pour encastrement avec la section de radiateur (Figure 8).
19. Installez les grilles de soufflage (Référez-vous à "Installation des grilles de soufflage").

⚠ AVERTISSEMENT ⚠

SI VOUS N'INSTALLEZ PAS BIEN LES QUATRE VIS LE RECOUVREMENT DE SURFACE PEUT TOMBER (VOYEZ LA FIGURE 2).

Installation des grilles de soufflage

1. Sortez les deux grilles de soufflage et les deux guides de volets du carton de l'enceinte.
2. Référez-vous à la section to "Chemins personnalisés du flux d'air par les grilles de soufflage réglables" en page 18 pour déterminer la direction voulue du flux d'air.

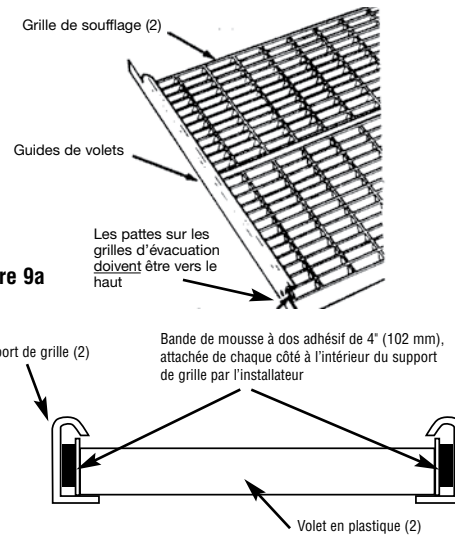


Figure 9a

REMARQUE : Des bandes de mousse sont fournies au client/à l'installateur pour être utilisées si le mouvement de l'air aux lames devient un problème.

Figure 9b

3. Placez les deux grilles de soufflage sur une surface plane dans la configuration voulue, avec les pattes de chaque extrémité de grille vers le haut.
4. Encastrez les deux guides de volets sur les deux grilles de soufflage comme c'est montré en Figure 9a.

Remarque : Des bandes de mousse à dos adhésif sont incluses pour être collées sur l'intérieur du support de grille, comme montré en Figure 9b, si le mouvement de l'air des volets devenait un problème.

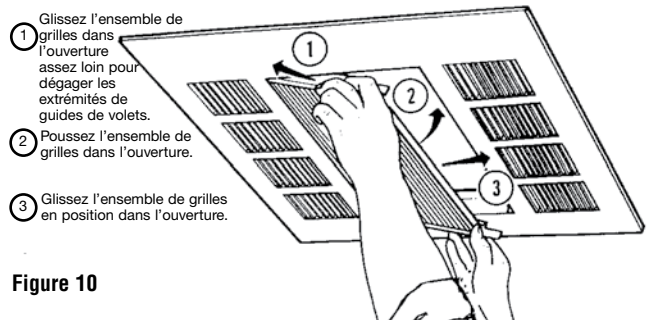


Figure 10

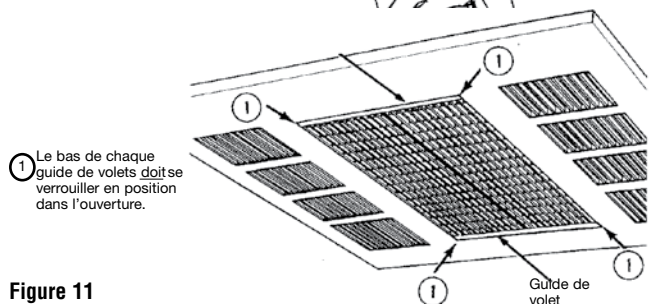


Figure 11

5. Tout en maintenant à deux mains l'ensemble, entrez une extrémité de l'ensemble dans l'enceinte, et glissez ce côté vers l'intérieur tout en mettant le côté opposé dans l'enceinte (Voyez la Figure 10). Faites glisser l'ensemble en position de façon à ce que la portion inférieure de chaque guide se verrouille dans l'ouverture.

⚠ AVERTISSEMENT ⚠

POUR ÉVITER LA CHUTE DES GUIDES DE GRILLES DE SOUFFLAGE, CES GUIDES DOIVENT ÊTRE ENCLENCHÉS (VERROUILLÉS) EN POSITION COMME C'EST MONTRÉ EN FIGURE 11.

Câblage

Conversion sur site pour puissance inférieure

Pour convertir le radiateur à une puissance nominale inférieure, enlevez complètement un (1) cavalier rouge d'un des éléments de chauffe pour obtenir une réduction de puissance de 25 %. Si vous enlevez complètement deux (2) cavaliers rouges vous obtenez une réduction de puissance de 50 %. Vous pouvez jeter ce(s) cavalier(s). Assurez-vous que les fils qui restent sont solidement branchés. Voyez la Figure 12.

Conversion pour alimenter en secteur triphasé

Le radiateur est câblé en usine pour un raccordement sur secteur monophasé uniquement. Pour le convertir pour une alimentation sur secteur triphasé, enlevez et jetez le cavalier bleu entre L1 et L3. Voir la Figure 12.

Avis important – Ce radiateur est câblé de façon à ce que le ventilateur tourne sans temporisation dès qu'il est activé quand le thermostat demande du chauffage. Quand la demande de thermostat est satisfaite, le ventilateur doit continuer de tourner jusqu'à ce que le radiateur ait refroidi à une température sans risques. Si un thermostat extérieur ou des commandes sont utilisés, **NE** câblez PAS le radiateur de façon à ce que ce thermostat désactive le ventilateur. Le radiateur serait endommagé et sa garantie annulée. Le thermostat doit être connecté comme c'est montré sur le schéma de câblage (Figure 12) pour un fonctionnement correct.

REMARQUE : Le câblage sur site doit se faire en fil de calibre 10 AWG au moins, supportant 90 °C au moins.

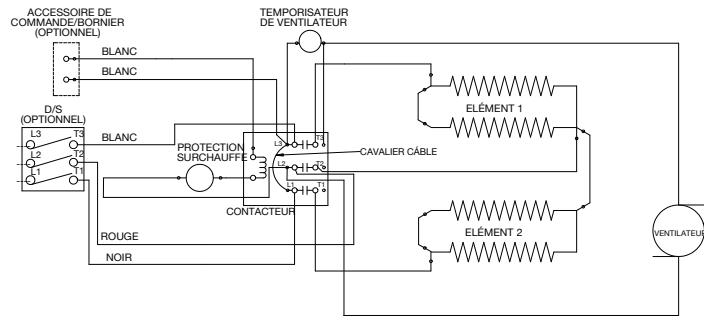
Volume du compartiment de câblage : 252 pouces³ (4 130 cm³).

Figure 12 : Schémas de câblage

Schéma de câblage standard (Câblage de l'usine)

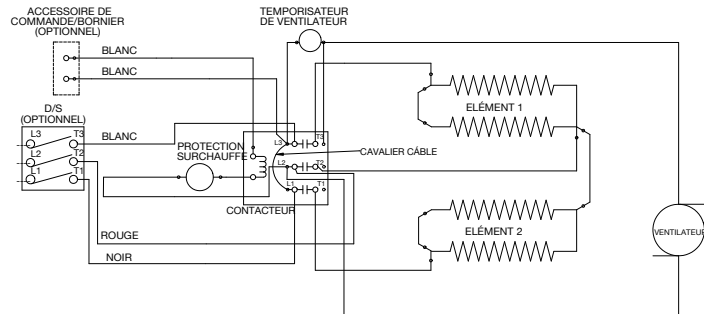
*Voir la note :

*Remarque : Le câblage de terrain va de L1 et L2 du contacteur à T1 et T2 du DS pour 1Ø.

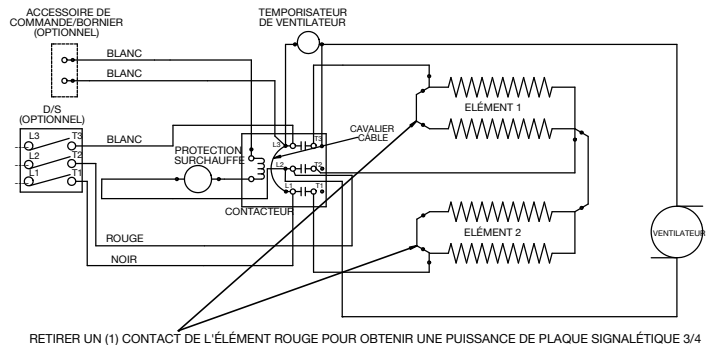


Conversion pour une installation triphasée *Voir la note :

*Remarque : Le radiateur est câblé pour une connexion à 1Ø uniquement. Pour câbler à 3Ø : retirer complètement le cavalier entre L1 et L3 sur le contacteur. Câblez le contacteur L1, L2 et L3 directement vers DS T1, T2 et T3



Conversion du câblage vers une puissance inférieure (1Ø)



Pour convertir le radiateur à une puissance nominale inférieure, enlevez complètement un (1) cavalier rouge d'un des éléments de chauffe pour obtenir une réduction de 25 %. Si vous enlevez complètement deux (2) cavaliers rouges vous obtenez une réduction de puissance de 50 %. Vous pouvez jeter ce(s) cavalier(s). Assurez-vous que les fils qui restent sont solidement branchés.

INSTRUCTIONS D'UTILISATION

1. Le radiateur doit être correctement installé avant d'être mis en marche.
2. Mettez le radiateur en marche (ON) au panneau de commande principal.
3. Passez le réglage de thermostat (intérieur ou extérieur) sur la consigne de température la plus élevée. Cela va activer les éléments de chauffe et le ventilateur, en provoquant un flux d'air sortant du centre du radiateur.
4. Après le contrôle de bon fonctionnement, réglez la consigne de thermostat pour obtenir le niveau de confort voulu.

REMARQUE : Le radiateur intègre une minuterie retardant la coupure du ventilateur. Le ventilateur est activé immédiatement quand la demande du thermostat active les éléments de chauffe. Le ventilateur continue de tourner pendant une courte durée (environ une minute) une fois que les éléments de chauffe sont désactivés.

REMARQUE : Pour obtenir les meilleurs résultats, le radiateur doit rester en marche (ON) en permanence durant la saison de chauffage, du fait que le thermostat quand il est bien réglé maintiendra la température désirée. Mis en position antihoraire à fond, le radiateur restera arrêté jusqu'à ce que la température ambiante retombe bien au delà du niveau de gel.

Remarque de fonctionnement :

Votre radiateur est équipé d'un dispositif de protection automatique contre un dépassement de température, qui coupe automatiquement le radiateur pour éviter un départ d'incendie en cas de surchauffe.

AVERTISSEMENT

NE TOUCHEZ PAS ET NE CONTOURNEZ PAS LES LIMITES DE SÉCURITÉ À L'INTÉRIEUR DU RADIATEUR

ATTENTION

NE CONTINUEZ PAS D'ESSAYER D'UTILISER LE RADIATEUR SI SON CONTRÔLE DE SÉCURITÉ SE DÉCLENCHE À RÉPÉTITION APRÈS SA RESTAURATION. EN LE FAISANT VOUS POURRIEZ L'ENDOMMAGER DE FAÇON IRRÉMÉDIABLE OU CAUSER UN DÉPART D'INCENDIE OU DES RISQUES POUR LA SÉCURITÉ.

Il est important de garder propre ce radiateur. Votre radiateur vous fournira des années de bon service et de confort avec juste un minimum de soins. Pour assurer son fonctionnement efficace, suivez les instructions simples ci-dessous :

AVERTISSEMENT

TOUTE INTERVENTION DE SERVICE AU-DELÀ D'UN SIMPLE NETTOYAGE, QUI NÉCESSITE UN DÉMONTAGE, DEVRA ÊTRE RÉALISÉE PAR DU PERSONNEL DE SERVICE QUALIFIÉ.

AVERTISSEMENT

POUR RÉDUIRE LE RISQUE DE DÉPART D'INCENDIE ET DE COMMOTION ÉLECTRIQUE OU DE BLESSURE, DÉBRANCHEZ TOUTE ALIMENTATION ÉLECTRIQUE ALLANT AU RADIATEUR EN AMONT AU PANNEAU DE SERVICE, ET VÉRIFIEZ QUE L'ÉLÉMENT DE CHAUFFE EST FROID AVANT D'INTERVENIR POUR DU SERVICE OU DE L'ENTRETIEN.

Instructions de nettoyage par l'utilisateur :

1. Une fois que le radiateur est froid, vous pouvez utiliser un aspirateur avec son accessoire brosse pour éliminer la poussière et les peluches des surfaces extérieures du radiateur, y compris les ouvertures de la grille.
2. Avec un chiffon humide, enlevez poussière et peluche de la grille et des surfaces extérieures.
3. Remettez le radiateur sous tension et vérifiez son bon fonctionnement.

Instructions de nettoyage d'entretien :

(Ne doit être exécuté que par du personnel de service qualifié)

Au moins une fois par an le radiateur doit être nettoyé et vérifié par une personne de service qualifiée afin d'assurer un fonctionnement sûr et efficace. Une fois le nettoyage et le service terminés, le radiateur doit être complètement remonté et son bon fonctionnement vérifié.

INSTRUCTIONS D'ENTRETIEN

Il est important de garder cet appareil de chauffage propre. Nettoyez votre appareil de chauffage au moins une fois par an ou au besoin. Votre appareil de chauffage vous offrira des années de fonctionnement et de confort, le tout avec un minimum d'entretien. Pour en assurer le fonctionnement efficace, suivez les instructions simples ci-dessous.

AVERTISSEMENT

TOUTE INTERVENTION DE SERVICE AU-DELÀ D'UN SIMPLE NETTOYAGE, QUI NÉCESSITE UN DÉMONTAGE, DEVRA ÊTRE RÉALISÉE PAR DU PERSONNEL DE SERVICE QUALIFIÉ.

AVERTISSEMENT

POUR RÉDUIRE LE RISQUE DE DÉPART D'INCENDIE ET DE COMMOTION ÉLECTRIQUE OU DE BLESSURE, DÉBRANCHEZ TOUTE ALIMENTATION ÉLECTRIQUE ALLANT AU RADIATEUR EN AMONT AU PANNEAU DE SERVICE, ET VÉRIFIEZ QUE L'ÉLÉMENT DE CHAUFFE EST FROID AVANT D'INTERVENIR POUR DU SERVICE OU DE L'ENTRETIEN.

Instructions de nettoyage par l'utilisateur :

1. Une fois que le radiateur est froid, vous pouvez utiliser un aspirateur avec son accessoire brosse pour éliminer la poussière et les peluches des surfaces extérieures du radiateur, y compris les ouvertures de la grille.
2. Avec un chiffon humide, enlevez poussière et peluche de la grille et des surfaces extérieures.
3. Remettez le radiateur sous tension et vérifiez son bon fonctionnement.

Instructions de nettoyage d'entretien :

(Ne doit être exécuté que par du personnel de service qualifié)

Au moins une fois par an le radiateur doit être nettoyé et vérifié par une personne de service qualifiée afin d'assurer un fonctionnement sûr et efficace. Une fois le nettoyage et le service terminés, le radiateur doit être complètement remonté et son bon fonctionnement vérifié.

GARANTIE LIMITÉE

Tous les produits fabriqués par ASPEQ Heating Group sont garantis contre les défauts de fabrication et de matériau pendant une année à compter de leur date d'achat, sauf les éléments chauffants, lesquels sont garantis contre les défauts de fabrication et de matériau pendant 5 ans à compter de la date d'achat. Cette garantie ne couvre pas les dommages causés par un accident, une mauvaise utilisation ou une altération et ne s'applique pas si la tension d'alimentation dépasse de 5% ou plus celle de la plaque signalétique, si l'équipement est mal installé, mal câblé ou mal entretenu, contrairement aux instructions d'installation et d'utilisation du produit. Cette garantie ne s'applique pas aux produits remis à neuf. Toutes les réclamations sous garantie doivent être accompagnées d'une preuve de date d'achat.

Le client doit être responsable de tous les coûts occasionnés pour le démontage ou la réinstallation des produits, incluant les coûts de main-d'oeuvre, et les coûts d'expédition pour renvoyer les produits au centre de service de ASPEQ Heating Group. Dans le cadre des limitations de cette garantie, les unités ne fonctionnant pas doivent être renvoyées au centre de service agréé ASPEQ le plus proche, ou directe au centre de service de ASPEQ Heating Group, où ils seront réparés ou remplacés, à notre choix, sans frais pour vous avec le port de retour payé par ASPEQ. Il est convenu que cette réparation ou ce remplacement sera le seul remède à attendre de ASPEQ Heating Group.

LES GARANTIES QUI PRÉCÈDENT TIENNENT LIEU DE TOUTES LES AUTRES GARANTIES, EXPLICITES OU IMPLICITES, ET TOUTES LES GARANTIES IMPLICITES DE VALEUR MARCHANDE ET D'ADÉQUATION POUR UNE FINALITÉ SPÉCIFIQUE QUI EXCÉDERAIENT LES DISPOSITIONS DE GARANTIE PRÉCÉDEMMENT ÉNONCÉES SONT ICI REJETÉES ET EXCLUES DE CET ACCORD. ASPEQ HEATING GROUP NE SERA PAS TENU POUR RESPONSABLE DES DOMMAGES CONSÉCUTIFS SURVENANT EN RELATION AVEC LE PRODUIT, QU'ILS SOIENT À BASE DE NÉGLIGENCE, TORT, RESPONSABILITÉ PURE OU CONTRACTUELLE.

Certains États ne permettent pas l'exclusion ou la limitation des dommages consécutifs ou annexes, de ce fait l'exclusion ou la limitation qui précède peut ne pas s'appliquer à votre cas. Cette garantie vous donne des droits légaux spécifiques, qui varient d'un État à un autre. Pour obtenir l'adresse de votre centre de service agréé le plus proche, contactez ASPEQ Heating Group à St Louis, MO, USA, au 314-333-5550. Toute marchandise retournée à l'usine doit être accompagnée d'une autorisation de renvoi et d'une étiquette d'identification pour le service, ces deux documents étant disponibles auprès de ASPEQ Heating Group. En demandant une autorisation de retour, fournissez tous les numéros de catalogue indiqués sur les produits.

COMMENT OBTENIR DU SERVICE ET DES PIÈCES DANS LE CADRE DE LA GARANTIE ET DES INFORMATIONS GÉNÉRALES

- | | |
|--|--|
| 1. Service ou pièces sous garantie | 314-333-5550 |
| 2. Informations générales sur les produits | www.aspeqheating.com |

Remarque : Pour obtenir le service sous garantie vous devez toujours avoir préparé:

1. Référence de modèle du produit
2. Date de fabrication
3. Numéro ou description de pièce

ASPEQ
HEATING GROUP
St Louis, MO 63144 USA