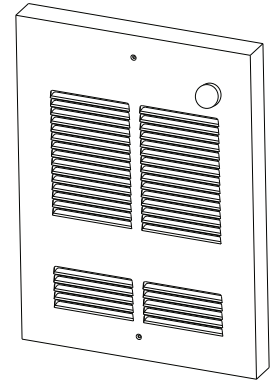


ASPEQ

HEATING GROUP

934 Series Fan Forced Wall & Ceiling Heaters



Installation, Operation & Maintenance Instructions

Specifications

MODEL	VOLTS	AMPS	WATTS	BTU/HR	WIRE SIZE
934AW-D1012-C	120	8.3	1000	3413	14 awg
934AW-D1012-W	120	8.3	1000	3413	14 awg
934AW-D1512-W	120	12.6	1500	5120	12 awg
934AW-D1024-C	208	3.6	750	2560	14 awg
	240	4.2	1000	3413	14 awg
934AW-D1024-W	208	3.6	750	2560	14 awg
	240	4.2	1000	3413	14 awg
934AW-D2024-W	208	7.2	1500	5120	14 awg
	240	8.3	2000	6826	14 awg

IMPORTANT INSTRUCTIONS



WARNING



WHEN USING ELECTRIC APPLIANCES, BASIC PRECAUTIONS SHOULD ALWAYS BE FOLLOWED TO REDUCE THE RISK OF FIRE, ELECTRIC SHOCK, AND INJURY TO PERSONS, INCLUDING THE FOLLOWING:

1. Read all instructions before installing or using this heater.
2. This heater is hot when in use. To avoid burns, do not let bare skin touch hot surfaces. Keep combustible materials, such as furniture, pillows, bedding, papers, clothes, etc. and curtains at least 3 feet (0.9 m) from the front of the heater.
3. Extreme caution is necessary when any heater is used by or near children or invalids and whenever the heater is left operating and unattended.
4. Do not operate any heater after it malfunctions. Disconnect power at service panel and have heater inspected by a reputable electrician before using.
5. Do not use outdoors.
6. To disconnect heater, turn controls to off, and turn off power to heater circuit at main disconnect panel.
7. Do not insert or allow foreign objects to enter any ventilation or exhaust opening as this may cause an electric shock, fire, or damage to the heater.
8. To prevent a possible fire, do not block air intake or exhaust in any manner.
9. A heater has hot and arcing or sparking parts inside. Do not use it in areas where gasoline, paint, or flammable liquids are used or stored.
10. Use this heater only as described in this manual. Any other use not recommended by the manufacturer may cause fire, electric shock, or injury to persons.
11. This heater is provided with a red alarm light that will illuminate only if the heater has turned off as a result of overheating. If you see the light on, immediately turn the heater off and inspect for any objects on or adjacent to the heater that may have blocked the airflow or otherwise caused high temperatures to have occurred. **DO NOT OPERATE THE HEATER WITH THE ALARM LIGHT ILLUMINATING.**
12. This heater is intended for comfort heating applications and not intended for use in special environments. Do not use in damp or wet locations such as marine or greenhouse or in areas where corrosive or chemical agents are present.
13. When installing, see INSTALLATION INSTRUCTIONS for additional warnings and precautions.
14. For safe and efficient operation, and to extend the life of your heater, keep your heater clean - See MAINTENANCE INSTRUCTIONS.

SAVE THESE INSTRUCTIONS

INSTALLATION INSTRUCTIONS

⚠ WARNING ⚠

To prevent a possible fire, injury to persons or damage to the heater, adhere to the following:

1. Disconnect all power coming to heater at main service panel before wiring or servicing.
2. All wiring procedures and connections must be in accordance with the National and Local Codes having jurisdiction and the heater must be grounded.
3. Power supply must enter back box through the knockouts. See also TOP marking on the back box for proper orientation.
4. Verify the power supply voltage coming to heater matches the ratings as shown on the heater nameplate.

CAUTION: Energizing heater at a voltage greater than the voltage printed on the nameplate will damage the heater and void the warranty and could cause a fire.

5. **CAUTION** - High temperature, risk of fire, keep electrical cords, drapery, furnishings, and other combustibles at least 3 feet (0.9 m) from front of heater. Do not install heater behind doors, below towel racks, or in an area where it is subject to being blocked by furniture, curtains or storage materials. Hot air from the heater may damage certain fabrics and plastics.
6. To reduce the risk of fire, do not store or use gasoline or other flammable vapors and liquids in the vicinity of the heater.
7. This heater is to be wall mounted only (except 1000 watt units which can be ceiling mounted) using back box model WIX-DBB-A.
8. The following minimum clearances must be maintained: Bottom of heater to floor - 4-1/2" (114 mm)". Sides of heater to adjacent wall - 4-1/2" (114 mm). Top of heater to ceiling - 12" (305 mm).
9. Do not operate the heater without the grille installed.
10. Do not use this heater for dry out as the paint, plaster, sawdust and drywall sanding dust will permanently damage the heater and must be kept out of the heater.

The D-Series heaters are designed for recessed installation in 2 x 4 or larger wall studs or ceiling joists using the model WIX-DBB-A back box with the discharge grille (the smaller grille) to the top or bottom (see Figure 1). The heater may be wired using standard building (60 degrees C minimum) wire. Refer to the specification chart for appropriate wire size for the heater to be used.

All units in the D series rated 1000 watts and less may be installed recessed in the ceiling. If installed in the ceiling the heater may be oriented in any direction.

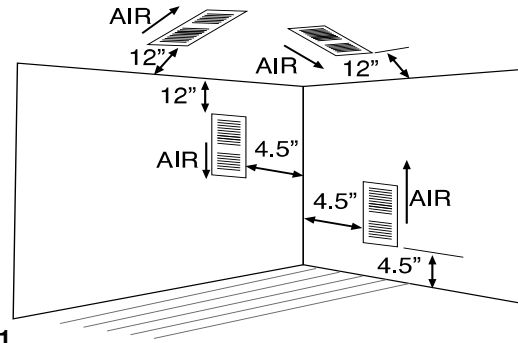


Figure 1

INSTALLATION OF BACK BOX IN NEW CONSTRUCTION

NOTE A: If the finished wall is already up, follow instructions for "INSTALLATION OF BACK BOX IN EXISTING CONSTRUCTION."

1. Determine which side of the back box is to be mounted against a stud or ceiling joist. (see Figure 2). Allow for the thickness of the finished surface when installing the back box. The edge of the back box must be installed flush with the finished surface. Markings on the side of the back box for 1/2" or 5/8" finishing wall are provided .

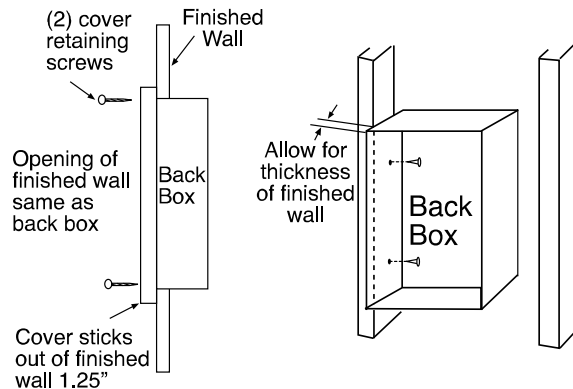


Figure 2

2. Remove fan deck from back box by removing 2 screws.
3. Position the back box on the stud or joist location desired and secure using two nails or screws as shown in figure 2.
4. Remove one knockout in the back box for entry of supply wiring cable.
5. Bring power supply wiring cable to the back box. Install a cable clamp and install into the back box, leaving at least 6" (152 mm) of cable inside the back box for connection to the heater lead wires.

NOTE B: Lead holes for a #8 sheet metal screw have been provided in the sides of the back box. (See Figure 2).

INSTALLATION OF BACK BOX IN EXISTING CONSTRUCTION

1. Determine which side of the back box is to be mounted against a wall stud or ceiling joist. See Figure 2.
2. Carefully mark and cut a hole in the wall or ceiling measuring 9-1/8" (231 mm) wide by 12-5/8" (320 mm) high with one side of the hole along the edge of a wall stud or ceiling joist. See Figure 3
3. Bring the power supply wiring cable to the heater mounting location, allowing approximately 10" (254 mm) length for use in installation.

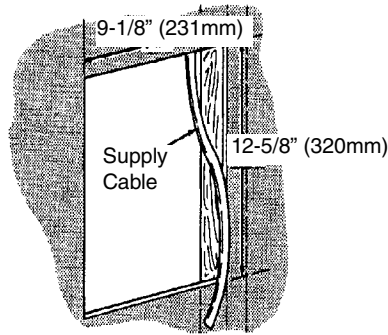


Figure 3

4. Remove fan deck from back box by removing 2 screws.
5. Remove knockout in the back box, install a cable clamp onto power supply cable and install the cable into the back box, leaving approximately 6" (152 mm) of cable inside the back box for connection to the heater lead wires.
6. Fit the back box into the opening by sliding the supply wiring cable into position. Back box must be installed with front edge flush with the finished surface. Secure the back box to stud using two nails or screws. (See note B).

INSTALLATION OF HEATER ASSEMBLY INTO BACK BOX

1. Re-install fan deck using two screws.
2. Connect field supply wiring to heater pigtail leads (See figure 4). Connect field ground wire to green ground lead wire.
3. Install front cover. Push on thermostat knob.

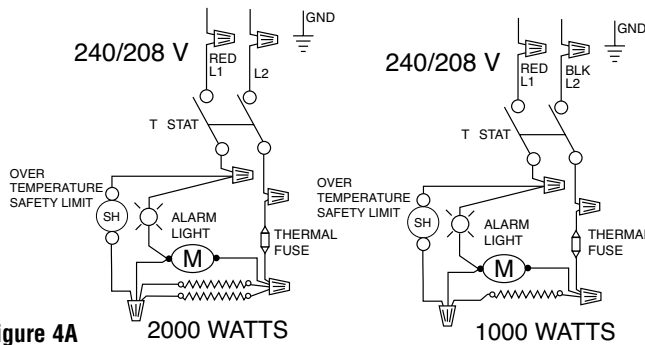


Figure 4A

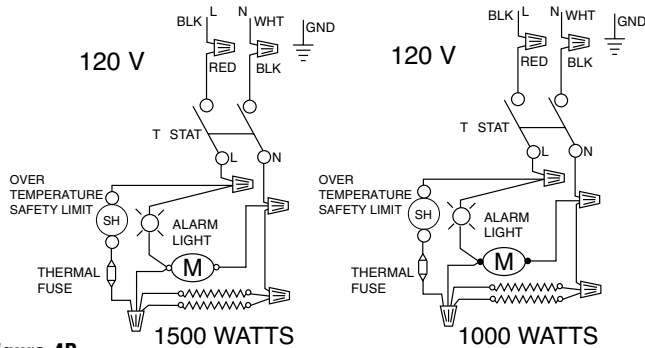


Figure 4B

OPERATING INSTRUCTIONS

1. Heater must be properly installed before operation.
2. After heater is completely assembled, rotate thermostat knob counterclockwise until control stops. This is the minimum heat setting.
3. Turn power supply to heater "ON" at main switch panel.
4. Heater should not operate. If it operates disconnect power and recheck wiring.
5. Rotate thermostat clockwise until it stops (maximum heat setting).
6. Heater and fan should come on. If heater and fan do not come on, disconnect power and check wiring.
7. Allow heater to continue to operate until room temperature reaches desired comfort level. Then rotate thermostat knob counterclockwise slowly until thermostat clicks off.
8. It may be necessary to readjust thermostat a time or so until exact comfort level is attained. Rotation in the clockwise direction will increase the amount of time the heater will produce heat. Rotation in the counterclockwise direction will reduce the amount of time the heater is on.

NOTE: For best results, the heater should be left "ON" constantly during the heating season as the thermostat, when properly set, will maintain the desired temperature. In the full counterclockwise position the heater will remain off until the room temperature drops well below freezing.

How To Reset Over -Temperature Safety Control:

This heater is provided with an over-temperature safety control that will turn the heater off if the heater overheats. If this control operates, a red warning light, visible through the front of the grille, will illuminate to alert the owner that the heater is off and requires attention.

⚠ WARNING ⚠

DO NOT TAMPER WITH OR BYPASS ANY SAFETY LIMITS INSIDE HEATER.

1. Turn the heater off at the thermostat AND disconnect power at the circuit breaker for at least 10 minutes to allow the heater to cool and the safety control to reset.
2. When the heater has cooled, check to see if the heater is blocked or excessively dirty as these conditions may cause overheating. Remove any blockages and /or refer to the **Cleaning Heater** section for cleaning instructions if dirty.
3. Turn circuit breaker on, reset thermostat to desired setpoint, and verify the heater is operating normally.
4. If the heater malfunctions again and the red light illuminates, disconnect power at the circuit breaker and have the heater inspected by a qualified electrician.

CAUTION ⚠

CAUTION - DO NOT CONTINUE TO ATTEMPT TO USE THE HEATER IF THE SAFETY CONTROL REPEATEDLY OPERATES AFTER BEING RESET. TO DO SO COULD PERMANENTLY DAMAGE THE HEATER OR CREATE A FIRE OR SAFETY HAZARD.

Special Note: In addition to the over-temperature safety control, this heater is provided with a back-up thermal fuse (one shot) that will permanently shut the heater off if for some reason the over-temperature safety control should not function as intended. If this thermal fuse activates, the heater will not reset and must be repaired by a qualified repair person

MAINTENANCE INSTRUCTIONS

It is important to keep this heater clean. Your heater will give you years of service and comfort with only minimum care. To assure efficient operation follow the simple instructions below.

⚠ WARNING ⚠

ALL SERVICING BEYOND SIMPLE CLEANING THAT REQUIRES DISASSEMBLY SHOULD BE PERFORMED BY QUALIFIED SERVICE PERSONNEL.

⚠ WARNING ⚠

TO REDUCE RISK OF FIRE AND ELECTRIC SHOCK OR INJURY, DISCONNECT ALL POWER COMING TO HEATER AT MAIN SERVICE PANEL AND CHECK THAT THE ELEMENT IS COOL BEFORE SERVICING OR PERFORMING MAINTENANCE.

User Cleaning Instructions:

(To be performed at least Annually)

1. After the heater has cooled, a vacuum cleaner with brush attachment may be used to remove dust and lint from exterior surfaces of the heater including the grille openings.
2. With a damp cloth, wipe dust and lint from grille and exterior surfaces.
3. Return power to heater and check to make sure it is operating properly.

Maintenance Cleaning Instructions:

(To be performed only by Qualified Service Personnel)

At least annually, the heater should be cleaned and serviced by a qualified service person to assure safe and efficient operation. This should include the removal of the grille and, as necessary the heater from the backbox to clean residue from the unit. After completing the cleaning and servicing, the heater should be fully reassembled and checked for proper operation.

LIMITED WARRANTY

All products manufactured by ASPEQ Heating Group are warranted against defects in workmanship and materials for one year from the date of purchase, except heating elements which are warranted against defects in workmanship and materials for five years from date of purchase. This warranty does not apply to damage from accident, misuse, or alteration; nor where the connected voltage is more than 5% above the nameplate voltage; nor to equipment improperly installed or wired or maintained in violation of the product's installation instructions. This warranty does not apply to refurbished products. All claims for warranty work must be accompanied by proof of the date of purchase.

The customer shall be responsible for all costs incurred in the removal or reinstallation of products, including labor costs, and shipping costs incurred to return products to ASPEQ Heating Group. Within the limitations of this warranty, inoperative units should be returned to ASPEQ Heating Group, and we will repair or replace, at our option, at no charge to you with return freight paid by ASPEQ. It is agreed that such repair or replacement is the exclusive remedy available from ASPEQ Heating Group.

THE ABOVE WARRANTIES ARE IN LIEU OF ALL OTHER WARRANTIES EXPRESSED OR IMPLIED, AND ALL IMPLIED WARRANTIES OF MERCHANTABILITY AND FITNESS FOR A PARTICULAR PURPOSE WHICH EXCEED THE AFORESAID EXPRESSED WARRANTIES ARE HEREBY DISCLAIMED AND EXCLUDED FROM THIS AGREEMENT. ASPEQ HEATING GROUP SHALL NOT BE LIABLE FOR CONSEQUENTIAL DAMAGES ARISING WITH RESPECT TO THE PRODUCT, WHETHER BASED UPON NEGLIGENCE, TORT, STRICT LIABILITY, OR CONTRACT.

Some states do not allow the exclusion or limitation of incidental or consequential damages, so the above exclusion or limitation may not apply to you. This warranty gives you specific legal rights, and you may have other rights which vary from state to state.

Contact ASPEQ Heating Group in St Louis, MO, at 314-333-5550. Merchandise returned to the factory must be accompanied by a return authorization and service identification tag, both available from ASPEQ Heating Group. When requesting return authorization, include all catalog numbers shown on the products.

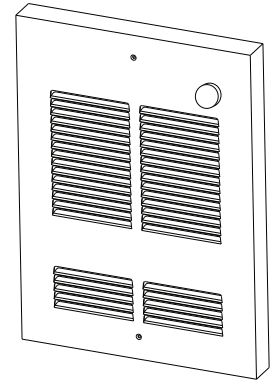
HOW TO OBTAIN WARRANTY SERVICE AND WARRANTY PARTS PLUS GENERAL INFORMATION

1. Warranty Service or Parts **314-333-5550**
2. General Product Information **www.aspeqheating.com**

Note: When obtaining service always have the following:

1. Model number of the product
2. Date of manufacture
3. Part number or description

ASPEQ
HEATING GROUP
St Louis, MO 63144 USA



Serie 934

Calefactores de pared y de cielorraso con ventilador



Instrucciones de instalación, operación y mantenimiento

Especificaciones

MODELO	VOLTS	AMPERES	WATTS	BTU/H	CALIBRE DE CABLE
934AW-D1012-C	120	8.3	1000	3413	14 awg
934AW-D1012-W	120	8.3	1000	3413	14 awg
934AW-D1512-W	120	12.6	1500	5120	12 awg
934AW-D1024-C	208	3.6	750	2560	14 awg
	240	4.2	1000	3413	14 awg
934AW-D1024-W	208	3.6	750	2560	14 awg
	240	4.2	1000	3413	14 awg
934AW-D2024-W	208	7.2	1500	5120	14 awg
	240	8.3	2000	6826	14 awg

INSTRUCCIONES IMPORTANTES

⚠️ ADVERTENCIA ⚠️

AL UTILIZAR ARTEFACTOS ELÉCTRICOS, PARA REDUCIR EL RIESGO DE INCENDIO, CHOQUE ELÉCTRICO Y LESIONES PERSONALES DEBEN OBSERVARSE SIEMPRE ALGUNAS PRECAUCIONES BÁSICAS, COMO LAS SIGUIENTES:

1. Lea todas las instrucciones antes de instalar o utilizar este calefactor.
2. Cuando está en funcionamiento, el calefactor está muy caliente. Para evitar quemaduras, no deje que su piel haga contacto directo con las superficies calientes. Mantenga los materiales combustibles como muebles, almohadas, ropas de cama, papeles, ropas, cortinas, etc. a 0.9 m (3 pies) como mínimo del frente del calefactor.
3. Se necesita extremo cuidado al utilizar cualquier calefactor junto a o cerca de niños o inválidos, y en todo momento en que el calefactor quede funcionando y desatendido.
4. No opere ningún calefactor después de que haya tenido una falla de funcionamiento. Desconecte la alimentación eléctrica en el tablero de servicio y haga revisar el calefactor por un electricista calificado antes de usarlo.
5. No use el equipo en exteriores.
6. Para desconectar el calefactor, lleve los controles a la posición Apagado (OFF) y desconecte la alimentación del circuito del calefactor en el tablero de desconexión principal.
7. No inserte ni permita que entren objetos extraños en ninguna abertura de ventilación o de descarga, porque esto puede ser causa de choque eléctrico, incendio o daño al calefactor.
8. Para evitar un posible incendio, no bloquee de ningún modo la entrada ni la descarga de aire.
9. Un calefactor tiene en su interior piezas calientes, y piezas en donde se producen arcos o chispas. No lo utilice en áreas en las que se utilice o almacene gasolina, pintura o líquidos inflamables.
10. Utilice este calefactor únicamente en la forma descrita en este manual. Cualquier otra forma de uso no recomendada por el fabricante puede ser causa de incendio, choque eléctrico o daños personales.
11. Este calefactor cuenta con una luz de alarma roja que se ilumina únicamente si el calefactor se ha apagado como resultado del sobrecalentamiento. Si usted ve la luz encendida, apague de inmediato el calefactor y haga una inspección para ver si hay objetos sobre o cerca del calefactor que pudieran haber bloqueado la circulación de aire o causado de alguna otra forma la presencia de altas temperaturas. **NO OPERE EL CALEFACTOR CON LA LUZ DE ALARMA ENCENDIDA.**
12. Este calefactor está destinado a aplicaciones de calefacción ambiental, y no es para utilizar en ambientes especiales. No lo use en lugares húmedos o mojados como zonas marítimas o invernaderos, ni en áreas en las que estén presentes agentes químicos o corrosivos.
13. Al realizar la instalación, vea las advertencias y precauciones adicionales en las INSTRUCCIONES DE INSTALACIÓN.
14. Para asegurar una operación segura y eficiente, y para extender la vida útil de su calefactor, manténgalo limpio. Vea las INSTRUCCIONES DE MANTENIMIENTO.

GUARDE ESTAS INSTRUCCIONES

INSTRUCCIONES DE INSTALACIÓN

⚠ ADVERTENCIA ⚠

Para evitar un posible incendio, lesiones personales o daños al calefactor, observe lo siguiente:

1. Antes de proceder a tareas de conexión o de reparación del calefactor, desconecte toda la alimentación eléctrica que llega al mismo desde el tablero principal de servicio.
2. Todos los procedimientos de cableado y conexiones deben hacerse de conformidad con los códigos nacionales y locales que tengan jurisdicción, y el calefactor debe estar conectado a tierra.
3. La alimentación eléctrica debe ingresar a la caja posterior a través de los prepunzonados. Verifique también la marca ARRIBA (TOP) de la caja posterior para asegurar una orientación correcta.
4. Verifique que la tensión de alimentación provista al calefactor coincida con la tensión nominal indicada en la placa de características del mismo.

ATENCIÓN: si se energiza un calefactor con una tensión mayor que el valor de tensión impreso en la placa de características, se dañará el calefactor, se anulará la garantía, y podría producirse un incendio.

5. **ATENCIÓN:** alta temperatura, riesgo de incendio. Mantenga los cables eléctricos, cortinados, muebles y otros elementos combustibles a 0.9 m (3 pies) como mínimo del frente del calefactor. No instale el calefactor detrás de puertas, debajo de toalleros, o en un área en el que esté sujeto a bloqueo por muebles, cortinas o materiales almacenados. El aire caliente que sale del calefactor puede dañar algunas telas y plásticos.
6. Para reducir el riesgo de incendio, no almacene ni use gasolina u otros vapores y líquidos inflamables en las cercanías del calefactor.
7. Este calefactor es para montar en la pared únicamente (excepto las unidades de 1000 watts, que pueden montarse en el cielorraso) mediante la caja posterior modelo WIX-DBB-A.
8. Deben mantenerse las distancias mínimas que se indican a continuación:
 - Del fondo del calefactor al piso: 114 mm (4-1/2").
 - De los costados del calefactor a la pared adyacente: 114 mm (4-1/2").
 - Del extremo superior del calefactor al cielorraso: 305 mm (12").
9. No haga funcionar el calefactor sin haber instalado la rejilla.
10. No utilice este calefactor para fines de secado, ya que la pintura, el yeso, el aserrín y el polvo proveniente del lijado de paredes secas provocarán daños permanentes al calefactor, por lo que no deben entrar al mismo.

Los calefactores serie D están diseñados para una instalación empotrada en vigas de techo o travesaños de pared de 38 mm x 89 mm (2" x 4") o mayores, mediante la caja posterior modelo WIX-DBB-A con la rejilla de descarga (la rejilla más chica) hacia arriba o hacia abajo (vea la Figura 1). El calefactor puede cablearse con cable estándar para edificios (para 60 °C como mínimo). Vea los calibres apropiados de cables para utilizar con el calefactor en el cuadro de especificaciones.

Todas las unidades de la serie D con especificación de 1000 watts o menor pueden instalarse empotradas en el cielorraso. Si se lo instala en el cielorraso, el calefactor puede orientarse en cualquier dirección.

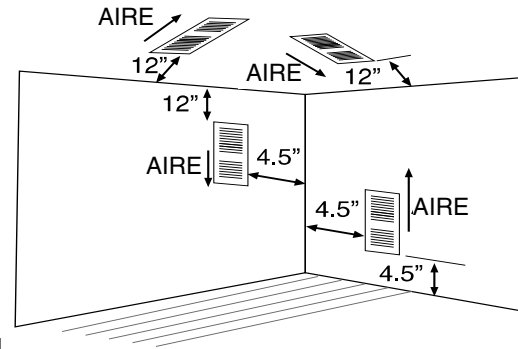


Figura 1

INSTALACION DE LA CAJA POSTERIOR EN UNA CONSTRUCCION NUEVA

NOTA A: Si la pared ha sido construída y terminada anteriormente, siga las instrucciones de 'INSTALACIÓN DE LA CAJA POSTERIOR EN UNA CONSTRUCCIÓN EXISTENTE'.

1. Determine cuál de los lados de la caja posterior va a montarse contra un travesaño o viga de techo (vea la Figura 2). Al instalar la caja posterior, tenga en cuenta el espesor de la superficie terminada. El borde de la caja posterior debe instalarse enrasado con la superficie terminada. En el costado de la caja posterior se han provisto marcas para paredes terminadas de 13 mm (1/2") y de 16 mm (5/8").

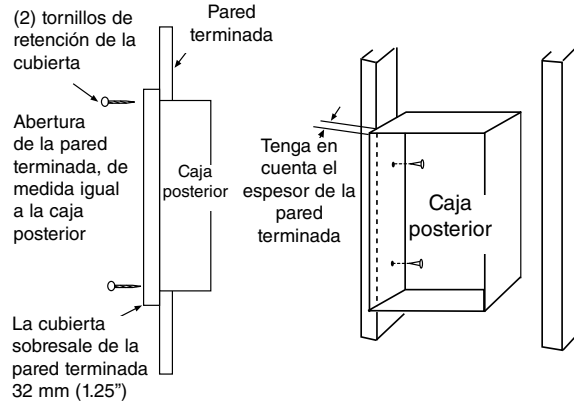


Figura 2

2. Quite los 2 tornillos para retirar la plataforma del ventilador de la caja posterior.
3. Coloque la caja posterior en la ubicación deseada del travesaño o viga y asegúrela mediante clavos o tornillos, como se muestra en la figura 2.
4. Quite un prepunzonado de la caja posterior para la entrada del cable de alimentación eléctrica.
5. Haga llegar el cable de alimentación eléctrica a la caja posterior. Instale una abrazadera para cables e inserte en la caja posterior, dejando al menos 152 mm (6") de cable dentro de la caja posterior para conectar los cables de conexión del calefactor.

NOTA B: en los lados de la caja posterior se han provisto agujeros de guía para tornillos para chapa N° 8 (vea la Figura 2).

INSTALACION DE LA CAJA POSTERIOR EN UNA CONSTRUCCION EXISTENTE

1. Determine cuál de los lados de la caja posterior va a montarse contra un travesaño de pared o viga de techo. Vea la Figura 2.
2. Marque y corte cuidadosamente en la pared o cielorraso un agujero con una medida de 231 mm (9-1/8") de ancho por 320 mm (12-5/8") de alto, con un lado del agujero a lo largo del borde de un travesaño de pared o viga de techo. Vea la Figura 3
3. Haga llegar el cable de alimentación eléctrica al lugar de montaje del calefactor, dejando una longitud de aproximadamente 254 mm (10") para usar en la instalación.

INSTRUCCIONES DE OPERACIÓN

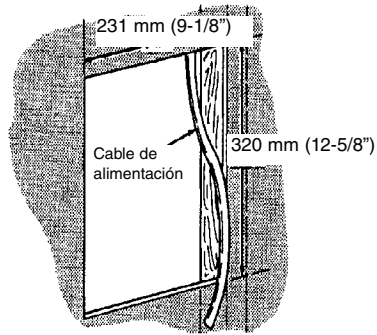


Figura 3

- Quite los 2 tornillos para retirar la plataforma del ventilador de la caja posterior.
- Quite el prepunzonado de la caja posterior, instale una abrazadera para cables en el cable de alimentación eléctrica e instale el cable en la caja posterior, dejando aproximadamente 152 mm (6") de cable dentro de la caja posterior para conectar los cables de conexión del calefactor.
- Acomode la caja posterior en la abertura; para hacerlo, deslice el cable de alimentación eléctrica a su posición. La caja posterior debe instalarse de modo que el borde frontal quede enrasado con la superficie terminada. Asegure la caja posterior en el travesaño mediante dos clavos o tornillos (vea la Nota B).

INSTALACIÓN DEL CONJUNTO DE CALEFACTOR EN LA CAJA POSTERIOR

- Reinstale la plataforma del ventilador mediante los dos tornillos.
- Conecte el cableado de alimentación eléctrica del sitio a los conductores flexibles del calefactor (vea la figura 4). Conecte el cable de puesta a tierra del sitio al conductor de tierra verde.
- Instale la cubierta delantera. Oprima la perilla del termostato.

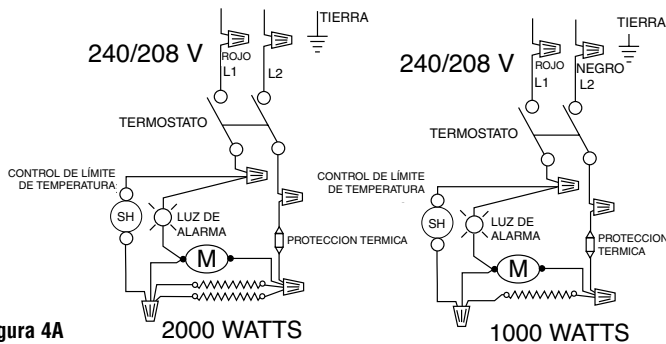


Figura 4A

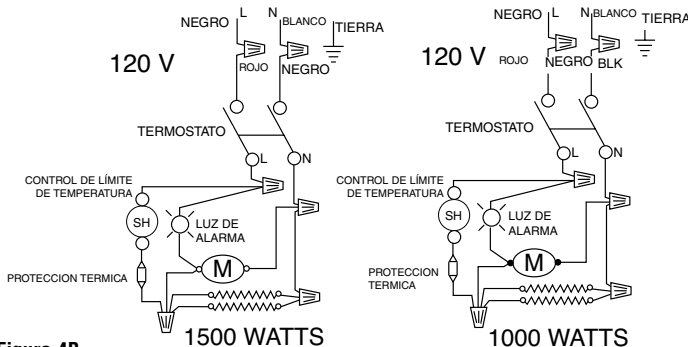


Figura 4B

- El calefactor debe instalarse correctamente antes de ponerlo en funcionamiento.
- Después de que el calefactor esté montado por completo, haga girar la perilla del termostato en sentido antihorario hasta que el control llegue a un tope. Esta es la posición de calor mínimo.
- Conecte la alimentación eléctrica al calefactor en el tablero de distribución principal.
- En esas condiciones, el calefactor no debe funcionar. Si funciona, desconecte la alimentación eléctrica y vuelva a inspeccionar el conexionado.
- Haga girar la perilla del termostato en sentido horario hasta que llegue a un tope (posición de calor máximo).
- El calefactor y el ventilador deben encenderse. Si el calefactor y el ventilador no entran en funcionamiento, desconecte la alimentación eléctrica e inspeccione el conexionado.
- Deje que el calefactor continúe funcionando hasta que la temperatura ambiente alcance el nivel de confort deseado. Luego haga girar la perilla del termostato lentamente en sentido antihorario, hasta que se escuche el 'clíc' que indica que el termostato apagó el calefactor.
- Puede que sea necesario volver a ajustar el termostato una o más veces hasta que se alcance el nivel de confort exacto. La rotación en sentido horario aumentará el tiempo durante el cual el calefactor producirá calor. La rotación en sentido antihorario reducirá el tiempo durante el cual el calefactor está encendido.

NOTA: para obtener los mejores resultados, el calefactor debe permanecer constantemente Encendido ('ON') durante la temporada en que se necesite calefacción, ya que el termostato, siempre que esté correctamente ajustado, mantendrá la temperatura deseada. En la posición extrema en sentido antihorario, el calefactor permanecerá Apagado ('OFF') hasta que la temperatura de la habitación disminuya bien por debajo del punto de congelación.

Cómo efectuar la reposición del control de seguridad contra sobretemperatura:

Este calefactor está equipado con un control de seguridad contra sobretemperatura que apagará el calefactor si se sobrecalienta. Si se activa este control se encenderá una luz roja de advertencia, visible a través del frente de la rejilla, para alertar al usuario de que el calefactor está apagado y requiere atención.



NO ALTERE NI PUENTE NINGÚN LÍMITE DE SEGURIDAD INTERNO DEL CALEFACTOR.

- Apague el calefactor en el termostato Y desconecte la alimentación eléctrica en el interruptor automático durante al menos 10 minutos, para permitir el enfriamiento del calefactor y la reposición del control de seguridad.
- Una vez enfriado el calefactor, verifique si está bloqueado o excesivamente sucio, ya que estas condiciones pueden provocar el sobrecalentamiento. Elimine todo bloqueo y/o consulte la sección de **Limpieza del calefactor** para obtener instrucciones de limpieza si está sucio.
- Encienda el interruptor automático, reposicione el termostato en el valor prefijado deseado, y verifique que el calefactor funcione con normalidad.
- Si el calefactor vuelve a tener una falla de funcionamiento y se enciende la luz roja, desconecte la alimentación eléctrica en el interruptor automático y haga revisar el calefactor por un electricista calificado.

PRECAUCION

ATENCIÓN: SI EL CONTROL DE SEGURIDAD SE ACTIVA REPETIDAMENTE DESPUÉS DE LA REPOSICIÓN, NO VUELVA A INTENTAR USAR EL CALEFACTOR. SI LO HACE, EL CALEFACTOR PUEDE SUFRIR DAÑOS PERMANENTES, O PROVOCAR UN INCENDIO O RIESGO PARA LA SEGURIDAD.

Nota especial: además del control de seguridad contra sobretemperatura, este calefactor está equipado con un fusible térmico de reserva (disparo único) que apagará permanentemente el calefactor si por alguna razón el control de seguridad contra sobretemperatura no funciona como está previsto. Si se activa este fusible térmico el calefactor no volverá a funcionar, y debe ser reparado por un técnico de servicio calificado.

INSTRUCCIONES DE MANTENIMIENTO

Es importante mantener limpio este calefactor. Su calefactor le brindará muchos años de servicio y confort con sólo un mínimo de cuidado. Para asegurar un funcionamiento eficiente, observe las instrucciones simples que se indican a continuación.

ADVERTENCIA

TODOSERVICIO, MÁS ALLÁ DE UNA SIMPLE LIMPIEZA, QUE REQUIERA UN DESMONTAJE DEBE SER REALIZADO POR PERSONAL DE SERVICIO CALIFICADO.

ADVERTENCIA

PARA REDUCIR EL RIESGO DE INCENDIO Y DE CHOQUE ELÉCTRICO O LESIONES, DESCONECTE TODA LA ALIMENTACIÓN ELÉCTRICA QUE LLEGA AL CALEFACTOR EN EL TABLERO PRINCIPAL DE SERVICIO Y VERIFIQUE QUE EL ELEMENTO CALEFACTOR ESTÉ FRÍO ANTES DE PRESTAR SERVICIO O DE REALIZAR EL MANTENIMIENTO.

Instrucciones de limpieza para el usuario:

(Se realizará al menos una vez al año)

1. Después de que el calefactor se haya enfriado, puede utilizarse una aspiradora con accesorio de cepillo para eliminar el polvo y la pelusa de las superficies exteriores del calefactor, incluidas las aberturas de la rejilla.
2. Con un paño húmedo, elimine el polvo y la pelusa de la rejilla y las superficies exteriores.
3. Vuelva a conectar la alimentación eléctrica al calefactor y asegúrese de que funcione correctamente.

Instrucciones de limpieza de mantenimiento:

(a realizarse únicamente por personal de servicio calificado)

Al menos una vez por año, un técnico de servicio calificado debe limpiar y prestar servicio al calefactor para asegurar un funcionamiento seguro y eficiente. Esto debe incluir la extracción de la rejilla y, de ser necesario, la extracción del calefactor de la caja posterior para limpiar residuos en la unidad. Después de completada la limpieza y servicio, el calefactor debe volver a montarse completamente y verificarse que funcione correctamente.

GARANTÍA LIMITADA

Todos los productos fabricados por ASPEQ Heating Group están garantizados contra defectos de fabricación y de materiales por 1 año desde la fecha de compra, excepto los elementos calefactores los cuales están garantizados contra defectos en manufactura y materiales durante 5 años a partir de la fecha de compra. Esta garantía no se aplica a daños debidos a accidente, mal uso o alteración, ni a los casos en que la tensión eléctrica conectada supere a la tensión nominal indicada en la placa de características- en más de 5%, ni a equipos que hayan sido instalados o cableados incorrectamente, o mantenidos en forma que no cumpla lo indicado en las instrucciones de instalación del producto. Esta garantía no se aplica a los productos reacondicionados. Todo reclamo por trabajos en garantía debe acompañarse con una prueba de la fecha de compra.

El cliente será responsable de todos los costos incurridos en el retiro o reinstalación de productos, incluyendo los costos de mano de obra y los costos de envío incurridos para regresar productos a un Centro de Servicio de ASPEQ Heating Group. Dentro de las limitaciones de esta garantía, las unidades que no funcionan deben regresarse al centro de servicio autorizado ASPEQ más cercano, o al Centro de Servicio de ASPEQ Heating Group, y nosotros lo repararemos o reemplazaremos, a nuestra opción, sin cargo para usted, con el flete de retorno pagado por ASPEQ. Se acuerda que tal reparación o reemplazo es el único recurso que ASPEQ Heating Group pone a su disposición.

LAS GARANTÍAS EXPUESTAS MÁS ARRIBA TOMAN EL LUGAR DE TODA OTRA GARANTÍA, EXPRESA O IMPLÍCITA, Y POR LA PRESENTE SE DECLINA Y EXCLUYE DE ESTE ACUERDO TODA GARANTÍA IMPLÍCITA DE COMERCIABILIDAD Y ADECUACIÓN A UN PROPÓSITO PARTICULAR QUE EXCEDA LAS GARANTÍAS EXPRESAS ANTEDICHAS. ASPEQ HEATING GROUP NO SE HARÁ RESPONSABLE POR DAÑOS CONSIGUIENTES QUE SE PRODUZCAN CON RESPECTO AL PRODUCTO, EN BASE YA SEA A NEGLIGENCIA, AGRAVIO, RESPONSABILIDAD ESTRICTA, O CONTRATO.

Algunos estados o jurisdicciones no permiten la exclusión o limitación de daños incidentales o consiguientes, de modo que la exclusión o limitación expresada más arriba puede no aplicarse a su caso. Esta garantía le da derechos legales específicos, y usted puede tener también otros derechos, que varían de un estado o jurisdicción a otro.

Para obtener la dirección de su centro de servicio autorizado más cercano comuníquese con ASPEQ Heating Group en St Louis, MO, Estados Unidos, llamando al 314-333-5550. Toda mercadería regresada a la fábrica debe ser acompañada por una autorización de retorno y una etiqueta de identificación de servicio, disponibles ambas en ASPEQ Heating Group. Cuando solicite la autorización de retorno, incluya todos los números de catálogo mostrados en los productos.

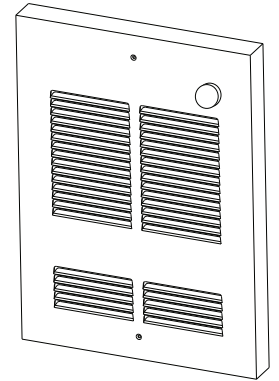
CÓMO OBTENER SERVICIO EN GARANTÍA, PIEZAS DE REPUESTO E INFORMACIÓN GENERAL

- | | |
|--|--|
| 1. Servicio o repuestos en garantía | 314-333-5550 |
| 2. Información general sobre productos | www.aspeqheating.com |

Nota: cuando solicite servicio, siempre dé la información que sigue:

1. Número de modelo del producto
2. Fecha de fabricación
3. Número de parte o descripción

ASPEQ
HEATING GROUP
St Louis, MO 63144 USA



Série 934

Radiateurs muraux et de plafond à air pulsé



Instructions d'installation, d'utilisation et d'entretien

Spécifications

MODÈLE	VOLTS	AMPÈRES	WATTS	BTU/HR	TAILLE DE FILS
934AW-D1012-C	120	8.3	1000	3413	14 awg
934AW-D1012-W	120	8.3	1000	3413	14 awg
934AW-D1512-W	120	12.6	1500	5120	12 awg
934AW-D1024-C	208	3.6	750	2560	14 awg
	240	4.2	1000	3413	14 awg
934AW-D1024-W	208	3.6	750	2560	14 awg
	240	4.2	1000	3413	14 awg
934AW-D2024-W	208	7.2	1500	5120	14 awg
	240	8.3	2000	6826	14 awg

INSTRUCTIONS IMPORTANTES

⚠ AVERTISSEMENT ⚠

LORS DE L'UTILISATION D'APPAREILS ÉLECTRIQUES, DES PRÉCAUTIONS DE BASE DOIVENT TOUJOURS ÊTRE SUIVIES AFIN DE RÉDUIRE LE RISQUE DE DÉPART D'INCENDIE, DE COMMOTION ÉLECTRIQUE ET DE BLESSURES AUX PERSONNES, INCLUANT CELLES QUI SUIVENT :

1. Lisez toutes les instructions avant d'installer ou d'utiliser le radiateur.
2. Ce radiateur est chaud quand il est en fonctionnement. Pour éviter des brûlures, ne laissez pas de peau nue toucher ses surfaces chaudes. Maintenez les matières combustibles comme le mobilier, les oreillers, la literie, les papiers, les vêtements et les couvertures, à au moins 3 pieds (90 cm) de distance de l'avant du radiateur.
3. Il faut faire très attention quand un radiateur quelconque est utilisé par des enfants ou des personnes invalides ou près d'eux, et à chaque fois que le radiateur est laissé en marche sans surveillance.
4. N'utilisez plus un radiateur s'il a présenté des dysfonctionnements. Débranchez son alimentation au panneau de distribution du secteur et faites-le inspecter par un bon électricien avant de le réutiliser.
5. Ne l'utilisez pas à l'extérieur.
6. Pour déconnecter le radiateur, passez sa commande sur arrêt (Off) et coupez le secteur en amont au panneau de distribution.
7. N'insérez pas d'objets étrangers, et ne permettez pas qu'il en entre, dans toute ouverture d'admission ou d'évacuation, car cela peut causer une commotion électrique ou un départ d'incendie, ou endommager le radiateur.
8. Pour éviter un possible départ d'incendie, n'obstruez en aucune façon les admissions et les échappements d'air.
9. Un radiateur comporte à l'intérieur des parties chaudes, et pouvant produire un arc ou des étincelles électriques. Ne l'utilisez pas dans des zones où de l'essence ou des liquides inflammables sont utilisés ou entreposés.
10. N'utilisez ce radiateur que comme c'est décrit dans ce manuel. Toute autre utilisation non recommandée par le constructeur peut causer un départ d'incendie, une commotion électrique ou des blessures corporelles.
11. Ce radiateur est fourni avec un voyant rouge d'alarme qui ne s'allumera que si le radiateur a été coupé suite à une surchauffe. Si vous voyez ce voyant allumé, arrêtez immédiatement le radiateur et inspectez pour voir s'il y a des objets dessus ou à côté qui pourraient avoir bloqué le flux d'air ou avoir fait qu'une surchauffe soit survenue. **NE FAITES PAS FONCTIONNER LE RADIATEUR AVEC LE VOYANT D'ALARME ALLUMÉ.**
12. Ce radiateur est prévu pour des applications de chauffage de confort, et n'est pas conçu pour une utilisation dans des endroits spéciaux. Ne l'utilisez pas dans des lieux humides ou mouillés, tels que dans un contexte marin ou une serre, ou dans des endroits où il y a présence d'agents corrosifs ou chimiques.
13. Lors de l'installation, voyez les INSTRUCTIONS D'INSTALLATION pour des mises en gardes et précautions supplémentaires.
14. Pour un fonctionnement sûr et efficace, et pour prolonger sa durée de service, gardez votre radiateur propre – Voyez les INSTRUCTIONS D'ENTRETIEN.

CONSERVEZ CES INSTRUCTIONS

INSTRUCTIONS D'INSTALLATION

⚠ AVERTISSEMENT ⚠

Pour éviter un possible départ d'incendie, des blessures corporelles ou des dommages au radiateur, respectez ces consignes :

1. Débranchez toute alimentation secteur arrivant au panneau de service principal avant de câbler ou d'intervenir pour du service.
2. Toutes les procédures de câblage et les raccordements doivent être en conformité avec les normes nationales et locales applicables, et le radiateur doit être relié à la terre.
3. L'alimentation secteur doit entrer dans le boîtier arrière au travers des pastilles à enfonceur.
4. Voir également le marquage de HAUT sur le boîtier arrière pour la bonne orientation. 4. Vérifiez que la tension du secteur arrivant au radiateur correspond bien aux valeurs spécifiées sur sa plaque signalétique.

ATTENTION : Alimenter le radiateur avec une tension supérieure à celle imprimée sur sa plaque signalétique l'endommagerait, annulerait sa garantie et pourrait provoquer un départ d'incendie.

5. **ATTENTION** - Température élevée et risque de départ d'incendie, gardez les cordons électriques, les draperies et textiles d'intérieur, et d'autres matières combustibles, à au moins 3 pieds (90 cm) de l'avant du radiateur. N'installez pas le radiateur derrière des portes, sous des porteserviettes ou dans une zone où il est susceptible d'être bloqué par des meubles, des rideaux ou des matériaux de rangement. L'air chaud venant du radiateur peut endommager certains tissus et plastiques.
6. Pour réduire le risque de départ d'incendie, n'entreposez pas et n'utilisez pas d'essence ou d'autres produits inflammables sous forme de liquide ou de vapeurs à proximité du radiateur.
7. Le radiateur peut être monté sur mur uniquement (sauf les appareils en 1 000 W qui peuvent être aussi montés au plafond) en utilisant le boîtier arrière modèle WIX-DBB-A.
8. Les écartements suivants doivent être respectés :
 - Du bas du radiateur au plancher – 4-1/2" (114 mm).
 - Des côtés du radiateur à un mur adjacent – 4-1/2" (114 mm).
 - Du haut du radiateur au plafond - 12" (305 mm).
9. Ne faites pas fonctionner le chauffage sans que sa grille soit en place.
10. N'utilisez pas ce radiateur pour faire sécher de la peinture, du plâtre. De la sciure ou de la poussière de ponçage de cloison sèche endommagerait de façon permanente le radiateur, qui doit être tenu à l'écart.

Les radiateurs de Série D sont conçus pour une installation encastrée entre des poteaux muraux de 38 mm x 89 mm ou plus, ou des solives de plafond, en utilisant le boîtier arrière modèle WIX-DBB-A avec la grille d'évacuation (la plus petite) en haut ou en bas (Voyez la Figure 1). Le radiateur peut être câblé en utilisant du fil standard pour bâtiment (supportant au moins 60 °C). Référez-vous au Tableau de spécifications pour le calibre approprié de fils à utiliser avec le radiateur.

Tous les appareils de la série D spécifiés pour 1 000 watts ou moins peuvent être installés encastrés dans le plafond. S'il est installé dans le plafond, le radiateur peut être orienté dans n'importe

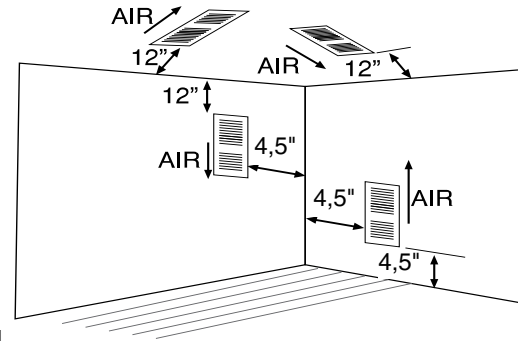


Figure 1

INSTALLATION DE BOÎTIER ARRIÈRE DANS UNE CONSTRUCTION NEUVE

REMARQUE A : Si la finition de surface du mur est déjà faite, suivez les instructions pour "INSTALLATION DU BOÎTIER ARRIÈRE DANS UNE CONSTRUCTION EXISTANTE".

1. Déterminez quel côté du boîtier arrière sera monté contre un poteau mural ou une solive de plafond (Voyez la Figure 2). Prévoyez l'épaisseur de la surface finie au moment de l'installation du boîtier arrière. Le rebord du boîtier arrière doit arriver juste au niveau de la surface finie finale. Des repérages sur les côtés du boîtier arrière pour des finitions de mur d'épaisseur 1/2" ou 5/8" (12,7 ou 15,9 mm) sont fournis.

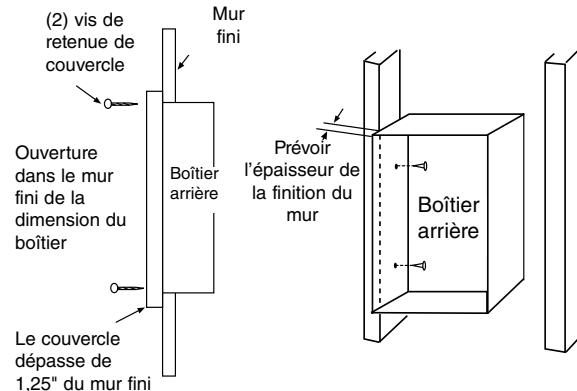


Figure 2

2. Enlevez la plate-forme du boîtier arrière en ôtant 2 vis.
3. Positionnez le boîtier arrière sur le poteau ou la solive à l'endroit voulu et fixez-le à l'aide de deux clous ou vis comme indiqué sur la Figure 2.
4. Ouvrez une pastille dans le boîtier arrière pour l'entrée du câble d'alimentation secteur.
5. Amenez le câble d'alimentation secteur vers l'intérieur du boîtier arrière. Installez un serre-câble et passez le câble en laissant au moins 6" (152 mm) de long dans le boîtier pour le raccordement avec les fils d'alimentation du radiateur.

REMARQUE B : Des avant-trous pour vis de tôle de #8 ont été fournis sur les côtés du boîtier arrière (Voyez la Figure 2).

INSTALLATION DE BOÎTIER ARRIÈRE DANS UNE CONSTRUCTION EXISTANTE

1. Déterminez quel côté du boîtier arrière sera monté contre un poteau mural ou une solive de plafond (Voyez la Figure 2).
2. Marquez soigneusement et découpez un trou dans le mur ou le plafond, mesurant 9-1/8" (231 mm) sur 12-5/8" (320 mm), avec un des côtés le long d'un poteau mural ou d'une solive de plafond (Voyez la Figure 3).
3. Amenez le câble d'alimentation secteur jusqu'à l'emplacement de montage du radiateur, en laissant un excédent d'environ 10" (254 mm) qui servira au moment de l'installation.

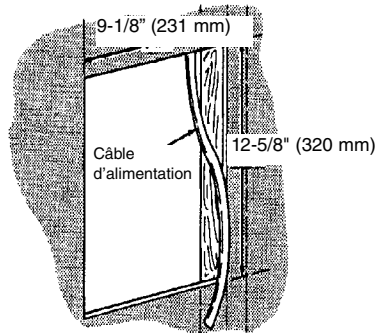


Figure 3

1. Enlevez la plate-forme du boîtier arrière en ôtant 2 vis.
2. Ouvrez une pastille dans le boîtier arrière, installez dessus un serre-câble et faites entrer le câble d'alimentation secteur dans le boîtier, en laissant au moins 6" (152 mm) de long dans le boîtier pour le raccordement avec les fils d'alimentation du radiateur.
3. Ajustez le boîtier arrière dans l'ouverture en glissant le câble d'alimentation en bonne position. Le boîtier arrière doit être placé avec son rebord frontal au même niveau que la finition de surface. Fixez le boîtier au poteau mural en utilisant des clous ou des vis (Voyez la Remarque B).

INSTALLATION DE L'ENSEMBLE DE RADIATEUR DANS LE BOÎTIER ARRÈRE

1. Réinstallez la plate-forme de ventilateur en utilisant deux vis.
2. Connectez le câblage d'alimentation secteur du site sur les fils en tire-bouchon du radiateur (Voyez la Figure 4). Connectez le fil de terre locale au fil de terre vert du radiateur.
3. Remettez en place le couvercle frontal. Enfoncez le bouton du thermostat.

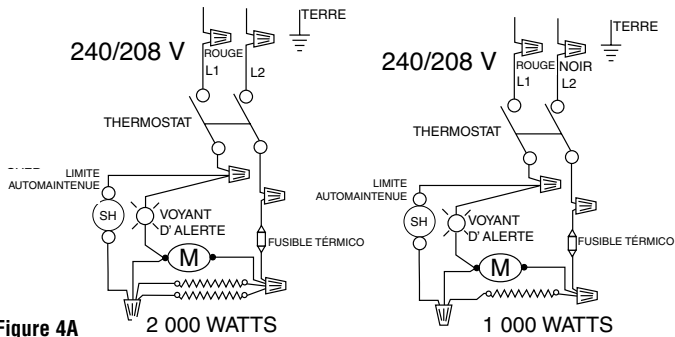


Figure 4A

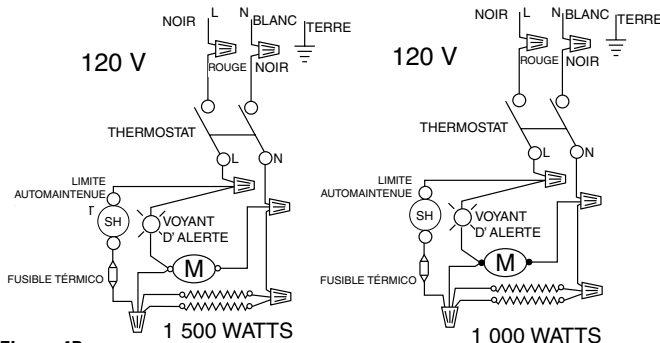


Figure 4B

INSTRUCTIONS D'UTILISATION

1. Le radiateur doit être correctement installé avant d'être mis en marche.
2. Une fois le radiateur complètement assemblé, tournez le bouton de thermostat complètement en sens antihoraire jusqu'à l'arrêt. C'est le réglage de consigne minimale de température.
3. Mettez le radiateur en marche (ON) au panneau de commande principal.
4. Le radiateur ne doit pas démarrer. S'il démarrait coupez son alimentation et revérifiez le câblage.
5. Tournez le thermostat en sens horaire complètement jusqu'à la butée.
6. Radiateur et ventilateur doivent s'activer. Si ce n'est pas le cas, débranchez l'alimentation et vérifiez le câblage.
7. Laissez le radiateur continuer de fonctionner jusqu'à ce que la température de la pièce atteigne le niveau confortable souhaité. Tournez alors le bouton du thermostat en sens antihoraire jusqu'à l'obtention d'un déclit.
8. Il peut être nécessaire de réajuster le thermostat une ou deux fois jusqu'à ce que la température exacte de confort soit obtenue. Une rotation en sens horaire va augmenter la durée pendant laquelle le radiateur va chauffer. Une rotation en sens antihoraire va réduire la durée de fonctionnement du radiateur.

REMARQUE : Pour obtenir les meilleurs résultats, le radiateur doit rester en marche (ON) en permanence durant la saison de chauffage, du fait que le thermostat quand il est bien réglé maintiendra la température désirée. Mis en position antihoraire à fond, le radiateur restera arrêté jusqu'à ce que la température ambiante retombe bien au delà du niveau de gel.

Comment restaurer le fonctionnement – Contrôle de sécurité sur température :

Le radiateur est fourni avec un contrôle de sécurité sur emballement thermique, qui le coupera en cas de surchauffe. Quand ce contrôle se déclenche, un voyant d'alerte rouge, visible au travers de la grille, va s'allumer pour prévenir le propriétaire que le radiateur a été coupé et nécessite une intervention.

⚠ AVERTISSEMENT ⚠

NE TOUCHEZ PAS ET NE CONTOURNEZ PAS LES LIMITES DE SÉCURITÉ À L'INTÉRIEUR DU RADIATEUR.

1. Passez le radiateur à l'arrêt (OFF) ET arrêtez son alimentation en amont au disjoncteur pendant au moins 10 minutes afin de le laisser refroidir et faire que le contrôle se restaure.
2. Quand le radiateur a refroidi, vérifiez s'il a été bloqué ou s'il est très sale, car ces conditions provoquent une surchauffe. Éliminez les éventuels blocages et/ou référez-vous à la section **Nettoyage du radiateur** pour des instructions de nettoyage s'il est sale.
3. Rétablissez l'alimentation électrique en amont, remettez le thermostat au point de consigne voulu, et vérifiez le bon fonctionnement du radiateur.
4. Si le radiateur est de nouveau défaillant, et que son voyant rouge s'allume, coupez l'alimentation électrique en amont et faites inspecter le radiateur par un électricien qualifié.

ATTENTION ⚠

NE CONTINUEZ PAS D'ESSAYER D'UTILISER LE RADIATEUR SI SON CONTRÔLE DE SÉCURITÉ SE DÉCLENCHE À RÉPÉTITION APRÈS SA RESTAURATION. EN LE FAISANT VOUS POURRIEZ L'ENDOMMAGER DE FAÇON IRRÉMÉDIABLE OU CAUSER UN DÉPART D'INCENDIE OU DES RISQUES POUR LA SÉCURITÉ.

Note spéciale : En plus d'un contrôle de sécurité sur surchauffe, le radiateur est fourni avec un fusible thermique de secours (un seul usage) qui coupera le radiateur de façon permanente si pour une quelconque raison le contrôle de sécurité sur surchauffe n'avait pas fonctionné comme prévu. Si ce fusible thermique grille, le radiateur ne se restaurera pas et il faudra le faire réparer par une personne qualifiée.

INSTRUCTIONS D'ENTRETIEN

Il est important de garder propre le radiateur. Votre radiateur vous fournira des années de bon service et de confort avec juste un minimum de soins. Pour assurer son fonctionnement efficace, suivez les instructions simples ci-dessous :

AVERTISSEMENT

TOUTE INTERVENTION DE SERVICE AU-DELÀ D'UN SIMPLE NETTOYAGE, QUI NÉCESSITE UN DÉMONTAGE, DEVRA ÊTRE RÉALISÉE PAR DU PERSONNEL DE SERVICE QUALIFIÉ.

AVERTISSEMENT

POUR RÉDUIRE LE RISQUE DE DÉPART D'INCENDIE ET DE COMMOTION ÉLECTRIQUE OU DE BLESSURE, DÉBRANCHEZ TOUTE ALIMENTATION ÉLECTRIQUE ALLANT AU RADIATEUR EN AMONT AU PANNEAU DE SERVICE, ET VÉRIFIEZ QUE L'ÉLÉMENT DE CHAUFFE EST FROID AVANT D'INTERVENIR POUR DU SERVICE OU DE L'ENTRETIEN.

Instructions de nettoyage par l'utilisateur:

(A réaliser au moins une fois par an)

1. Une fois que le radiateur est froid, vous pouvez utiliser un aspirateur avec son accessoire brosse pour éliminer la poussière et les peluches des surfaces extérieures du radiateur, y compris les ouvertures de la grille.
2. Avec un chiffon humide, enlevez poussière et peluche de la grille et des surfaces extérieures.
3. Remettez le radiateur sous tension et vérifiez son bon fonctionnement.

Instructions de nettoyage d'entretien:

(Ne doit être exécuté que par du personnel de service qualifié)

Au moins une fois par an le radiateur doit être nettoyé et vérifié par une personne de service qualifiée afin d'assurer un fonctionnement sûr et efficace. Cela doit inclure la dépose de la grille et si nécessaire la sortie du radiateur du boîtier arrière, afin de nettoyer les résidus de l'appareil. Une fois le nettoyage et le service terminés, le radiateur doit être complètement remonté et son bon fonctionnement vérifié.

GARANTIE LIMITÉE

Tous les produits fabriqués par ASPEQ Heating Group sont garantis contre les défauts de fabrication et de matériau pendant une année à compter de leur date d'achat, sauf les éléments chauffants, lesquels sont garantis contre les défauts de fabrication et de matériau pendant 5 ans à compter de la date d'achat. Cette garantie ne couvre pas les dommages causés par un accident, une mauvaise utilisation ou une altération et ne s'applique pas si la tension d'alimentation dépasse de 5% ou plus celle de la plaque signalétique, si l'équipement est mal installé, mal câblé ou mal entretenu, contrairement aux instructions d'installation et d'utilisation du produit. Cette garantie ne s'applique pas aux produits remis à neuf. Toutes les réclamations sous garantie doivent être accompagnées d'une preuve de date d'achat.

Le client doit être responsable de tous les coûts occasionnés pour le démontage ou la réinstallation des produits, incluant les coûts de main-d'oeuvre, et les coûts d'expédition pour renvoyer les produits au centre de service de ASPEQ Heating Group. Dans le cadre des limitations de cette garantie, les unités ne fonctionnant pas doivent être renvoyées au centre de service agréé ASPEQ le plus proche, ou directe au centre de service de ASPEQ Heating Group, où ils seront réparés ou remplacés, à notre choix, sans frais pour vous avec le port de retour payé par ASPEQ. Il est convenu que cette réparation ou ce remplacement sera le seul remède à attendre de ASPEQ Heating Group.

LES GARANTIES QUI PRÉCÈDENT TIENNENT LIEU DE TOUTES LES AUTRES GARANTIES, EXPLICITES OU IMPLICITES, ET TOUTES LES GARANTIES IMPLICITES DE VALEUR MARCHANDE ET D'ADÉQUATION POUR UNE FINALITÉ SPÉCIFIQUE QUI EXCÉDERAIENT LES DISPOSITIONS DE GARANTIE PRÉCÉDEMMENT ÉNONCÉES SONT ICI REJETÉES ET EXCLUES DE CET ACCORD. ASPEQ HEATING GROUP NE SERA PAS TENU POUR RESPONSABLE DES DOMMAGES CONSÉCUTIFS SURVENANT EN RELATION AVEC LE PRODUIT, QU'ILS SOIENT À BASE DE NÉGLIGENCE, TORT, RESPONSABILITÉ PURE OU CONTRACTUELLE.

Certains États ne permettent pas l'exclusion ou la limitation des dommages consécutifs ou annexes, de ce fait l'exclusion ou la limitation qui précède peut ne pas s'appliquer à votre cas. Cette garantie vous donne des droits légaux spécifiques, qui varient d'un État à un autre. Pour obtenir l'adresse de votre centre de service agréé le plus proche, contactez ASPEQ Heating Group à St Louis, MO, USA, au 314-333-5550. Toute marchandise retournée à l'usine doit être accompagnée d'une autorisation de renvoi et d'une étiquette d'identification pour le service, ces deux documents étant disponibles auprès de ASPEQ Heating Group. En demandant une autorisation de retour, fournissez tous les numéros de catalogue indiqués sur les produits.

COMMENT OBTENIR DU SERVICE ET DES PIÈCES DANS LE CADRE DE LA GARANTIE ET DES INFORMATIONS GÉNÉRALES

- | | |
|--|--|
| 1. Service ou pièces sous garantie | 314-333-5550 |
| 2. Informations générales sur les produits | www.aspeqheating.com |

Remarque : Pour obtenir le service sous garantie vous devez toujours avoir préparé:

1. Référence de modèle du produit
2. Date de fabrication
3. Numéro ou description de pièce

ASPEQ
HEATING GROUP
St Louis, MO 63144 USA