

### Installation Instructions

**NOTE:** Accessories described in this instruction manual are intended for use with 903 Series Model C baseboard heaters only.



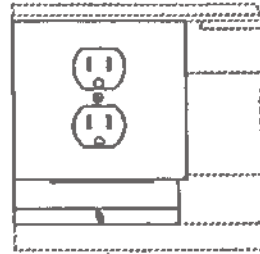
**WARNING**



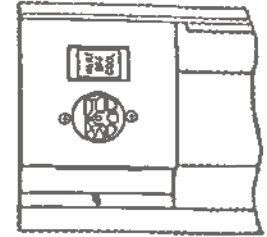
This instruction sheet contains vital information for the proper installation and use of the accessories described herein. Carefully read this manual before installation, operation, or service of the accessory. Failure to follow these instructions could result in fire, electric shock, death, serious personal injury, or property damage. Save these instructions for reference by future users.

**WARNING: HAZARD OF FIRE OR ELECTRIC SHOCK.**

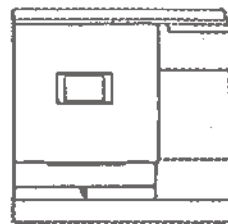
1. Be sure electric power is disconnected at main fuse or circuit breaker distribution panel before installation or servicing.
2. The installation must comply with all Local and National Electrical Codes and utility requirements.
3. Refer to installation instructions provided with the heater when installing these accessories.
4. Check accessory and heater nameplate to verify power requirements match power supply coming to heater and accessory. Make sure total power requirements do not exceed ratings of accessory.
5. When using RSA transformer relay accessory, supply wires must be minimum 90° C.



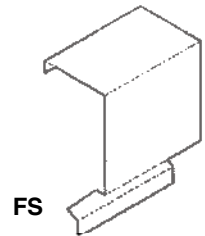
RA1



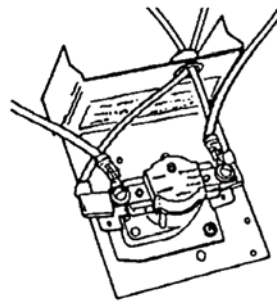
HCA



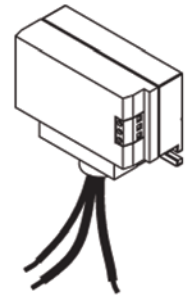
DSW2



FS



PR



RSA

MODEL NO.	DESCRIPTION	RATINGS	WIRING DIAGRAM
BIS-HCA121520-*	Heat/Cool Switch w/Receptacle	20 Amps @ 120 VAC	Figure 1
BIS-HCA241520-*	Heat/Cool Switch w/ Receptacle	20 Amps @ 250 VAC	
BIS-DSW2-*	Power ON/OFF Switch DPST	20 Amps @ 120 - 177 VAC	Figure 2
BIC-RA1-*	Duplex Receptacle	15 Amps @ 120 VAC	Figure 3
BIR-RSA1224-X	Low Voltage Relay w/Transformer 120/24V	25 Amps @ 120 VAC	Figure 4
BIR-RSA2024-X	Low Voltage Relay w/Transformer 208/24V	25 Amps @ 208 VAC	
BIR-RSA2424-X	Low Voltage Relay w/Transformer 240/24V	25 Amps @ 240 VAC	
BIR-RSA2724-X	Low Voltage Relay w/Transformer 277/24V	22 Amps @ 277 VAC	Figure 5
BIR-PR24-X	Power Relay SPST 24V Coil	30 Amps @ 120 - 240 VAC	
BIR-PR120-X	Power Relay SPST 120V	23 Amps @ 277 VAC 10 Amps @ 347 & 600 VAC	
BIH-FS-*	Filler Section		
BIB-FSJ2-*	Joiner Section		

\* Followed by N (Beige) or W (White) suffix.  
Suffix should match heater suffix.

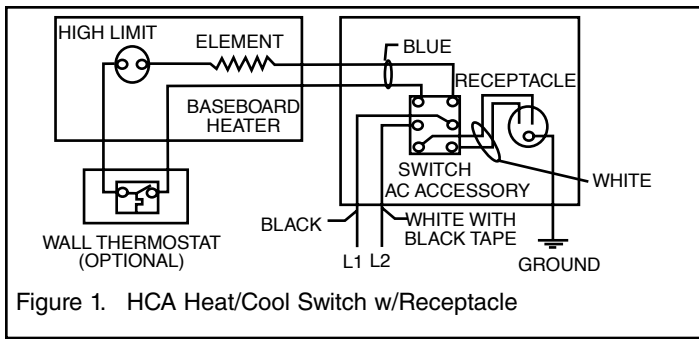


Figure 1. HCA Heat/Cool Switch w/Receptacle

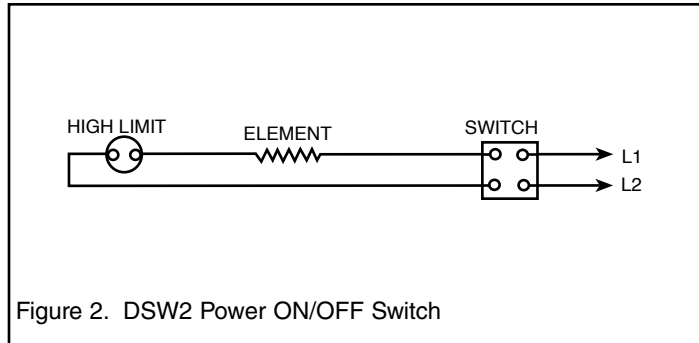


Figure 2. DSW2 Power ON/OFF Switch

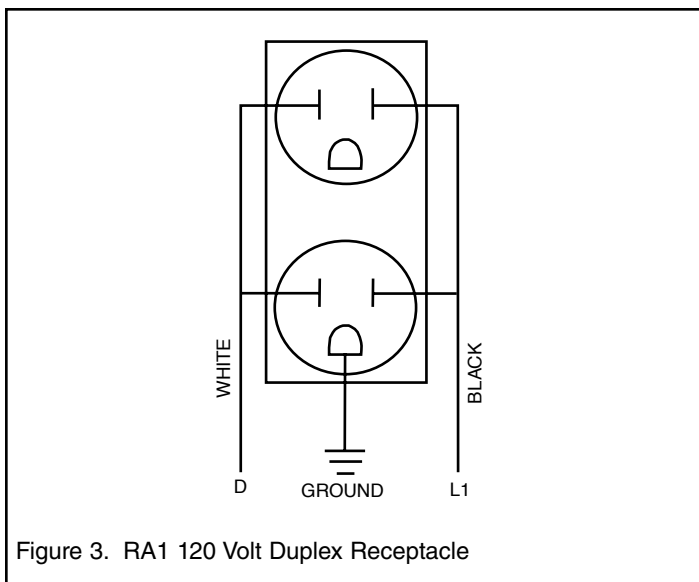


Figure 3. RA1 120 Volt Duplex Receptacle

### HCA121520 and HCA242520

1. All electrical work must conform to Local and National Electrical Codes. This unit must be connected with a 20 amp. maximum branch circuit. The minimum wire size allowable is No. 12AWG Copper. NOTE: The use of UL Listed connectors of the proper size is required.
2. The transfer switch must be installed in the wiring compartment where the power wiring has been brought in. Remove that wiring compartment cover and discard.
3. Connect center switch leads (black for switches rated 240V, one white and one black for switches rated 120V), to the power supply wires and connect the blue leads through the thermostat to the heater wire as shown in the wiring diagram, (Figure 1).
4. Fold wires carefully and install transfer switch in place of wiring compartment cover.
5. Reconnect power at main fuse or circuit breaker distribution panel.

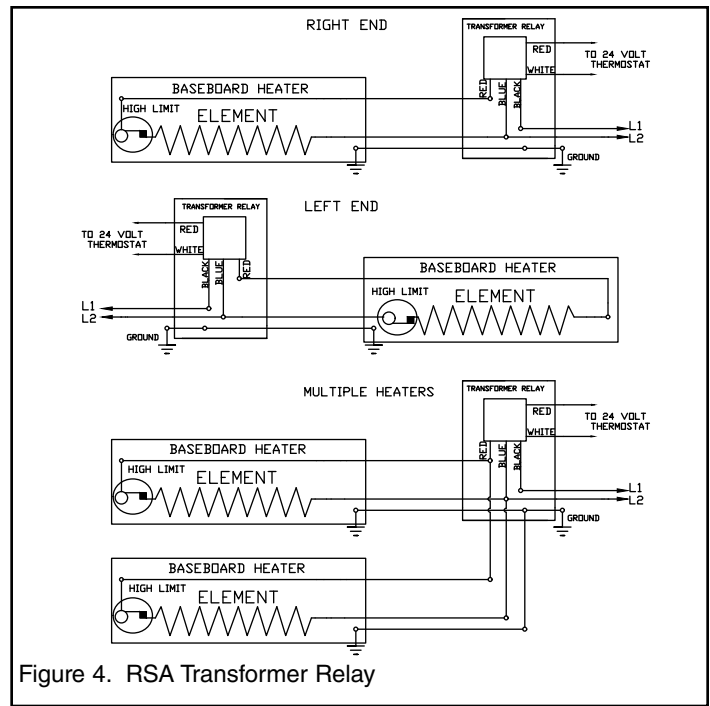


Figure 4. RSA Transformer Relay

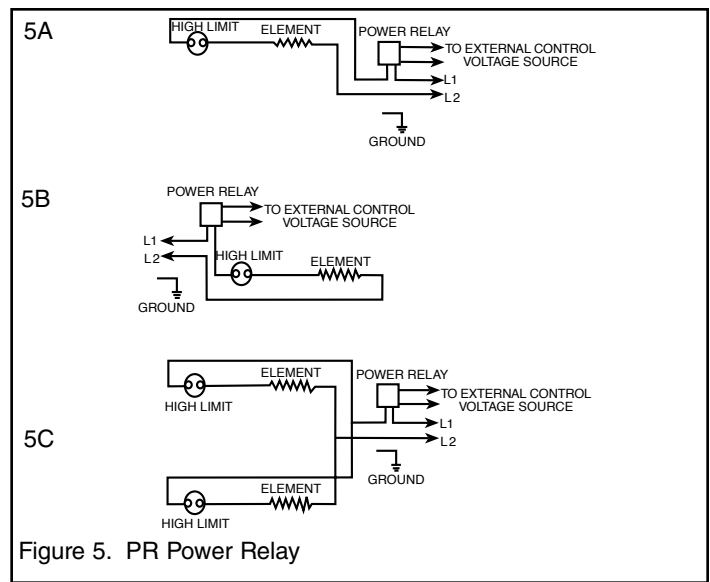


Figure 5. PR Power Relay

### OPERATION

**CAUTION**

Do not use Heat-Cool Transfer Switch as an "OFF/ON" switch. Operation of baseboard should be regulated by a wall mounted thermostat. Operation of air conditioner should be regulated by the thermostat provided in the air conditioner.

1. Plug air conditioner into receptacle. Set heat-cool transfer switch to "OFF" position. Turn heating thermostat to highest position. If heater or air conditioners are energized, turn off power supply and have wiring rechecked.
2. Set heat-cool transfer switch to "HEAT" position. If baseboard heater does not operate, turn off power supply and have wiring rechecked.
3. Set heat-cool transfer switch to "COOL" position. If air conditioner does not operate, turn off power supply and have wiring rechecked.

## DSW2

1. All electrical work must conform to Local and National Electrical Codes. The minimum wire size allowable is No. 12AWG Copper. **NOTE:** The use of UL Listed connectors of the proper size is required.
2. The Power ON/OFF switch is intended to be installed in the wiring compartment where the power wiring has been brought in. Remove wiring compartment cover and discard.
3. Connect the Power ON/OFF switch leads to the heater and power leads as shown in the wiring diagram, (Figure 2).
4. Fold wires carefully and install Power ON/OFF in place of wiring compartment cover.
5. Reconnect power at main fuse or circuit breaker distribution panel.

## RA1

1. All electrical work must conform to Local and National Electrical Codes. This unit must be connected to a separate 15 amp maximum branch circuit. The minimum wire size allowable is No. 14AWG Copper. **NOTE:** The use of UL Listed connectors of the proper size is required.
2. The duplex receptacle may be installed in either the left or right wiring compartment. Remove the desired wiring compartment cover and discard.
3. Drill hole through floor or wall at knockout location where branch circuit supply will enter the wiring compartment. (This may require removing the heater).
4. Feed branch circuit supply wire through drilled hole and knockout in heater. Install cable connector (not supplied).
5. Connect branch circuit supply to duplex receptacle as shown in wiring diagram, (Figure 3).
6. Reconnect power at main fuse or circuit breaker distribution panel for the heater and duplex receptacle.

## RSA1224C, RSA2024C, RSA2424C, RSA2724C, RSA3424C and RSA6024C

### INSTALLATION

1. All electrical work must conform to Local and National Electrical Codes. The use of UL Listed connectors of the proper size is required. Supply wiring must be suitable for 90° C.
2. Remove the control box cover where the power supply leads are. Remove small knockout in back of baseboard and make aligning hole in wall (See Figures 6 and 7). Fish thermostat wires through this hole.
3. Loosely install both transfer relay screws. Attach baseplate as shown in Figures 6 or 7.
4. Slide transformer/relay under loosely installed screws in base plate and tighten screws. **NOTE:** For left end installation transformer/relay is mounted upside down.
5. Push the red and white transformer wires through the hole in the top of the baseplate. Make 24V thermostat connections in the compartment formed by the baseplate and the top of the wiring compartment. (See wiring diagram Figure 4).
6. For right end connection, remove wire nut and connect power supply wire (L2) to the blue wire and to the element wire. Connect power supply wire (L1) to the RSA black wire, and connect the red wire to the crossover wire.

7. For left end connection, remove the wire nut that connects the crossover wire and high limit wire. Connect power supply wire (L2) to the blue wire and high limit wire. Connect the red wire to the crossover wire. Connect power supply wire (L1) to RSA black wire.
8. After all electrical power connections are completed, install the thermostat as described in the Thermostat Owners Manual. Connect wires from the thermostat to the red and white wires (refer to paragraph 5) with suitable UL Listed wire nuts. If more heaters are to be connected to the same thermostat, refer to wiring diagram in Figure 5.
9. Once wiring is complete, peel off the back of the conductor label included in this kit and attach it to the back of the control box cover. Reinstall cover.

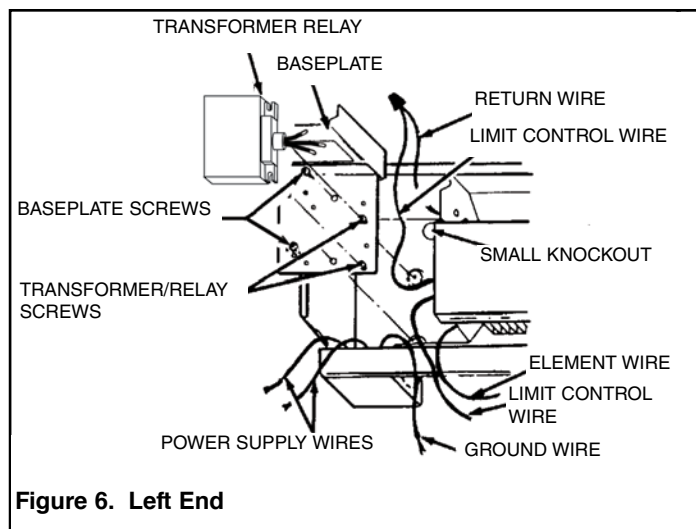


Figure 6. Left End

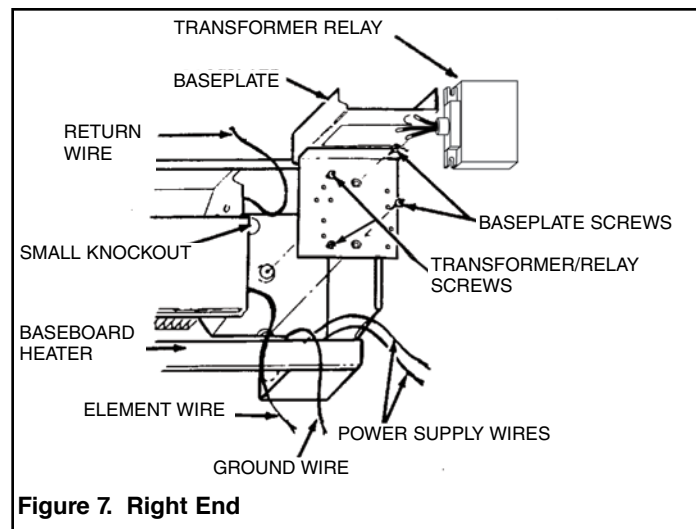


Figure 7. Right End

## CHECK OPERATION

1. Before connecting power supply, be sure all thermostats are turned to "LOW" or "NO HEAT".
2. Connect power supply at distribution box. Wait 3 to 5 minutes and check to see that none of the heaters are operating. Should any of the heaters be operating, disconnect power supply and check wiring.
3. If none are operating, turn the thermostats to the highest position and wait 3 to 5 minutes. Check to see that all heaters are operating. If any are not operating, disconnect power supply and check wiring.

## PR24C and PR120C

1. All electrical work must conform to Local and National Electrical Codes. The use of UL Listed connectors of proper size is required.
2. On PR24 model, using 24 volt class 2 control circuit wiring, remove small knockout in back of baseboard and make aligning hole in wall (See Figures 8 or 9). Route 24 volt class 2 external control circuit wires through this hole. On PR120 model, the control circuit wiring connections may be made in the heater wiring compartment.
3. Attach baseplate to back of wiring compartment with screws provided. (See Figure 8 or 9). Insert snap bushing in appropriate hole in baseplate top.
4. Mount power relay on baseplate and securely fasten with screw provided. See Figure 8 or 9 for proper mounting location on baseplate.
5. On PR24 model, using 24 volt class 2 control circuit wiring, push the two red relay wires up through the hole in the top of the baseplate. Make all external 24 volt class 2 control circuit wiring connections in the compartment formed by the baseplate and the top of the wiring compartment. On the PR120 model, connect external 120 volt control circuit wiring in the heater wiring compartment by connecting to the red control wire. The compartment formed by the base plate and top of the heater wiring compartment is not used on the PR120 Model.
6. For right end connection, remove wire nut and connect return wire to one black lead on power relay. Connect power supply wire (L1) to other black lead on power relay. Connect power supply wire (L2 or N) to element lead wire. (See wiring diagram, Figure 5A).
7. For left end connection, remove wire nut connecting the limit control and connect limit control wire to one black lead on power relay. Connect power supply wire (L1) to other black lead on power relay. Connect power supply (L2 or N) to crossover wire. (See wiring diagram, Figure 5B).
8. If more heaters are to be connected to same power relay, refer to wiring diagram Figure 5C. Do not exceed ampacity rating of power relay.

## FSJ2 and FS

The FS Filler Sections provide for a uniform appearance by covering open space between heaters or between the end of a heater and the wall. If heaters are butted together, Model Number FSJ2 Joiner Strip should be used.

These instructions are provided to assist you in the installation and prevent unnecessary problems that you may encounter. Read and study these instructions as well as the instructions provided with the heaters before installing.

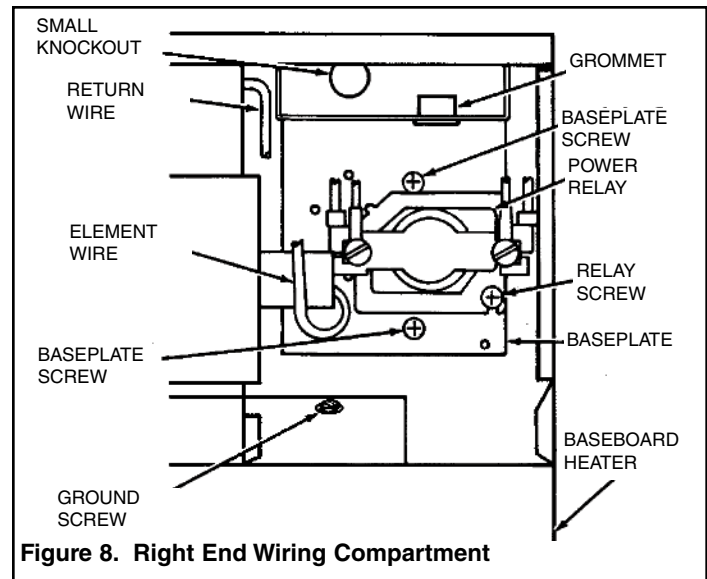


Figure 8. Right End Wiring Compartment

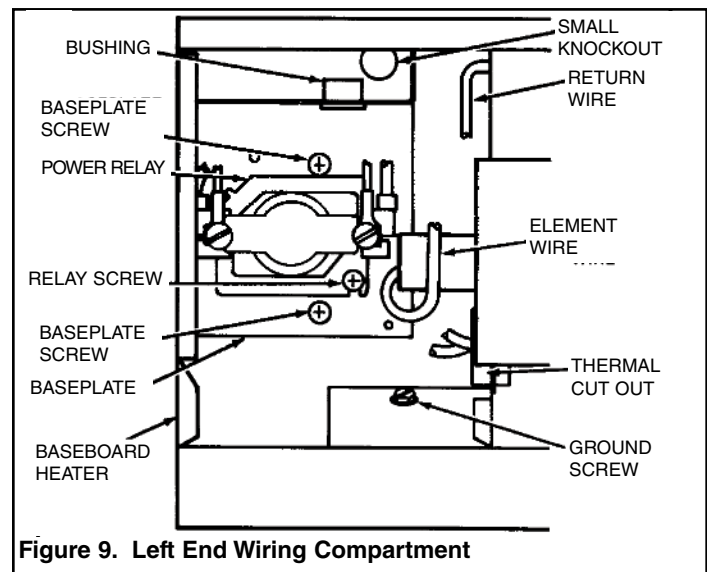


Figure 9. Left End Wiring Compartment

## CAUTION

To prevent possible damage to internal wiring, prior to installing the filler section, remove the heater junction box cover(s) at the end of the heater(s) where the filler is to be installed. Position all wiring in the junction boxes so it is not in the area where the self-tapping screw (Step 4) will be installed.

1. Mount the heaters on the wall in accordance with the heater installation instructions. Make sure the heaters are at the same mounting height from the floor to assure a level mounting of the filler section.
2. Position the filler section on top of the heater(s) and press down toward the bottom of the filler to assure a tight fit. The section will snap into place. Do not mount over the junction box screw.
3. If the filler section is to be mounted between a heater and a wall, a block of wood to support one end of the filler should be attached to the wall, level with the top of the heater.
4. Attach filler sections with sheet metal screw, supplied by others, in the bottom of the filler and into the baseboard.

### LIMITED WARRANTY

All products manufactured by Indeeco are warranted against defects in workmanship and materials for one year from the date of purchase, except heating elements which are warranted against defects in workmanship and materials for five years from date of purchase. This warranty does not apply to damage from accident, misuse, or alteration; nor where the connected voltage is more than 5% above the nameplate voltage; nor to equipment improperly installed or wired or maintained in violation of the product's installation instructions. This warranty does not apply to refurbished products. All claims for warranty work must be accompanied by proof of the date of purchase.

The customer shall be responsible for all costs incurred in the removal or reinstallation of products, including labor costs, and shipping costs incurred to return products to Indeeco. Within the limitations of this warranty, inoperative units should be returned to Indeeco, and we will repair or replace, at our option, at no charge to you with return freight paid by Indeeco. It is agreed that such repair or replacement is the exclusive remedy available from Indeeco.

THE ABOVE WARRANTIES ARE IN LIEU OF ALL OTHER WARRANTIES EXPRESSED OR IMPLIED, AND ALL IMPLIED WARRANTIES OF MERCHANTABILITY AND FITNESS FOR A PARTICULAR PURPOSE WHICH EXCEED THE AFORESAID EXPRESSED WARRANTIES ARE HEREBY DISCLAIMED AND EXCLUDED FROM THIS AGREEMENT. Indeeco SHALL NOT BE LIABLE FOR CONSEQUENTIAL DAMAGES ARISING WITH RESPECT TO THE PRODUCT, WHETHER BASED UPON NEGLIGENCE, TORT, STRICT LIABILITY, OR CONTRACT.

Some states do not allow the exclusion or limitation of incidental or consequential damages, so the above exclusion or limitation may not apply to you. This warranty gives you specific legal rights, and you may have other rights which vary from state to state.

Contact Indeeco in St Louis, MO, at 314-644-4300. Merchandise returned to the factory must be accompanied by a return authorization and service identification tag, both available from Indeeco. When requesting return authorization, include all catalog numbers shown on the products.

#### HOW TO OBTAIN WARRANTY SERVICE AND WARRANTY PARTS PLUS GENERAL INFORMATION

1. Warranty Service or Parts **314-644-4300**
2. General Product Information **[www.indeeco.com](http://www.indeeco.com)**

**Note:** When obtaining service always have the following:

1. Model number of the product
2. Date of manufacture
3. Part number or description



St Louis, MO 63144 USA

### Instructions d'Installation



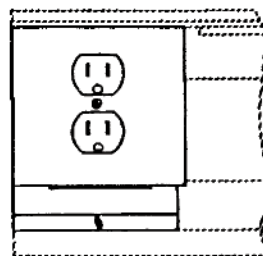
#### AVERTISSEMENT



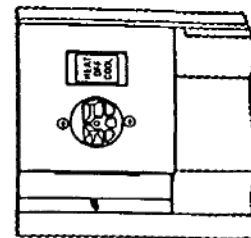
Ce feuillet d'instructions contient des renseignements essentiels à l'installation et à l'exploitation correctes des accessoires décrits ci-après. Lisez attentivement la notice avant d'installer, de faire fonctionner ou de réparer l'accessoire. Toute dérogation à ces instructions peut entraîner un incendie, un choc électrique, des blessures graves ou mortelles et des dommages matériels. Conservez ces instructions pour renseigner les futurs utilisateurs.

#### AVERTISSEMENT: RISQUE D'INCENDIE OU DE CHOC ÉLECTRIQUE

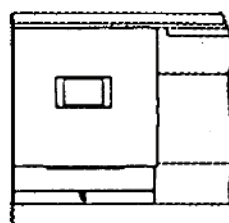
1. Coupez toute source d'alimentation du radiateur au panneau de dérivation avant d'entreprendre l'installation ou la maintenance
2. L'installation doit être conforme aux exigences pertinentes des codes locaux, du Code de l'électricité et des normes du fournisseur d'électricité.
3. Lors de l'installation de ces accessoires, consultez les instructions d'installation fournies avec le radiateur.
4. Vérifiez la plaque signalétique de l'accessoire et du radiateur et assurez-vous que la tension nominale correspond à la tension du réseau. Assurez-vous que la puissance totale commutée ne dépasse pas les caractéristiques nominales de l'accessoire.
5. Si vous installez l'accessoire relais-transformateur RSA, utilisez des câbles d'alimentation 90° C.



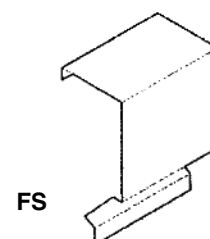
RA1



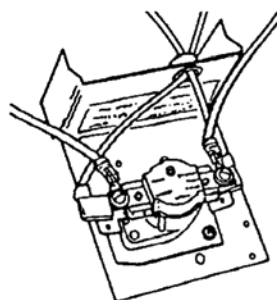
HCA



DSW2



FS



PR



RSA

MODÈLE	DESCRIPTION	CARACTÉRISTIQUES	SCHÉMA
BIS-HCA121520-*	Commutateur chauffage-climatisation avec prise de courant	20 A à 120 V c.a.	Figure 1
BIS-HCA241520-*	Commutateur chauffage-climatisation avec prise de courant	20 A à 250 V c.a.	
BIS-DSW2-*	Puissance ON/OFF	20 A à 120 - 177 V c.a.	Figure 2
BIC-RA1-*	Prise de courant double	15 A à 120 V c.a.	Figure 3
BIR-RSA1224-X	Relais basse tension avec transformateur 120/24V	25 A à 120 V c.a.	Figure 4
BIR-RSA2024-X	Relais basse tension avec transformateur 208/24V	25 A à 208 V c.a.	
BIR-RSA2424-X	Relais basse tension avec transformateur 240/24V	25 A à 240 V c.a.	
BIR-RSA2724-X	Relais basse tension avec transformateur 277/24V	22 A à 277 V c.a.	
BIR-PR24-X	Relais unipolaire, bobine, 24V	30 A à 120 - 240 V c.a. 23 A à 277 V c.a.	Figure 5
BIR-PR120-X	Relais unipolaire, bobine, 120V		
BIH-FS-*	Fiausse Section		
BIB-FSJ2-*	Raccord		

\* Suivi par les suffixes "N" (Beige) ou "W" (Blanc).

Le suffixe doit être le même que celui de l'appareil de chauffage.

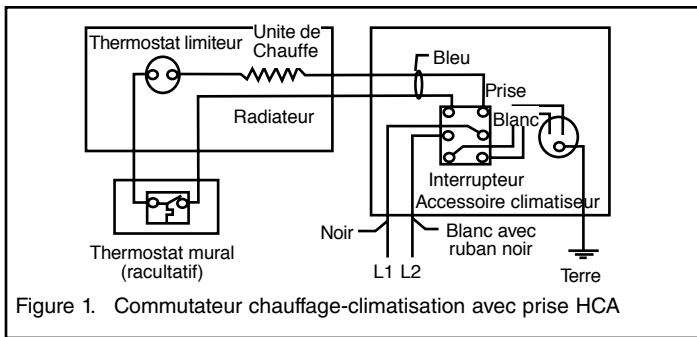


Figure 1. Commutateur chauffage-climatisation avec prise HCA

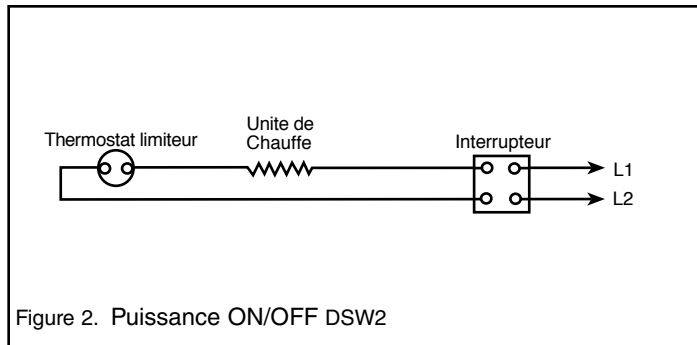


Figure 2. Puissance ON/OFF DSW2

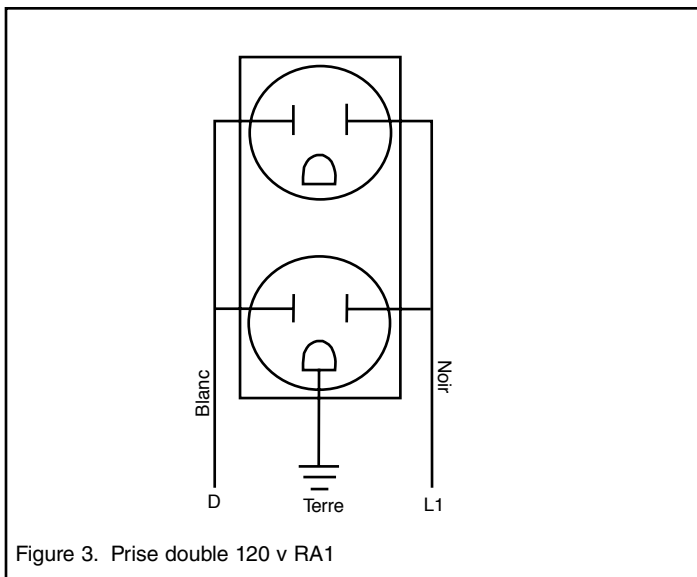


Figure 3. Prise double 120 v RA1

### HCA121520 et HCA242520

1. L'installation électrique doit être conforme aux codes locaux et au Code de l'électricité. Branchez cet appareil à une dérivad'au plus 20 A. Utilisez des câbles en cuirve d'une section d'au moins 12 AWG. NOTE: lew connecteurs doivent être approuvés et grosseur appropriée.
2. Le commutateur doit être installé dans la boîte de connexions où se trouvent les conducteurs d'alimentation. Enlevez le couvercle de cette boîte et mettez-le au rebut.
3. Connectez les fils de raccordement centraux (noirs sur les interrupteurs de 240 V, un blanc et un noir sur les interrupteurs 120 V) aux conducteurs d'alimentation et les fils bleus au thermostat et au radiateur, selon le schéma (Figure 1).
4. Repoussez les câbles delectatement et posez le commutateur à la place du couvercle de la boîte.
5. Rétablissez l'alimentation au panneau de fusibles ou de disjoncteurs.

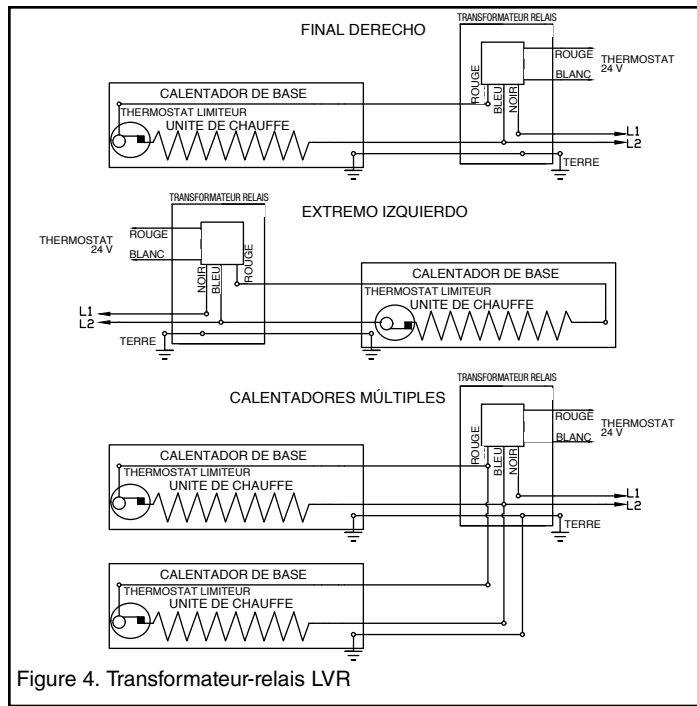


Figure 4. Transformateur-relais LVR

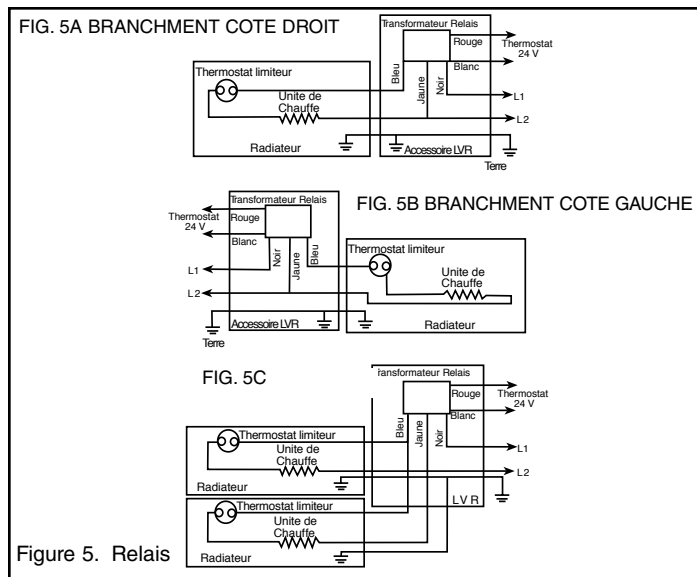


Figure 5. Relais

**ATTENTION**

N'utilisez pas le commutateur chauffage-climatisation comme un interrupteur général. Le radiateur devrait être commandé. Par un thermostat mural et le climatiseur par le thermostat intégré à ce dernier.

### EXPLOITATION

1. Branchez le climatiseur dans la prise. Placez le commutateur chauffage-climatisation à la position Arrêt. Réglez le thermostat de chauffage à la température maximale et le thermostat de climatisation à la température minimale. Si le radiateur ou le climatiseur fonctionne, coupez l'alimentation et faites vérifier les connexions.
2. Réglez le commutateur chauffage-climatisation à la position Chauffage. Si le radiateur de fonctionne pas, coupez l'alimentation et faites vérifier les connexions.

- Réglez le commutateur chauffage-climatisation à la position Climatisation. Si le climatiseur ne fonctionne pas, coupez l'alimentation et faites vérifier les connexions.

### DSW2

- L'installation électrique doit être conforme aux codes locaux et au Code de l'électricité. Utilisez des câbles en cuivre d'une section d'au moins 12 AWG. NOTE. Les connecteurs doivent être approuvés et de grosseur appropriée.
- Puissance ON/OFF doit être installé dans la boîte de connexion où se trouvent les conducteurs d'alimentation. Enlevez le couvercle de cette boîte et mettez-le au rebut.
- Connectez les fils de raccordement de l'interrupteur aux conducteurs d'alimentation et au radiateur, selon le schéma (Figure 2)
- Repoussez les câbles délicatement et posez le commutateur à la place du couvercle de la boîte.
- Rétabissez l'alimentation au panneau de fusibles ou de disjoncteurs.

### RA1

- L'installation électrique doit être conforme aux codes locaux et au Code de l'électricité. Branchez cet appareil à une dérivation d'au plus 15 A. Utilisez des câbles en Cuivre d'une section d'au moins 12 AWG. NOTE: les connecteurs doivent être approuvés et de grosseur appropriée.
- La prise double peut être installée dans la boîte de connexions gauche ou droite. Enlevez le couvercle de la boîte choisie et mettez-le au rebut.
- Percez le plancher ou le mur à l'emplacement du disque défonçable par où les conducteurs d'alimentation doivent arriver dans la boîte de connexions (enlever le radiateur au besoin).
- Passez les conducteurs d'alimentation dans le radiateur à travers le trou et le disque défonçable. Posez un raccord de câble (non fourni).
- Raccordez les conducteurs d'alimentation à la prise double selon le schéma (Figure 3).
- Rétabissez l'alimentation du radiateur et de la prise double au panneau de fusibles ou de disjoncteurs.

### RSA1224C, RSA2024C, RSA2424C, RSA2724C, RSA3424C et RSA6024C

#### INSTALLATION

- L'installation électrique doit être conforme aux codes locaux et au Code de l'électricité. Utilisez des connecteurs approuvés de grosseur appropriée et des câbles 90° C.
- Enlevez le couvercle de la boîte de connexions où se trouvent les conducteurs d'alimentation. Défoncez le petit disque défonçable de la paroi arrière et marquez-en l'emplacement sur le mur (voir les figures 6 et 7). Passez les fils du thermostat par ce trou.
- Posez les vis de montage du transformateur-relais sans les serrer. Fixez le socle selon la figure 6 ou 7.
- Glissez le transformateur-relais sous les vis non serrées du socle et serrez les vis. NOTE: Lorsqu'il est installé à gauche, le transformateur-relais est à l'envers.
- Passez les fils rouge et blanc du transformateur dans le trou au sommet du socle. Effectuez les connexions 24 V dans le compartiment formé par le socle et le haut de la boîte de connexions (voir le schéma de la Figure 4).
- Para la conexión del extremo derecho, retire la tuerca del cable y conecte el cable de suministro de energía (L2) al cable azul y al cable del elemento. Conecte el cable de suministro de energía (L1) al cable negro RSA y conecte el cable rojo al cable cruzado.

- Para la conexión del extremo izquierdo, retire la tuerca del cable que conecta el cable cruzado y el cable de límite alto. Conecte el cable de alimentación (L2) al cable azul y al cable de límite alto. Conecte el cable rojo al cable cruzado. Conecte el cable de alimentación (L1) al cable negro RSA.
- Une fois toutes les connexions électriques effectuées, posez le thermostat selon les instructions de la notice du thermostat. Raccordez les fils du thermostat aux fils rouge et blanc (voir l'étape 5) au moyen de connecteurs tir-bouchon approuvés. Si d'autres radiateurs doivent être raccordés au même thermostat, suivre le schéma de la Figure 5.
- Une fois le câblage terminé, décollez de son support l'étiquette adhésive relative aux conducteurs fournie avec cet accessoire et collez-la à l'arrière de la boîte de connexions. Remettez le couvercle.

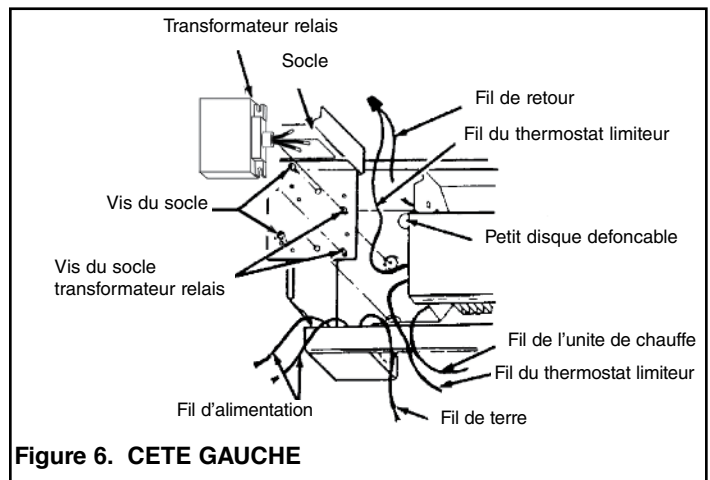


Figure 6. CETE GAUCHE

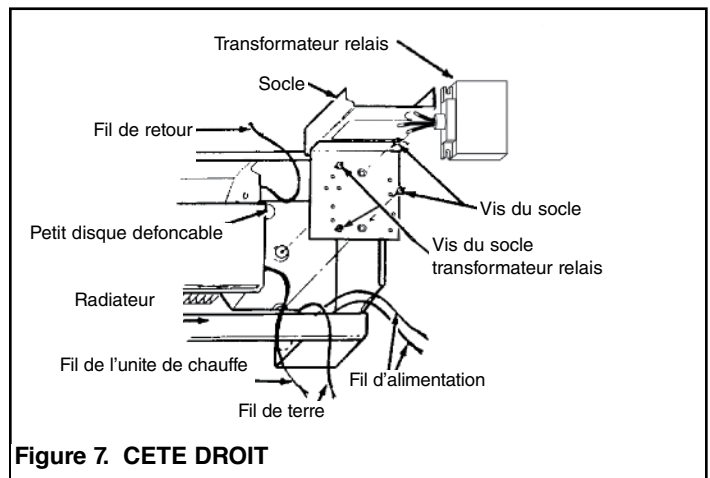


Figure 7. CETE DROIT



## VÉRIFICATION DU FONCTIONNEMENT

1. Avant de mettre sous tension, assurez-vous que tous les thermostats sont à la position Bas ou Froid.
2. Mettez le radiateur sous tension au panneau de dérivation. Attendez 3 à 5 min pour vous assurer qu'aucun radiateur n'est sous tension. Le cas échéant, coupez l'alimentation et vérifiez les connexions.
3. Si aucun radiateur n'est sous tension, réglez les thermostats au maximum et attendez 3 à 5 min. Assurez-vous que tous les radiateurs sont sous tension. S'il y a un radiateur hors tension, coupez l'alimentation et vérifiez les connexions.

### PR24C et PR120C

1. L'installation électrique doit être conforme aux codes locaux et au Code de l'électricité. Utilisez des connecteurs approuvés de grosseur appropriée.
2. Pour le modèle PR24, alimenté à 24V par un circuit de commande de classe 2, défoncez le petit disque défonçable à l'arrière du radiateur et percez le mur à l'emplacement du disque défonçable (voir les figures 8 et 9). Passez les fils du circuit externe de commande 24 V classe 2 dans la boîte à travers cette ouverture. Pour le modèle PR120, on peut réaliser les connexions du circuit de commande dans la boîte de connexions du radiateur.
3. Fixez le socle à la paroi arrière de la boîte au moyen des vis fournies (voir la Figure 8 ou 9), Glissez le passe-fils dans le trou approprié au sommet du socle.
4. Fixez le socle à la paroi antérieure de la boîte au moyen des vis fournies (l'emplacement précis du relais sur le socle est indiqué à la Figure 8 ou 9).
5. Pour le modèle PR24, alimenté à 24 V par un circuit de commande de classe 2, passez les deux fils rouges du relais dans le trou au sommet du socle. Effectuez les connexions au circuit externe de commande 24 V classe 2 dans le compartiment formé par le socle et la paroi supérieure de la boîte de connexions. Pour le modèle PR120, connectez les fils de commande 120 V dans la boîte de connexions du radiateur. Le compartiment formé par le socle et la paroi supérieure de la boîte de connexions du radiateur n'est pas utilisé pour le modèle PR 120.
6. Pour les connexions à droite, enlevez le connecteur tire-bouchon et raccordez le fil de retour au fil noir du relais. Raccordez le conducteur d'alimentation L1 à l'autre fil noir du relais. Raccordez le conducteur d'alimentation L2 (ou N) au fil de raccordement de l'unité de chauffe (voir le schéma à la Figure 5A).
7. Pour les connexions à gauche, enlevez le connecteur tire-bouchon reliant le thermostat limiteur au fil de liaison et raccordez le fil du thermostat limiteur à un fil noir du relais. Raccordez le conducteur d'alimentation L1 à l'autre fil noir du relais. Raccordez le conducteur d'alimentation L2 (ou N) au fil de liaison (voir le schéma à la figure 5B)
8. Si le relais est branché à plusieurs radiateurs, suivre le schéma de la figure 5C. Le courant total ne doit pas dépasser le courant nominal du relais.

### FSJ2 and FS

Les fausses sections FS améliorent l'apparence de l'installation en comblant les vides entre radiateurs ou entre un radiateur et un mur. Si les radiateurs sont mitoyens, utilisez le raccord FSJ2. Ces instructions faciliteront l'installation et vous éviteront des problèmes. Lisez attentivement ces instructions ainsi que celles qui sont fournies avec les radiateurs avant l'installation.

1. Fixez les radiateurs au mur selon les instructions d'installation. Veillez à ce que les radiateurs soient à la même hauteur au-dessus du sol afin que la fausse section soit de niveau

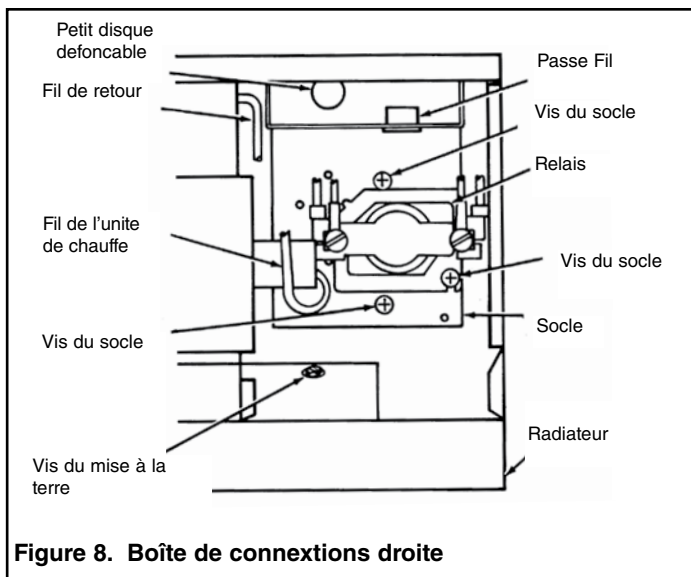


Figure 8. Boîte de connexions droite

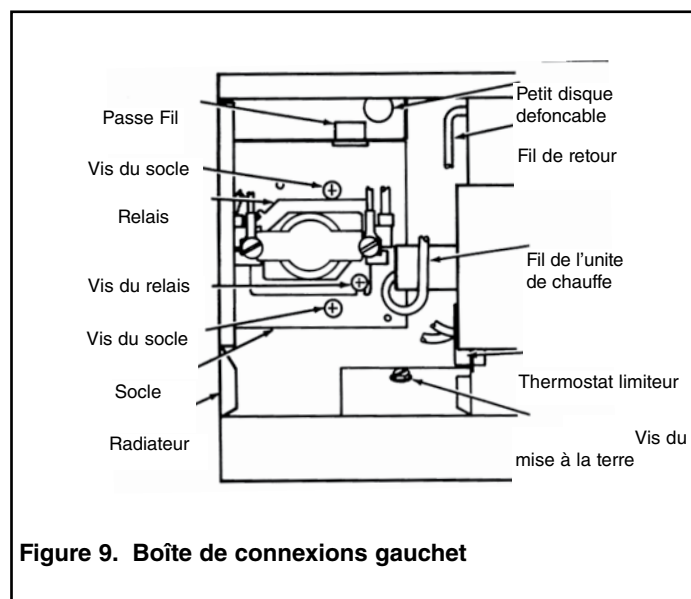


Figure 9. Boîte de connexions gauche



## ATTENTION

Pour éviter d'endommager les câbles internes, avant de poser une fausse section, enlevez le couvercle de la boîte de connexions à l'extrémité du radiateur ou cette section doit être installée. Disposez les câbles dans la boîte de connexions de façon qu'ils ne soient pas dans la zone où débouche la vis autotaraudeuse (étape 4).

2. Placez la fausse section pas dessus les radiateurs et poussez-la vers le bas de façon à l'ajuster. La fausse section devrait s'emboîter. Ne placez pas la fausse section au-dessus des vis des boîtes de connexions.
3. Pour poser une fausse section entre un radiateur et un mur, fixez un bloc de bois au mur, à l'extrémité libre de la fausse section, à la même hauteur que le radiateur.
4. Fixez la fausse section au moyen de vis à tôle (non fournies) vissées à la base de la fausse section et dans le radiateur.

### **GARANTIE LIMITÉE**

Tous les produits fabriqués par Indeeco sont garantis contre les défauts de fabrication et de matériau pendant une année à compter de leur date d'achat, sauf les éléments chauffants, lesquels sont garantis contre les défauts de fabrication et de matériau pendant 5 ans à compter de la date d'achat. Cette garantie ne couvre pas les dommages causés par un accident, une mauvaise utilisation ou une altération et ne s'applique pas si la tension d'alimentation dépasse de 5% ou plus celle de la plaque signalétique, si l'équipement est mal installé, mal câblé ou mal entretenu, contrairement aux instructions d'installation et d'utilisation du produit. Cette garantie ne s'applique pas aux produits remis à neuf. Toutes les réclamations sous garantie doivent être accompagnées d'une preuve de date d'achat.

Le client doit être responsable de tous les coûts occasionnés pour le démontage ou la réinstallation des produits, incluant les coûts de main-d'oeuvre, et les coûts d'expédition pour renvoyer les produits au centre de service de Indeeco. Dans le cadre des limitations de cette garantie, les unités ne fonctionnant pas doivent être renvoyées au centre de service agréé Indeeco le plus proche, ou directe au centre de service de Indeeco, où ils seront réparés ou remplacés, à notre choix, sans frais pour vous avec le port de retour payé par Indeeco. Il est convenu que cette réparation ou ce remplacement sera le seul remède à attendre de Indeeco.

LES GARANTIES QUI PRÉCÈDENT TIENNENT LIEU DE TOUTES LES AUTRES GARANTIES, EXPLICITES OU IMPLICITES, ET TOUTES LES GARANTIES IMPLICITES DE VALEUR MARCHANDE ET D'ADÉQUATION POUR UNE FINALITÉ SPÉCIFIQUE QUI EXCÉDERAIENT LES DISPOSITIONS DE GARANTIE PRÉCÉDEMMENT ÉNONCÉES SONT ICI REJETÉES ET EXCLUES DE CET ACCORD. INDEECO NE SERA PAS TENU POUR RESPONSABLE DES DOMMAGES CONSÉCUTIFS SURVENANT EN RELATION AVEC LE PRODUIT, QU'ILS SOIENT À BASE DE NÉGLIGENCE, TORT, RESPONSABILITÉ PURE OU CONTRACTUELLE.

Certains États ne permettent pas l'exclusion ou la limitation des dommages consécutifs ou annexes, de ce fait l'exclusion ou la limitation qui précède peut ne pas s'appliquer à votre cas. Cette garantie vous donne des droits légaux spécifiques, qui varient d'un État à un autre. Pour obtenir l'adresse de votre centre de service agréé le plus proche, contactez Indeeco à St Louis, MO, USA, au 314-644-4300. Toute marchandise retournée à l'usine doit être accompagnée d'une autorisation de renvoi et d'une étiquette d'identification pour le service, ces deux documents étant disponibles auprès de Indeeco. En demandant une autorisation de retour, fournissez tous les numéros de catalogue indiqués sur les produits.

#### **COMMENT OBTENIR DU SERVICE ET DES PIÈCES DANS LE CADRE DE LA GARANTIE ET DES INFORMATIONS GÉNÉRALES**

- |  |   |
|--|---|
| 1. Service ou pièces sous garantie         | <b>314-644-4300</b>   |
| 2. Informations générales sur les produits | <b><a href="http://www.indeeco.com">www.indeeco.com</a></b> |

**Remarque :** Pour obtenir le service sous garantie vous devez toujours avoir préparé:

1. Référence de modèle du produit
2. Date de fabrication
3. Numéro ou description de pièce



**St Louis, MO 63144 USA**

### Instrucciones de Instalación

**NOTA:** Los accesorios descritos en este manual son únicamente para ser utilizados en los modelos de calentadores de rodapié serie 903.

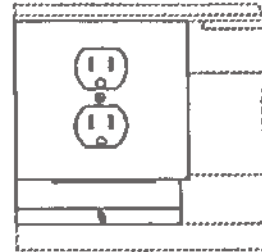


#### ADVERTENCIA

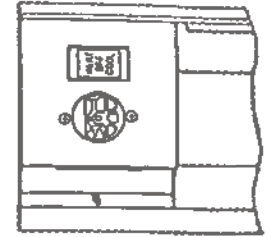
Las hojas de instrucción incluyen información vital para la adecuada instalación y uso de los accesorios descritos. Lea cuidadosamente este manual antes de instalar, operar o dar servicio a los accesorios. El no seguir estas instrucciones puede ocasionar incendios, choques eléctricos, muerte, serias lesiones personales o daños en la propiedad. Guarde estas instrucciones para referencia de futuros usuarios.

#### ADVERTENCIA: PELIGRO DE INCENDIO O CHOQUES ELECTRICOS

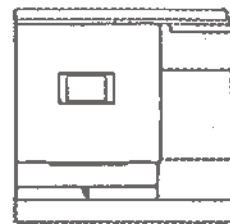
1. Asegúrese de que la alimentación eléctrica esté desconectada en el fusible principal o en el panel de distribución de disyuntores de circuitos antes de instalar o dar servicio.
2. La instalación debe cumplir con todos los Códigos Eléctricos Locales y Nacionales y con todos los requerimientos de servicio público.
3. Refiérase a las instrucciones de instalación provistas con el calentador cuando se instalen estos accesorios.
4. Revise las placas del fabricante de los accesorios y del calentador para confirmar requerimientos de alimentación coincidan con la fuente de alimentación que viene al calentador y los accesorios. Asegúrese que los requerimientos de alimentación totales no excedan las especificaciones de los accesorios.
5. Cuando se utilice el accesorio relé de transformador RSA, los cables fuente deben ser por lo menos 90°C.



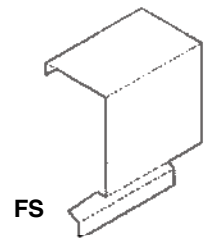
RA1



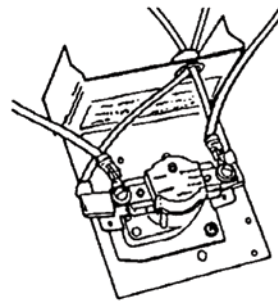
HCA



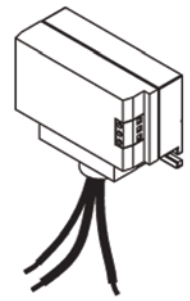
DSW2



FS



PR



RSA

MODELO NO.	DESCRIPCION	ESPECIFICACIONES	DIAGRAMA DE CABLEADO
BIS-HCA121520-*	Interruptor Calor/Frío c/Receptáculo	20 Amps a 120 VAC	Figura 1
BIS-HCA241520-*	Interruptor Calor/Frío c/Receptáculo	20 Amps a 250 VAC	
BIS-DSW2-*	Energía ON/OFF de Desconexión DPST	20 Amps a 120 - 177 VAC	Figura 2
BIC-RA1-*	Receptáculo Doble	15 Amps a 120 VAC	Figura 3
BIR-RSA1224-X	Relé de Bajo Voltaje c/Transformador 120/24V	25 Amps a 120 VAC	Figura 4
BIR-RSA2024-X	Relé de Bajo Voltaje c/Transformador 208/24V	25 Amps a 208 VAC	
BIR-RSA2424-X	Relé de Bajo Voltaje c/Transformador 240/24V	25 Amps a 240 VAC	
BIR-RSA2724-X	Relé de Bajo Voltaje c/Transformador 277/24V	22 Amps a 277 VAC	
BIR-PR24-X	Relé de Alimentación SPST 24 Bobina	30 Amps a 120 - 240 VAC	Figura 5
BIR-PR120-X	Relé de Alimentación SPST 120V	23 Amps a 277 VAC 10 Amps a 347 y 600 VAC	
BIH-FS-*	Sección de Relleno		
BIB-FSJ2-*	Sección de Unión		

\* Seguido por el sufijo N (Beige) o W (Blanco).

El sufijo debe corresponder con el sufijo del calentador.

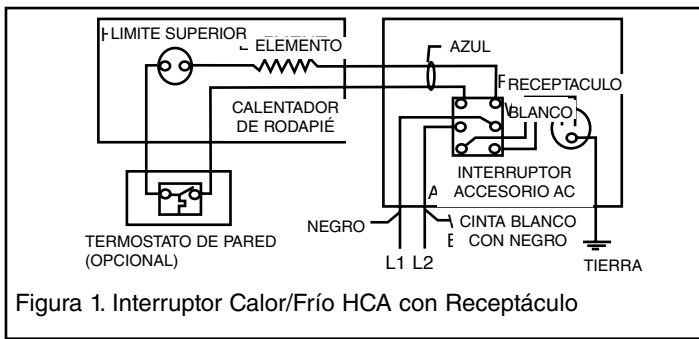


Figura 1. Interruptor Calor/Frío HCA con Receptáculo

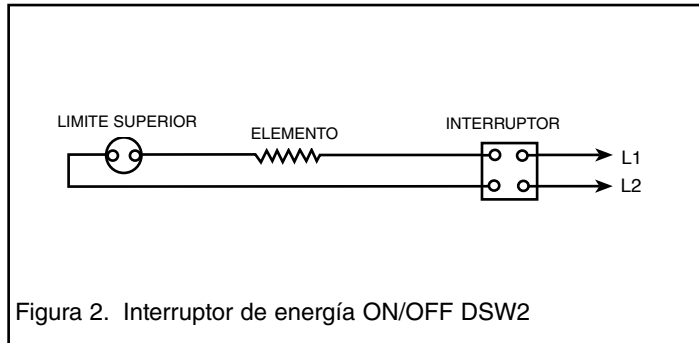


Figura 2. Interruptor de energía ON/OFF DSW2

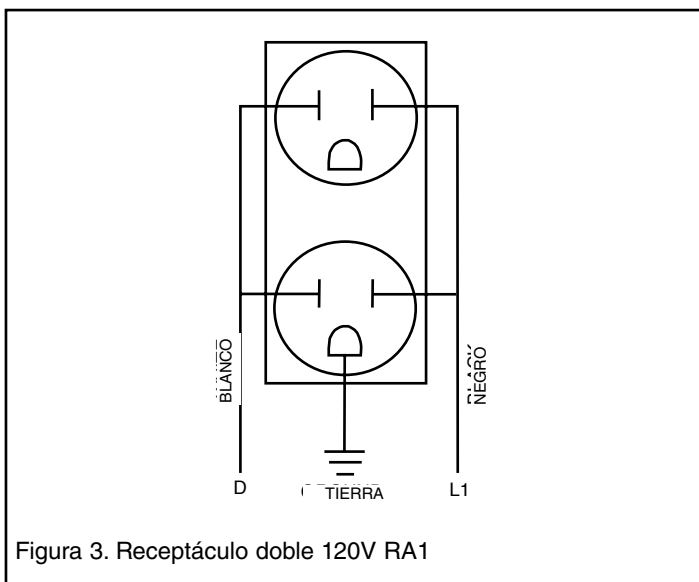


Figura 3. Receptáculo doble 120V RA1

### HCA121520 y HCA242520

1. Todo trabajo eléctrico debe satisfacer los Códigos Eléctricos Locales y Nacionales. Esta unidad debe ser conectada con un circuito derivado de 20 amp. máximo. El mínimo tamaño de cable permitido es N° 12AWG de cobre. NOTA: Utilice conectores del tamaño apropiado listados UL.
2. El interruptor de transferencia debe ser instalado en el compartimiento de cableado, donde el cableado de alimentación ha sido traído. Remueva y disponga de la tapa del compartimiento de cableado.
3. Conecte los cables del interruptor central (negro para interruptores de 240V, uno negro y uno blanco para interruptores de 120V), a los cables de alimentación y conecte los cables azules a través del termostato al cable del calentador, tal y como se muestra en el diagrama de cableado, (Figura 1).
4. Doble los cables cuidadosamente e instale el interruptor de transferencia en lugar de la tapa del compartimiento de cableado.
5. Reconecte la alimentación en el fusible central o el panel de distribución de disyuntores de circuitos.

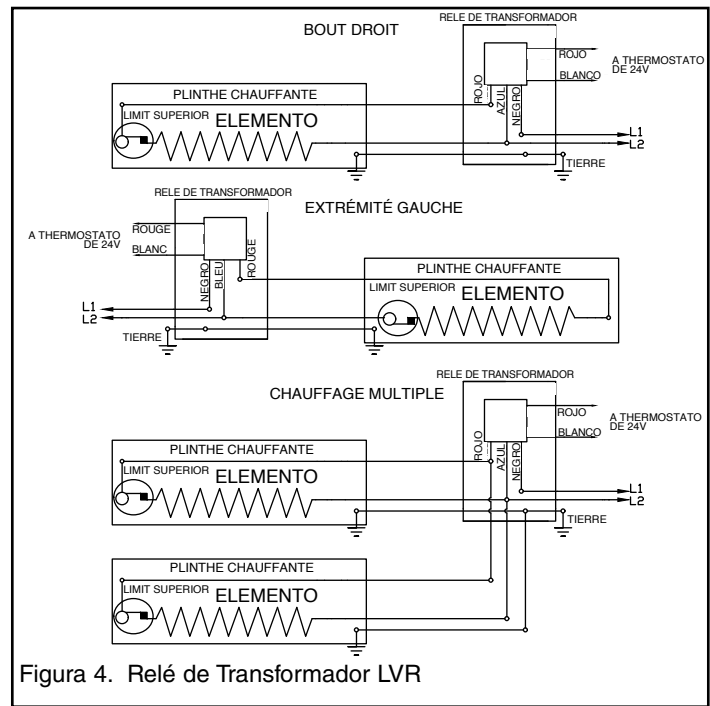


Figura 4. Relé de Transformador LVR

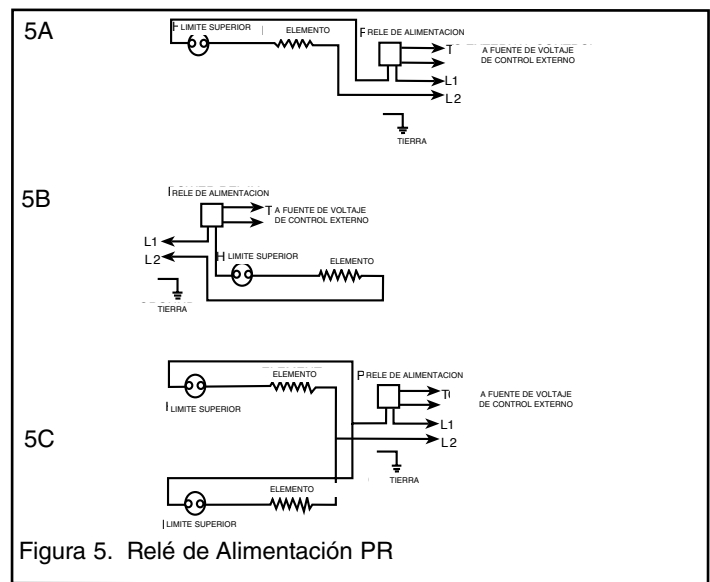


Figura 5. Relé de Alimentación PR

### OPERACION

PRECAUCION

No use un Interruptor de Transferencia Calor-Frío como un interruptor "ON/OFF" (Encendido y Apagado). La operación del calentador debe ser regulada por un termostato instalado en la pared. La operación del aire acondicionado debe ser regulada por el termostato provisto con el aire acondicionado.

1. Conecte el aire acondicionado al receptáculo. Ponga el interruptor de transferencia calor-frío en la posición de apagado (OFF). Ponga el termostato del calentador en la posición más alta. Si el calentador o el aire acondicionado se activan, apague y revise el cableado.
2. Ponga el interruptor de transferencia calor-frío en calor ("HEAT"). Si el calentador no opera, apague y revise el cableado.
3. Ponga el interruptor de transferencia en frío ("COOL"). Si el aire acondicionado no opera, apague y revise el cableado.

## DSW2

1. Todo trabajo eléctrico debe satisfacer los Códigos Eléctricos Locales y Nacionales. El mínimo tamaño de cable permitido es N° 12AWG de cobre. NOTA: Utilice interruptores del tamaño apropiado listados UL.
2. El energía ON/OFF de desconexión debe ser instalado en el compartimiento de cableado, donde el cableado de alimentación ha sido traído. Remueva y disponga de la tapa del compartimiento.
3. Conecte los cables del interruptor de desconexión a los cables de alimentación y del calentador, tal y como se muestra en el diagrama de cableado, (Figura 2).
4. Doble los cables cuidadosamente e instale el interruptor de desconexión en lugar de la tapa del compartimiento de cableado.
5. Reconecte la alimentación en el fusible central o el panel de distribución de disyuntores de circuitos.

## RA1

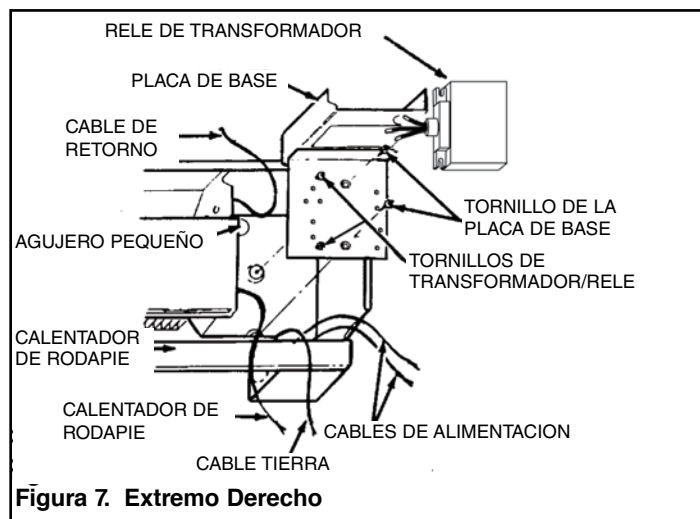
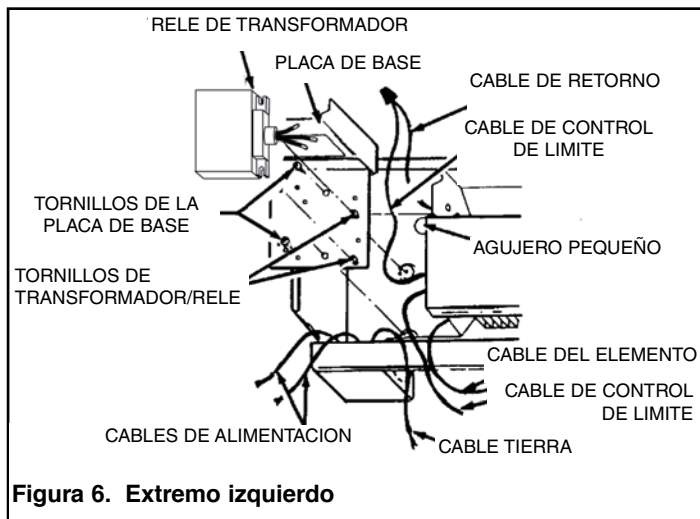
1. Todo trabajo eléctrico debe satisfacer los Códigos Eléctricos Locales y Nacionales. Esta unidad debe ser conectada a un circuito derivado separado de 15 amp. máximo. El mínimo tamaño de cable permitido es N° 14AWG de cobre. NOTA: Utilice interruptores del tamaño apropiado listados UL.
2. El receptáculo doble debe ser instalado ya sea en el compartimiento de cableado izquierdo o derecho. Remueva y disponga de la tapa del compartimiento seleccionado.
3. Taladre un hueco a través del suelo o de la pared que coincida con el agujero por donde la alimentación del circuito derivado va a entrar al compartimiento de cableado. (Esto puede requerir que el calentador sea removido).
4. Introduzca en cable de alimentación del circuito derivado a través del hueco taladrado y del agujero en el calentador. Instale el conector del cable (no incluido).
5. Conecte la alimentación del circuito derivado al receptáculo doble tal y como se muestra en el diagrama de cableado, (Figura 3).
6. Reconecte la alimentación en el fusible central o el panel de distribución de disyuntores de circuitos para el calentador y el receptáculo doble.

## RSA1224C, RSA2024C, RSA2424C, RSA2724C, RSA3424C y RSA6024C

### INSTALACION

1. Todo trabajo eléctrico debe satisfacer los Códigos Eléctricos Locales y Nacionales. Se requiere del uso de conectores del tamaño apropiado listados UL. Cableado de alimentación debe permitir 90°C
2. Remueva la tapa de la caja de control, donde están los cables de alimentación. Remueva el cobertor del agujero en la parte de atrás del calentador y haga un agujero en la pared que esté en línea (Vea Figuras 6 y 7). Agarre los cables del termostato a través de este hueco.
3. Instale, sin socar, los dos tornillos del relé de transferencia. Pegue la placa de base tal y como se muestra en las Figuras 6 ó 7.
4. Deslice el transformador/relé bajo los tornillos que todavía no se han socado en la placa de base y soque los tornillos. NOTA: Para conexión de extremo izquierdo, el transformador/relé se instala al revés.
5. Empuje los cables rojo y blanco del transformador a través del agujero en la parte superior de la placa de base. Haga las conexiones del termostato de 24 voltios en el compartimiento formado por la placa de base y la parte superior del compartimiento de cableado. (Vea diagrama de cableado Figura 4).
6. Pour la connexion à l'extrémité droite, retirez le serre-fil et connectez le fil d'alimentation (L2) au fil bleu et au fil de l'élément. Connectez le fil d'alimentation (L1) au fil noir RSA et connectez le fil rouge au fil croisé.

7. Pour la connexion à l'extrémité gauche, retirez le serre-fils qui relie le fil croisé et le fil de limite supérieure. Connectez le fil d'alimentation (L2) au fil bleu et au fil de limite supérieure. Connectez le fil rouge au fil croisé. Connectez le fil d'alimentation (L1) au fil noir RSA.
8. Después de que todas las conexiones eléctricas se hayan completado, instale el termostato tal y como se explica en el Manual del Propietario del Termostato. Conecte los cables del termostato a los cables rojo y blanco (refiérase al párrafo 5) con tuercas de cable apropiadas de acuerdo a los listados UL. Si va a conectar más calentadores al mismo termostato, refiérase al diagrama de cableado en la Figura 5.
9. Una vez que el cableado ha sido completado, arranque la parte de atrás de la etiqueta del conductor incluido en este juego, y péguela a la parte trasera de la tapa de la caja de control. Instale de nuevo la tapa.



## COMO VERIFICAR LA OPERACION

1. Antes de conectar la fuente de alimentación, asegúrese de que todos los termostatos se encuentren en bajo ("LOW") o no calor ("NO HEAT").
2. Conecte la alimentación de la caja de distribución. Espere de 3 a 5 minutos y verifique que ninguno de los calentadores esté operando. Si alguno de los calentadores está operando, desconecte la fuente de alimentación y revise el cableado.
3. Si ninguno se encuentra operando, ponga los termostatos en la posición más alta y espere de 3 a 5 minutos. Verifique que todos los calentadores estén operando. Si alguno no está operando, desconecte la fuente de alimentación y revise el cableado.

### PR24C y PR120C

1. Todo trabajo eléctrico debe satisfacer los Códigos Eléctricos Locales y Nacionales. Se requiere del uso de conectores del tamaño apropiado listados UL.
2. Con el modelo PR24, usando cableado de circuito de control de 24 voltios clase 2, abra un pequeño agujero en la parte trasera del rodapié y haga un hueco que esté en línea en la pared (Vea Figuras 8 y 9). Deslice cables de circuito de control externo de 24 voltios clase 2 a través de este agujero. Con el modelo PR120, las conexiones de los cables de circuito de control pueden ser hechas en el compartimiento de cableado del calentador.
3. Pegue la placa de base a la parte de atrás del compartimiento de cableado con los tornillos incluidos. (Vea Figura 8 y 9). Inserte la manga aislante en el agujero apropiado en la parte superior de la placa de base.
4. Instale el relé de alimentación en la placa de base y asegure firmemente con los tornillos incluidos. Vea Figura 8 ó 9 para la ubicación apropiada de la instalación en la placa de base.
5. En el modelo PR24, usando cableado de circuito de control de 24 voltios clase 2, empuje hacia arriba los dos cables rojos del relé a través del agujero en la parte superior de la placa de base. Haga todas las conexiones del cableado de circuito de control externo de 24 voltios clase 2 en el compartimiento formado por la placa de base y la parte superior del compartimiento de cableado. En el modelo PR120, conecte el cableado de circuito de control externo de 120 voltios en el compartimiento de cableado del calentador, conectando con el cable de control rojo. El compartimiento formado por la placa de base y la parte superior del compartimiento de cableado del calentador no se usa en el modelo PR120.
6. Para conexión de extremo derecho, remueva la tuerca de cable y conecte el cable de retorno a un cable negro en el relé de alimentación. Conecte el cable de alimentación (L1) al otro cable negro en el relé de alimentación. Conecte el cable de alimentación (L2 o N) al cable del elemento. (Vea diagrama de cableado, Figura 5A).
7. Para conexión de extremo izquierdo, remueva la tuerca de cable que conecta el control de límite y conecte el cable de control de límite a un cable negro en el relé de alimentación. Conecte el cable de alimentación (L1) al otro cable negro en el relé de alimentación. Conecte el cable de alimentación (L2 o N) al cable de paso. (Vea diagrama de cableado, Figura 5B).
8. Si más calentadores van a ser conectados al mismo relé de alimentación, refiérase al diagrama de cableado, Figura 5C. No exceda la ampacidad del relé de alimentación.

### FSJ2 y FS

Las Secciones de Relleno FS permiten una apariencia uniforme ya que cubren espacio abierto entre calentadores o entre el extremo de un calentador y la pared. Si los calentadores están juntos, se debe utilizar la Faja de Unión Modelo FSJ2.

Estas instrucciones se brindan para asistirle en la instalación y prevenir que Usted se encuentre con problemas innecesarios. Lea y estudie estas instrucciones, así como las instrucciones brindadas con los calentadores, antes de la instalación.

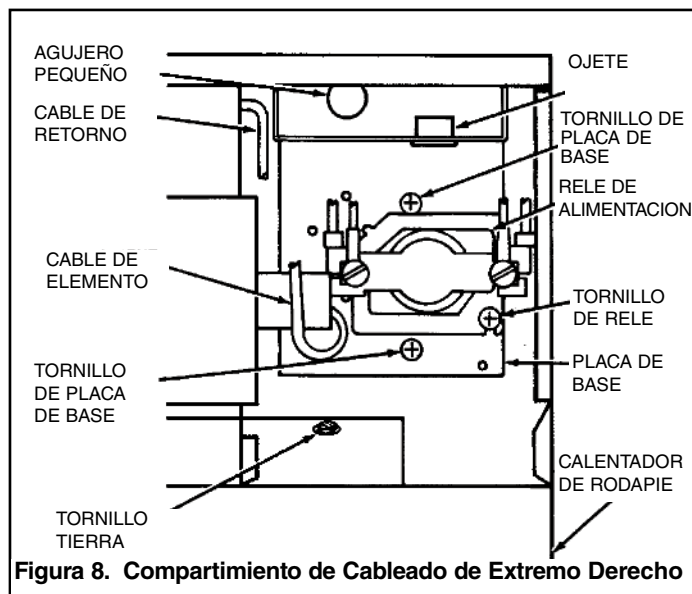


Figura 8. Compartimiento de Cableado de Extremo Derecho

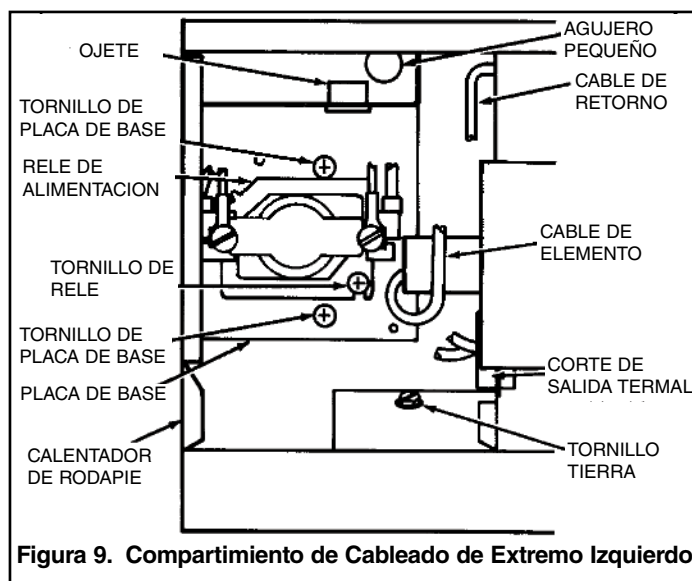


Figura 9. Compartimiento de Cableado de Extremo Izquierdo



## PRECAUCION

Para prevenir posibles daños al cableado interno, previo a la instalación de la sección de relleno, remueva la(s) tapa(s) de la caja de unión del calentador en el extremo del (los) calentador(es) donde se va a instalar el relleno. Coloque todo el cableado en las cajas de unión de manera que no estén en el área donde los tornillos (Paso 4) van a ser instalados.

1. Instale los calentadores en la pared de acuerdo con las instrucciones de instalación del calentador. Asegúrese que los calentadores estén a la misma altura desde el piso para asegurar una instalación nivelada de la sección de relleno.
2. Ubique la sección de relleno en la parte superior del (los) calentador(es) y presione hacia abajo, hacia la parte inferior del relleno para asegurar un cierre ajustado. La sección va a fijarse en posición. No monte sobre el tornillo de la caja de unión.
3. Si la sección de relleno va a ser instalada entre un calentador y una pared, un bloque de madera, nivelado con la parte superior del calentador, debe ser pegado a la pared para sostener un extremo del relleno.
4. Pegue la sección de relleno con tornillos de metal suplidos por otros, en la parte inferior del relleno y dentro del rodapié.

### **GARANTÍA LIMITADA**

Todos los productos fabricados por Indeeco están garantizados contra defectos de fabricación y de materiales por 1 año desde la fecha de compra, excepto los elementos calefactores los cuales están garantizados contra defectos en manufactura y materiales durante 5 años a partir de la fecha de compra. Esta garantía no se aplica a daños debidos a accidente, mal uso o alteración, ni a los casos en que la tensión eléctrica conectada supere a la tensión nominal indicada en la placa de características- en más de 5 %, ni a equipos que hayan sido instalados o cableados incorrectamente, o mantenidos en forma que no cumpla lo indicado en las instrucciones de instalación del producto. Esta garantía no se aplica a los productos reacondicionados. Todo reclamo por trabajos en garantía debe acompañarse con una prueba de la fecha de compra.

El cliente será responsable de todos los costos incurridos en el retiro o reinstalación de productos, incluyendo los costos de mano de obra y los costos de envío incurridos para regresar productos a un Centro de Servicio de Indeeco. Dentro de las limitaciones de esta garantía, las unidades que no funcionan deben regresarse al centro de servicio autorizado Indeeco más cercano, o al Centro de Servicio de Indeeco, y nosotros lo repararemos o reemplazaremos, a nuestra opción, sin cargo para usted, con el flete de retorno pagado por Indeeco. Se acuerda que tal reparación o reemplazo es el único recurso que Indeeco pone a su disposición.

LAS GARANTÍAS EXPUESTAS MÁS ARRIBA TOMAN EL LUGAR DE TODA OTRA GARANTÍA, EXPRESA O IMPLÍCITA, Y POR LA PRESENTE SE DECLINA Y EXCLUYE DE ESTE ACUERDO TODA GARANTÍA IMPLÍCITA DE COMERCIABILIDAD Y ADECUACIÓN A UN PROPÓSITO PARTICULAR QUE EXCEDA LAS GARANTÍAS EXPRESAS ANTEDICHAS. INDEECO NO SE HARÁ RESPONSABLE POR DAÑOS CONSIGUIENTES QUE SE PRODUZCAN CON RESPECTO AL PRODUCTO, EN BASE YA SEA A NEGLIGENCIA, AGRAVIO, RESPONSABILIDAD ESTRICTA, O CONTRATO.

Algunos estados o jurisdicciones no permiten la exclusión o limitación de daños incidentales o consiguientes, de modo que la exclusión o limitación expresada más arriba puede no aplicarse a su caso. Esta garantía le da derechos legales específicos, y usted puede tener también otros derechos, que varían de un estado o jurisdicción a otro.

Para obtener la dirección de su centro de servicio autorizado más cercano comuníquese con Indeeco en St Louis, MO, Estados Unidos, llamando al 314-644-4300. Toda mercadería regresada a la fábrica debe ser acompañada por una autorización de retorno y una etiqueta de identificación de servicio, disponibles ambas en Indeeco. Cuando solicite la autorización de retorno, incluya todos los números de catálogo mostrados en los productos.

#### **CÓMO OBTENER SERVICIO EN GARANTÍA, PIEZAS DE REPUESTO E INFORMACIÓN GENERAL**

- |  |   |
|--|---|
| 1. Servicio o repuestos en garantía    | <b>314-644-4300</b>   |
| 2. Información general sobre productos | <b><a href="http://www.indeeco.com">www.indeeco.com</a></b> |

**Nota:** cuando solicite servicio, siempre dé la información que sigue:

1. Número de modelo del producto
2. Fecha de fabricación
3. Número de parte o descripción



**St Louis, MO 63144 USA**