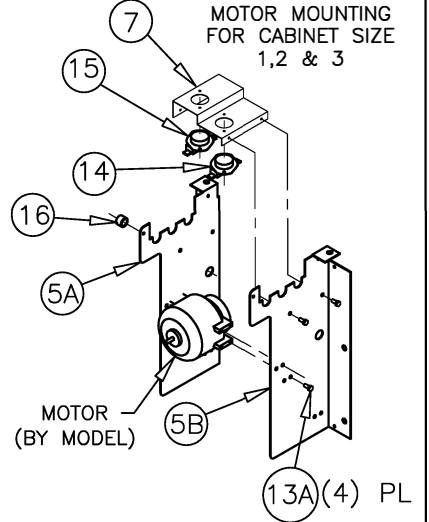
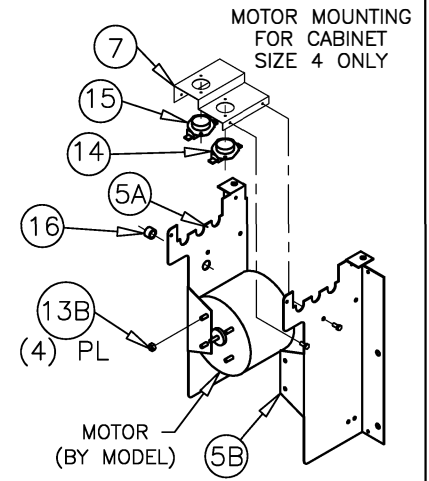
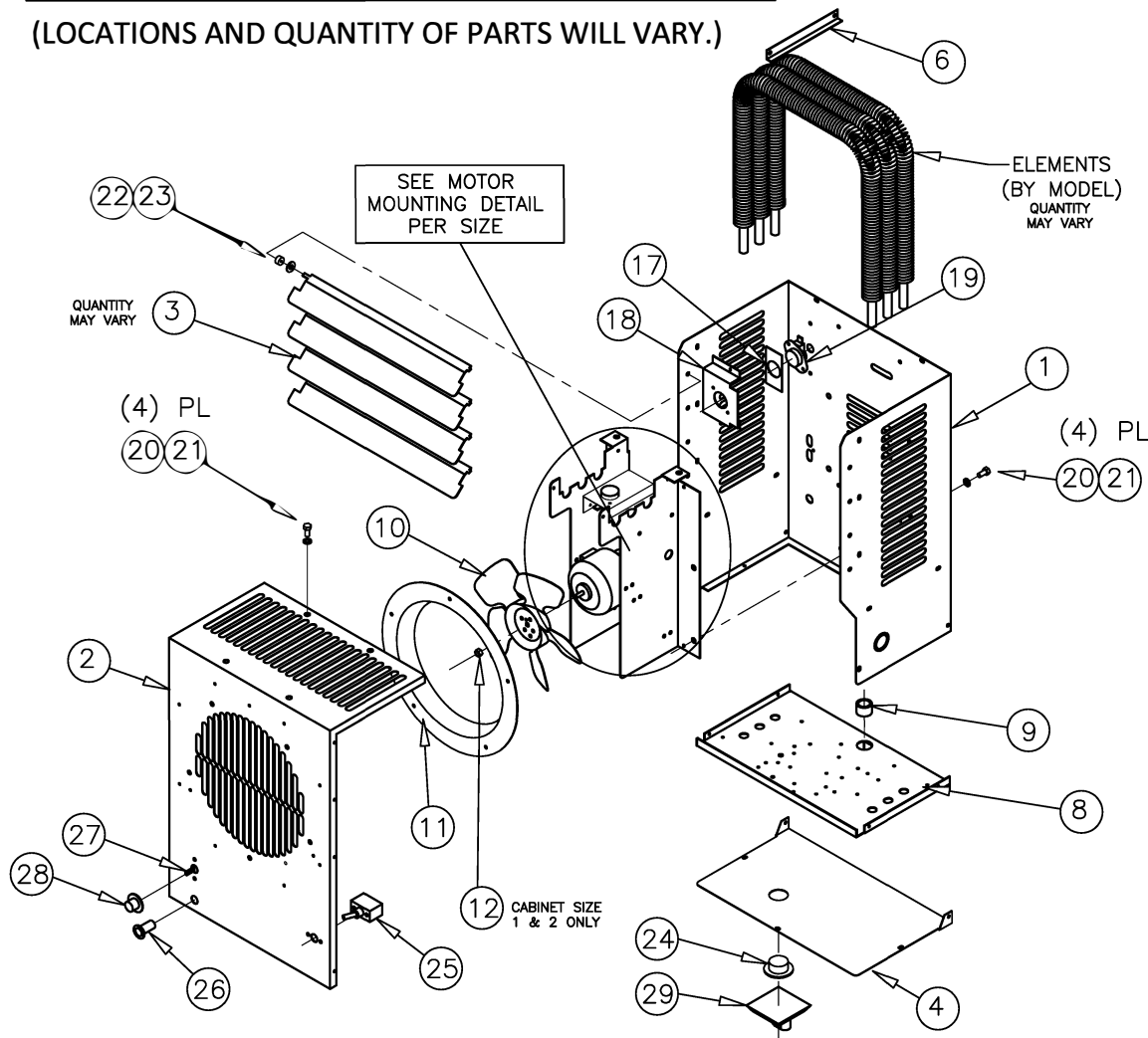


PARTS BY CATALOG NUMBER					
MODEL	KW	VAC	PH	MOTOR	ELEMENT 571Z-
240-U1025C	2.50	208	1	1024099	183155
240-U1025J	2.50	240	1	1024099	183156
240-U1025N	2.50	277	1	1024100	183157
240-U1033C	3.33	208	1	1024099	183154
240-U1033J	3.33	240	1	1024099	183155
240-U1033N	3.33	277	1	1024100	183156
240-U1038D	3.76	208	3	1024099	183155
240-U1038K	3.75	240	3	1024099	183156
240-U1037U	3.75	480	3	1024101	183157
240-U1050C	5.00	208	1	1024099	183154
240-U1050J	5.00	240	1	1024099	183155
240-U1050N	5.00	277	1	1024100	183156
240-U1050D	5.00	208	3	1024099	183154
240-U1050K	5.00	240	3	1024099	183155
240-U1050U	5.00	480	3	1024101	183156
240-U2067C	6.67	208	1	1024102	183158
240-U2067J	6.66	240	1	1024102	183159
240-U2067N	6.66	277	1	1024103	183160
240-U2075C	7.50	208	1	1024102	183159
240-U2075J	7.50	240	1	1024102	183160
240-U2075D	7.50	208	3	1024102	183159
240-U2075K	7.50	240	3	1024102	183160
240-U2075U	7.50	480	3	1024104	183161
240-U2099C	10.00	208	1	1024102	183158
240-U2100J	9.98	240	1	1024102	183159
240-U2100N	9.99	277	1	1024103	183160
240-U2100D	10.00	208	3	1024102	183158
240-U2100K	9.98	240	3	1024102	183159
240-U2100U	10.00	480	3	1024104	183160
240-U3133C	13.33	208	1	1024105	183158
240-U3133J	13.31	240	1	1024105	183159
240-U3132N	13.32	277	1	1024106	183160
240-U3150D	15.00	208	3	1024105	183159
240-U3150K	15.00	240	3	1024105	183160
240-U3150U	15.00	480	3	1024107	183161
240-U3199C	20.00	208	1	1024105	183158
240-U3200J	19.97	240	1	1024105	183159
240-U3200N	19.98	277	1	1024106	183160
240-U3200D	20.00	208	3	1024105	183158
240-U3199K	19.97	240	3	1024105	183159
240-U3200U	20.00	480	3	1024107	183160
240-U4250D	25.01	208	3	1024108	183162
240-U4250K	25.01	240	3	1024108	183163
240-U4250U	25.00	480	3	1024108	183164
240-U4333K	33.32	208	3	1024108	277564
240-U4333U	33.29	240	3	1024108	183162
240-U4375K	37.51	240	3	1024108	183163
240-U4375U	37.50	480	3	1024108	183164
240-U4498D	49.98	208	3	1024108	183165
240-U4500K	49.94	240	3	1024108	183162
240-U4500U	50.01	480	3	1024108	183163

CABINET, MOTOR AND HEATING ELEMENTS

(LOCATIONS AND QUANTITY OF PARTS WILL VARY.)



PARTS BY UNIT SIZE

BUBBLE	CABINET								FAN					THERMAL CUTOUTS							
	01	02	03	04	5A	5B	06	07	08	09	10	11	12	13 (A&B)	14	15	16	17	18	19	
	BACK	FRONT	LOUVERS	COVER	ELEM. SUPPORT LEFT	ELEM. SUPPORT RIGHT	ELEMENT BRACE	ARTCO BRACKET	BRIDGE 24CV	BRIDGE 120CV	WIRING GROMMET	BLADE	RING	LOCK NUT	MOTOR HDW	AUTO CUTOUT	FAN DELAY CUTOUT	MANUAL GROMMET	MRTCO BARRIER	MRTCO BRACKET	MANUAL RESET
SIZE 1: <=5 KW	1023916	1023917	1023920	1023919	1023922	1024541	1023925	1023924	1023918	1024030	1004528	1024109	1024096	1000570	(A) #8 BOLT	1006881	1023873 (3)	1004558 (1)	1024563 (1)	1023939 (1)	1006981 (1)
SIZE 2: 5.1 TO 10 KW	1023926	1023927	1023930	1023929	1023923	1024542	1023925	1023924	1023918	1024031	1004528	1024110	1024097	1000570	(A) #8 BOLT	1006881	1023873	1004558 (1)	1024563 (1)	1023939 (1)	1006981 (1)
SIZE 3: 10.1 TO 20 KW	1024047	1024048	1023930	1024052	1024053	1024543	1024054	1023924	1024049	-	1004528	1024111	1024097	-	(A) #8 BOLT	1006881	1023873	1004558	1024563	1023939	1006981
SIZE 4: 20.1 TO 50 KW	1024117	1024118	1024124	1024127	1024123	1024544	1024121	1024122	1024119 (2)	1024120 (2)	1004533	1018060	1024098	-	(B) 10-32 NUT	1006877	1023873	1004558	1024563	1023939	1006981

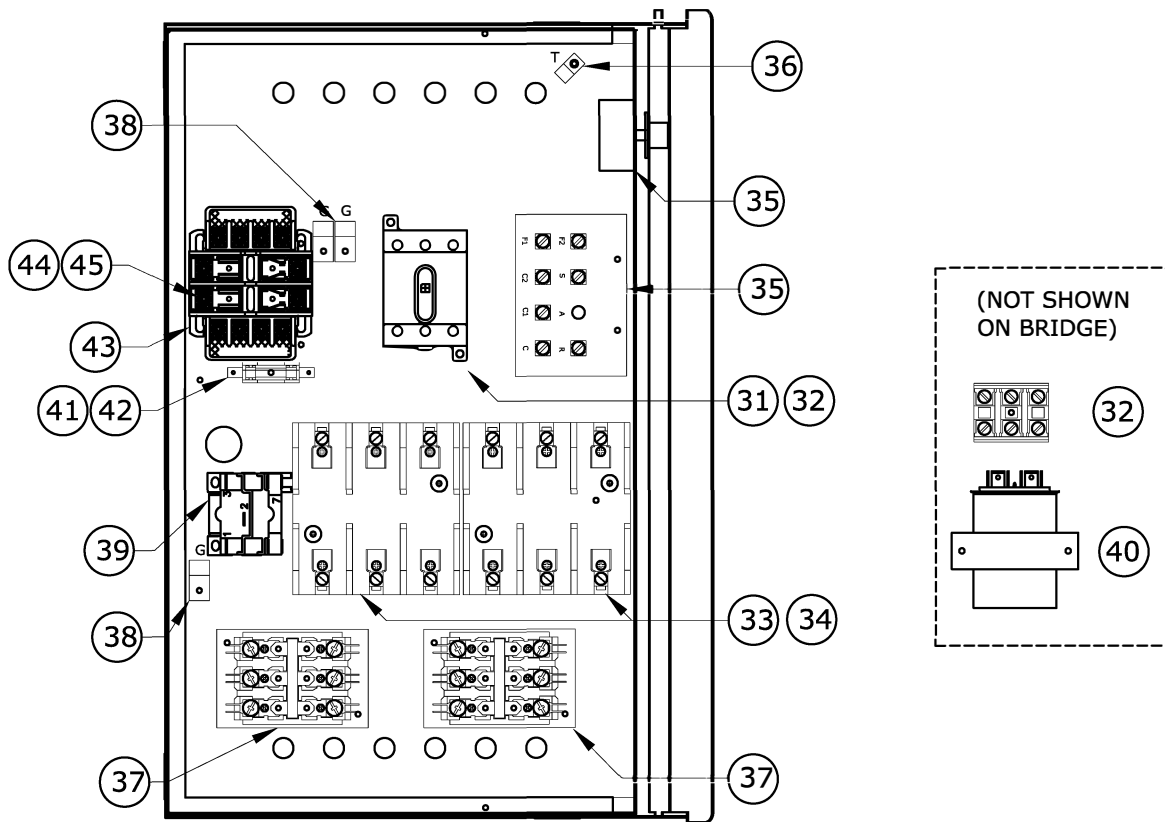
- ① OPTIONAL ON UNIT SIZES 1 & 2
- ② 1024119=6 ELEMENTS, 1024120=9 ELEMENTS
- ③ NOT SUPPLIED ON UNITS UNDER 3.3KW
- ④ UNITS OVER 80 AMPS USE HANDLE 1023577

PARTS FOR ALL UNIT SIZES

MISCELLANEOUS HARDWARE					OPTIONS						
20	21	22	23	24	25	26	27	28	29		
CABINET BOLT	CABINET WASHER	LOUVER SPACER	LOUVER WASHER	COVER PLUG	FAN SWITCH	PILOT LIGHT 24V	PILOT LIGHT 120V	THERMOSTAT 1 STAGE	THERMOSTAT 2 STAGE	TSTAT KNOB	DISCONNECT HANDLE
1006344	1002191	1001617	1000727	1009516	1004288	1001798	1001774	1024488	1024489	1023867	1016502 (4)



ELECTRICAL COMPONENTS (LOCATION AND QUANTITY OF PARTS WILL VARY.)



COMPONENTS BY CATALOG

CATALOG NUMBER	KW	VAC	PH	31	32	33	34
				DISCONNECT SWITCH (1)	TERMINAL BLOCK (1)	POWER FUSES (2)	FUSE BLOCK
240-U1025C	2.50	208	1	1016495	1000447	-	-
240-U1025J	2.50	240	1	1016495	1000447	-	-
240-U1025N	2.50	277	1	1016495	1000447	-	-
240-U1033C	3.33	208	1	1016495	1000447	-	-
240-U1033J	3.33	240	1	1016495	1000447	-	-
240-U1033N	3.33	277	1	1016495	1000447	-	-
240-U1038D	3.76	208	3	1016495	1000419	-	-
240-U1038K	3.75	240	3	1016495	1000419	-	-
240-U1037U	3.75	480	3	1016495	1000419	-	-
240-U1050C	5.00	208	1	1016496	1000447	-	-
240-U1050J	5.00	240	1	1016495	1000447	-	-
240-U1050N	5.00	277	1	1016495	1000447	-	-
240-U1050D	5.00	208	3	1016495	1000419	-	-
240-U1050K	5.00	240	3	1016495	1000419	-	-
240-U1050U	5.00	480	3	1016495	1000419	-	-
240-U2067C	6.67	208	1	1016497	1000447	-	-
240-U2067J	6.66	240	1	1016496	1000447	-	-
240-U2067N	6.66	277	1	1016496	1000447	-	-
240-U2075C	7.50	208	1	1016497	1000447	-	-
240-U2075J	7.50	240	1	1016496	1000447	-	-
240-U2075D	7.50	208	3	1016495	1000419	-	-
240-U2075K	7.50	240	3	1016495	1000419	-	-
240-U2075U	7.50	480	3	1016495	1000419	-	-
240-U2099C	10.00	208	1	1016498	1000433	-	-
240-U2100J	9.98	240	1	1016497	1000433	-	-
240-U2100N	9.99	277	1	1016497	1000447	-	-
240-U2100D	10.00	208	3	1016496	1000419	-	-
240-U2100K	9.98	240	3	1016496	1000419	-	-
240-U2100U	10.00	480	3	1016495	1000419	-	-
240-U3133C	13.33	208	1	1016499	1000433	1005074	1005705
240-U3133J	13.31	240	1	1016498	1000433	1005067	1005705
240-U3132N	13.32	277	1	1016498	1000433	1005172	1005684
240-U3150D	15.00	208	3	1016497	1000433	1005095	1005655
240-U3150K	15.00	240	3	1016497	1000419	1005088	1005655
240-U3150U	15.00	480	3	1016495	1000419	1005130	1005648
240-U3199C	20.00	208	1	1023411	1000327	1005095	1005705
240-U3200J	19.97	240	1	1023411	1000327	1005095	1005705
240-U3200N	19.98	277	1	1016499	1000327	1005165	1005691
240-U3200D	20.00	208	3	1016498	1000433	1005067	1005655
240-U3199K	19.97	240	3	1016498	1000433	1005095	1005655
240-U3200U	20.00	480	3	1016496	1000419	1005144	1005698
240-U4250D	25.01	208	3	1016499	1000327	1005081	1005655
240-U4250K	25.01	240	3	1016498	1000433	1005074	1005655
240-U4250U	25.00	480	3	1016496	1000419	1005151	1005698
240-U4333D	33.32	208	3	1023411	1000327	1005095	1005655
240-U4333K	33.29	240	3	1023411	1000327	1005095	1005655
240-U4333U	33.34	480	3	1016497	1000433	1005172	1005698
240-U4375D	37.51	208	3	1023411	1000327	1005081	1005655
240-U4375K	37.51	240	3	1023411	1000327	1005074	1005655
240-U4375U	37.50	480	3	1016497	1000433	1005172	1005698
240-U4498D	49.98	208	3	1023411	1000327	1005095	1005655
240-U4500K	49.94	240	3	1023411	1000327	1005095	1005655
240-U4500U	50.01	480	3	1016498	1000433	1005172	1005698

35	36	37		38		39		40		41	42
CONTROL BOARD	TSTAT CAP. CLAMP	CONTROLLING CONTACTORS	GROUND LUG	FAN SWITCH RELAY	CAPACITOR (SZ 4 ONLY)	SECONDARY FUSING (3)					
1023872	1003220	CNTRL V/POLES	PART NO.	SZ 1-3	SZ 4	24CV	120CV	CAPACITOR	STRAP	FUSE	FUSE BLOCK
		24V/2P	1003314	1006101	1006166	1020743	1024182	1025933	1003186	1005270	1005641
		24V/3P	1003853								
		120V/2P	1003332								
		120V/3P	1003871								
XFMR	43	43		44	45	43		44	45		
PRIMARY VOLTS	24V SEC.	120V SECONDARY-25VA (4)				120V SECONDARY-50VA (4)					
	XFMR	REPLACEMENT KIT(5)	XFMR	PRIM. FUSE(2)	FUSE BLOCK	REPLACEMENT KIT(5)	XFMR	PRIM. FUSE(2)	FUSE BLOCK		
208	1024312	1007164-208-120	1029051	1029105	1029125	1007220-208-120	1029054	1029108	1029125		
240	1007244	1007167-240-120	1029052	1029105		1007223-240-120	1029055	1029108			
277	1024313	1007170-277-120	1029053	1029104		N/A	1029056	1029107			
480	1024314	1007164-480-120	1029052	1029103		1007223-480-120	1029055	1029105			

- (1) DISCONNECT SWITCH IS OPTIONAL. SIZES 1 & 2 MAY NOT HAVE A TERMINAL BLOCK.
- (2) FUSING OPTIONAL ON SIZES 3 & 4 UNITS UNDER 48A; NOT AVAILABLE FOR SIZE 1 & 2 UNITS.
- (3) SECONDARY FUSING WAS PREVIOUSLY REQUIRED FOR 120V XFMRs. NOW IT IS OPTIONAL.
- (4) 50VA TRANSFORMER REQUIRED FOR MULTIPLE HEATER CIRCUITS OR FAN SWITCH RELAY.
- (5) KIT INCLUDES TRANSFORMER, (2) FUSES, FUSE BLOCK AND INSTRUCTIONS FOR REPLACING PREVIOUSLY SUPPLIED TRANSFORMERS WITHOUT PRIMARY FUSING.