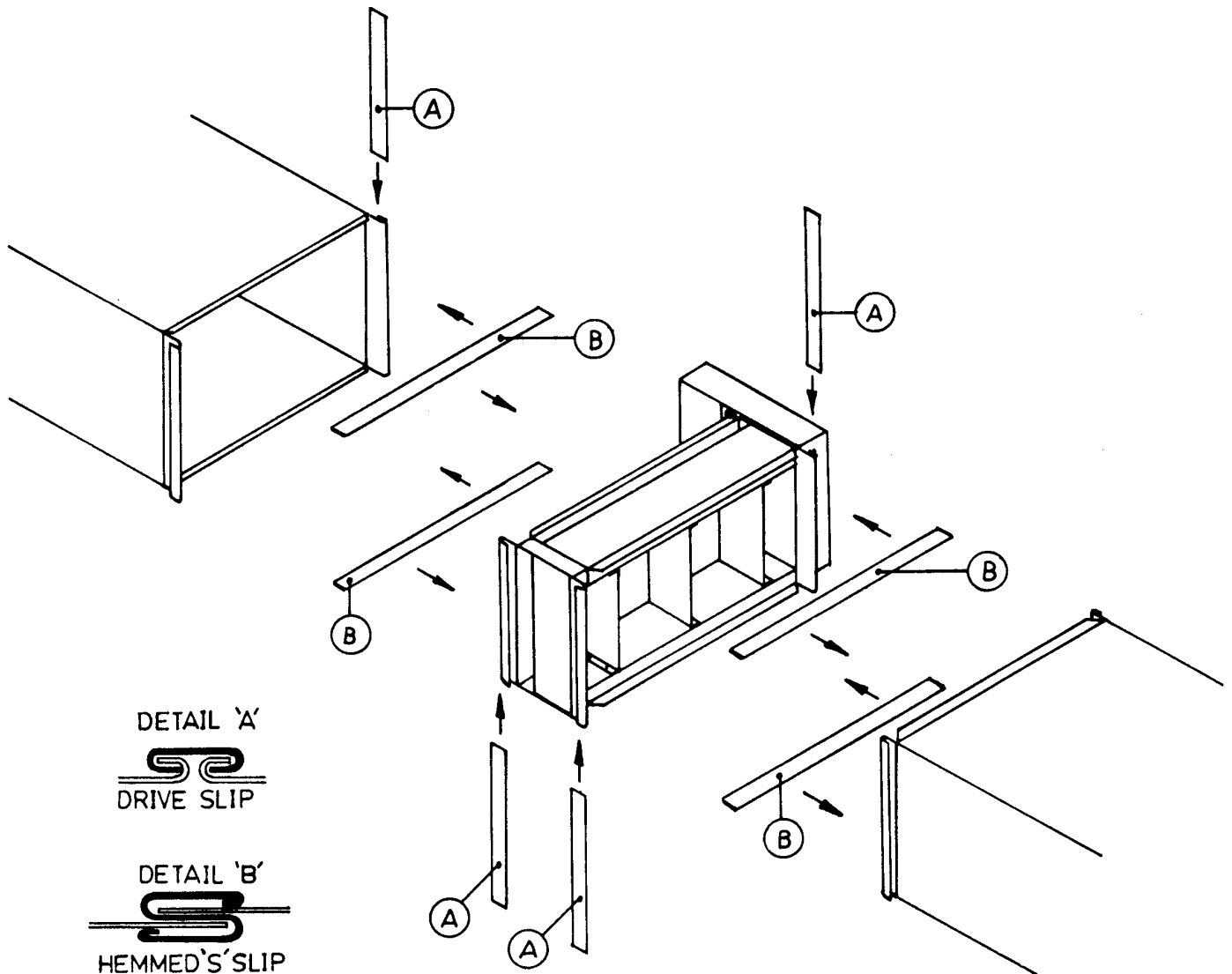


# Supplemental Instruction Sheet

## Slip-and-Drive Construction

(MANUFACTURED UNDER PATENT NO. 4603247)



THIS HEATER HAS BEEN CONSTRUCTED FOR ATTACHMENT DIRECTLY TO THE DUCT WORK USING SLIP-AND-DRIVE CLIPS, AS SHOWN IN THE ABOVE DRAWING.

SUPPORTING DUCT WORK, SLIP AND DRIVE CLIPS AND MOUNTING SHALL BE DONE IN ACCORDANCE WITH SMACNA LOW PRESSURE DUCT DESIGN MANUAL.

ALL OTHER REQUIREMENTS OUTLINED IN THE HEATER IOM SHALL ALSO APPLY.



Phone: 314-333-5500  
www.heatrex.com