

INSTALLATION INSTRUCTIONS

CAUTION:

- High temperature, risk of fire, keep electrical cords, drapery, furnishings, and other combustibles at least 36 in. (915 mm) from the front of the heater. To reduce the risk of fire, do not store or use gasoline or other flammable vapors and liquids in the vicinity of the heater.
- Ceiling installation only.
- Do not install heater less than 10 in. (250 mm) from walls.
- Do not obstruct front of heater for at least 72 in. (1829 mm).
- Disconnect all power supplies before working on any circuit.

IMPORTANT:

- 1- Must be installed solidly. This heater could weight up to:
Single unit: 26 lb (12 kg)
Double unit: 52 lb (24 kg)
- 2- Connect the control according to the wiring diagram in the heater.
- 3- Do not interrupt power supply to control this heater.
- 4- Any remote thermostat or relay must be connected to the heater control terminal block.
- 5- If an electronic thermostat is used, it must be compatible with forced-air heaters.

OPTIONS:

Refer to the instruction supplied with the option.

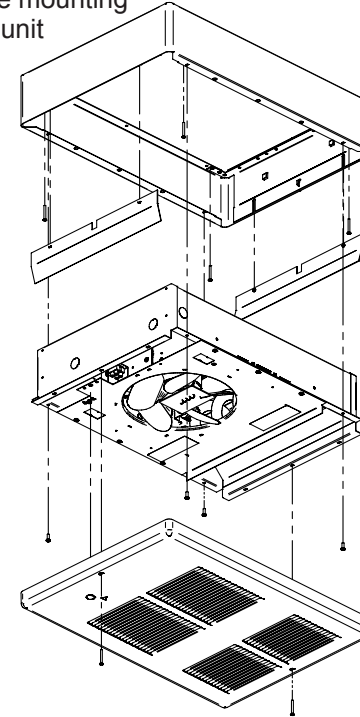
RECESS MOUNTING:

- 1- Heater must be used with recess box.
- 2- Provide a ceiling opening as:
Depth: 4 5/16 in. (109 mm)
Height: 19 7/8 in. (506 mm)
Length: - Single unit: 14 7/16 in. (368 mm)
- Double unit: 30 3/16 in. (767 mm)
- 3- Remove the appropriate knock-out from the recess box for the electrical supply.
- 4- Attach firmly the recess box using provided screws. Make sure that the edge on each side of the recess box lean on the gypsum panel and not on the structural parts of the ceiling. See marking on the sides of the recess box.
- 5- Install the heater to the recess box and be sure that the heater is attach firmly with four (4) provided screws.
- 6- Connect the heater leads to the supply leads according to national and local codes. See wiring diagram in the front cover of the heater.
- 7- Make sure the fan rotates freely and that there is no foreign object in the heater.
- 8- Install the front cover using the provided screws. **IMPORTANT:** Make sure that the part of the front cover without louver is in front of the supply terminal box.
- 9- To test the heater temporarily, set thermostat at maximum temperature.

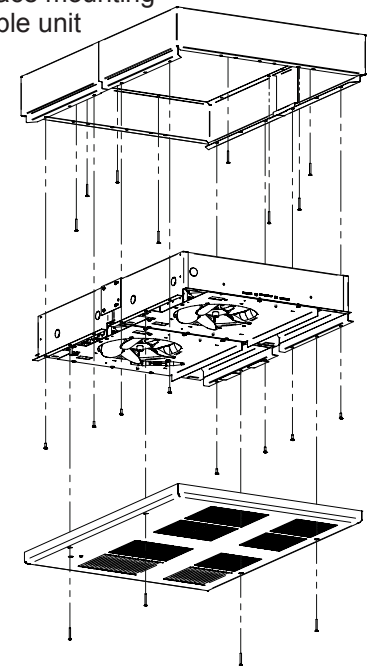
SURFACE MOUNTING:

- 1- The surface box must be used with recess box.
- 2- Locate the power supply leads behind the planned location of the heater (surface box).
- 3- Mount the surface box securely to the ceiling with provided screws. **IMPORTANT:** For a single surface box, there are two brackets fixed at the top and bottom. Unfold the metal hooks to remove the brackets. Insert the front cover supports (top and bottom) in the surface box before continuing the installation. See illustration to install properly.
- 4- Follow instructions 3 to 9 as above for recess mounting.

Surface mounting
Single unit



Surface mounting
Double unit



SUSPENDED CEILING MOUNTING:

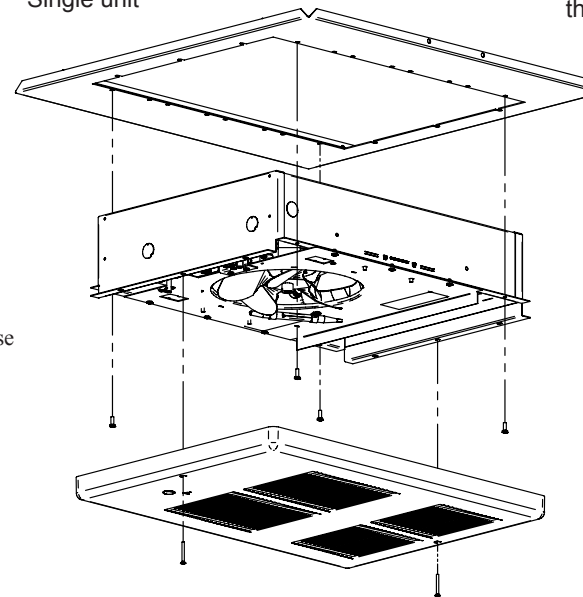
SINGLE UNIT:

- 1- Remove one suspended ceiling tile.
- 2- Insert the adaptor for suspended ceiling in place of the removed tile.
- 3- Firmly secure the adaptor to the ceiling using the holes for this purpose (see illustration).
- 4- Refer to the installation instructions to the "Recessed Mounting" section to complete the installation of the unit.

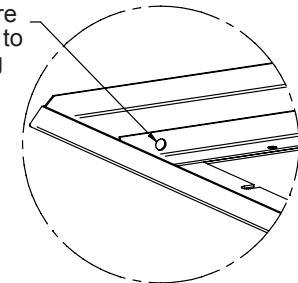
DOUBLE UNIT:

- 1- Remove two suspended ceiling tiles, side by side.
- 2- Strengthen the structure of the suspended ceiling before cutting T-bar passes through the opening.
- 3- Insert the adaptor for suspended ceiling in place of the removed tiles.
- 4- Firmly secure the adaptor to the ceiling using the holes for this purpose (see illustration).
- 5- Refer to the installation instructions to the "Recessed Mounting" section to complete the installation of the unit.

Adaptor for suspended ceiling
Single unit

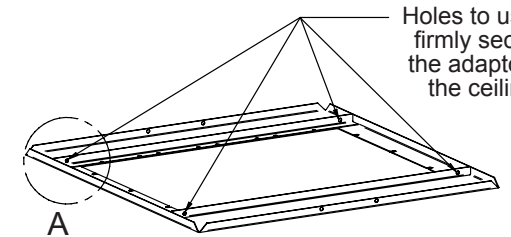


Hole to use to firmly secure the adaptor to the ceiling



DETAIL A

Holes to use to firmly secure the adaptor to the ceiling



A