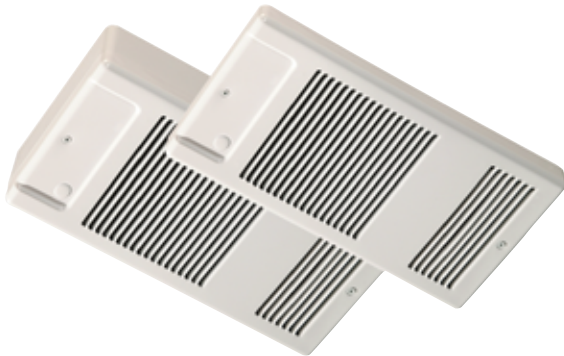


941 SERIES

Fan-Forced Ceiling Heater



Applications

- Breezeways
- Small Offices
- Entryways
- Storage Rooms
- Restrooms

The 941 Series ceiling heater is designed for recessed mounting into a ceiling. It provides heat in a quiet, efficient manner. Single units can heat small areas and multiple heaters can be used in large or odd-shaped rooms.

- **Mounting Options:** Units can be surface (with optional box) or recessed mounted. A tapered recess box assures a tight fit when mounted into the wall.

Standard



Special Colors



Standard Construction Features

Housing – The cabinet is 20-gauge steel with a V-shaped recessed box.

Outlet Grille – The louvered front grille is made from 22-gauge steel with rounded corners. The grille is finished with an epoxy/polyester powder paint in white or almond. Optional colors: metallic silver, bronze, metallic charcoal, aluminum, and semi-gloss.

Built-in Controls – Automatic reset thermal cutout.

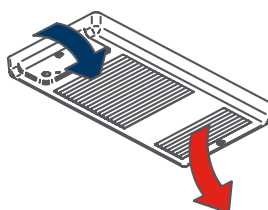
Fan Motor – Quiet, permanently lubricated axial fan operates at 38 dBA at 40 CFM for models up to 1,000 W and 41.3 dBA at 80 CFM for all models rated above 1,000 W.

Installation Requirements – The air outlet should be installed a minimum of ten inches from the wall and should be oriented towards the center of the room.

Control – Room temperature is controlled by a remote wall mounted thermostat which is sold separately.

Rough In Dimensions – All heaters: 7-3/16" wide x 14-1/8" high x 3" deep.

Pictures showing front panel. Directional vane air flow.



Phone: 314-333-5500
www.heatrex.com

941 SERIES Fan-Forced Ceiling Heater

Heater Listing

Watts	Volts (1 Phase)	Total Amps (1)	CFM	Approximate Air Temperature Rise °F (°C)	Weight lb (kg)	Catalog Number
500	120	4.6	40	40 (22)	9 (4)	HX-941U00500B
500/375	240/208	2.3/2.0	40	40/30 (22/17)	9 (4)	HX-941U00500V
750	120	6.7	40	60 (33)	9 (4)	HX-941U00750B
750/563	240/208	3.3/2.9	40	60/45 (33/25)	9 (4)	HX-941U00750V
1000	120	8.7	40	80 (44)	9 (4)	HX-941U01000B
1000/750	240/208	4.5/3.8	40	80/60 (44/33)	9 (4)	HX-941U01000V
1250	120	10.8	80	50 (28)	9 (4)	HX-941U01250B
1250/938	240/208	5.4/4.7	80	50/37 (28/21)	9 (4)	HX-941U01250V
1500	120	12.9	80	60 (33)	9 (4)	HX-941U01500B
1500/1125	240/208	6.5/5.6	80	60/45 (33/25)	9 (4)	HX-941U01500V

(1) Total Amps = Heating element amps and motor amps.

All models listed are single-phase.

Standard colors - Add W for white finish or A for almond finish to the end of catalog number.

Special or custom colors - See inside back cover for color codes to be added to end of catalog number.

Factory Built-in Options

Code	Description
D3	Disconnect Switch 277V, Double-pole, 16 Amp
C	Factory Sealed Elements for high humidity applications

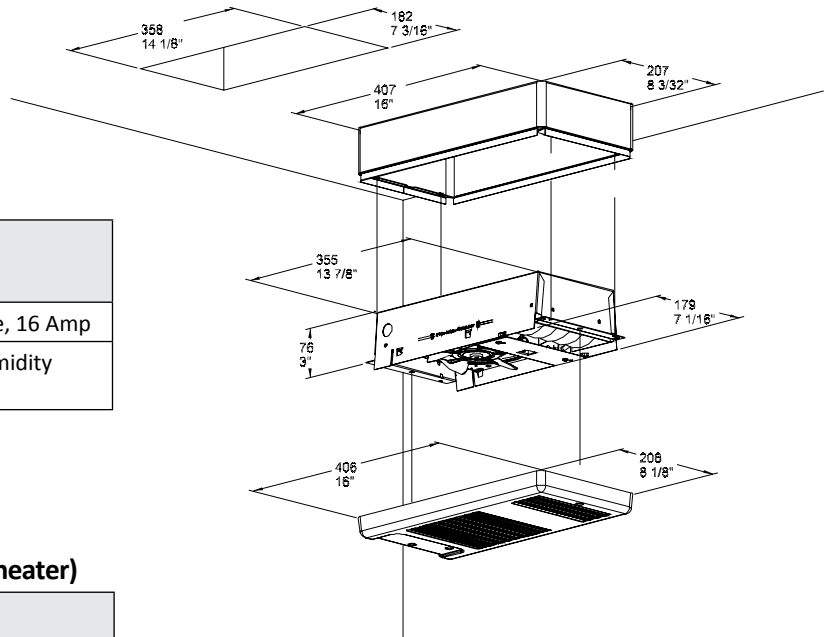
Field-Installed Options

(shipped loose for field installation into heater)

Catalog Number	Description
941-227578	Surface Mounting Box

Standard colors - Add W for white finish or A for almond finish to the end of catalog number.

Special or custom colors - See inside back cover for color codes to be added to end of catalog number.



Remote Room Thermostat – See page 41.



Phone: 314-333-5500
www.heatrex.com