

931 SERIES

Commercial Ceiling Heater



The 931 Series ceiling heater is designed for commercial use in areas where no wall space is available. It provides supplemental heat to prevent cold drafts or wide temperature swings.

- **Extended Capacity:** Heaters are available as single or double modules with ratings up to 8,000 W and 320 CFM in 480 volt single-phase.
- **Control Options:** Heaters can be controlled by a building management system with the addition of a low voltage relay.
- **Flexible Mounting:** Units can be surface, (with optional surface mounting box) recessed or installed in T-Bar ceiling systems.

Applications

- Entryways
- Garages
- Hallways
- Restrooms
- Stairwells
- Vestibules

Standard Construction Features

Heating Elements – Steel finned tubular elements.

Outlet Grille – The louvered front grille is made of 18-gauge steel with rounded corners. The grille is finished with a polyester powder paint in white or almond.

Built-in Controls – Automatic reset thermal cutout, fan override and 240 volt standard control, with contactor when required.

Fan Motor – Permanently lubricated, open and ventilated fan.

Installation Requirements – For best performance, do not install ceiling heaters above recommended maximum mounting height of ten feet. Heater must be installed at least ten inches from adjacent walls.

Rough In Dimensions –

- 1500/1125 - 4800 Watt heaters: 14-1/2" wide x 19-7/8" high x 4-1/2" deep.
- 6000/4500 - 8000 Watt heaters: 30-3/16" wide x 19-7/8" high x 4-1/2" deep.

Factory Built-in Options

Code	Description
D1	Disconnect Switch 600V, Three-pole, 40 Amp
D3	Disconnect Switch 277V, Double-pole, 20 Amp
R1	24V Control Relay
R2	24V Control Relay with Transformer
T1	Built-in Tamperproof Thermostat
T2	Adjustable Thermostat

Remote Room Thermostat – See page 99

Standard colors - Add W for white finish or A for almond finish to the end of catalog number.

Special or custom colors - See inside back cover for color codes to be added to end of catalog number.

Field-Installed Options

(shipped loose for field installation into heater)

Catalog Number	Description
931-124506	Surface Mounting Box (1500-4800W)
931-158213	Surface Mounting Box (6000-8000W)
931-124507	Thermostat Kit
931-124508	24V Control Relay Kit
931-124509	24V Control Relay with Transformer, 208V Kit
931-124510	24V Control Relay with Transformer, 240V Kit
931-124511	24V Control Relay with Transformer, 277V Kit
931-124512	T-Bar Adapter 23-3/4" x 23-3/4" (1500-4000W)
931-124513	T-Bar Adapter 23-3/4" x 23-3/4" (6000-8000W)
931-218272	Extruded Aluminum Front Grille (1500-4000W)
931-218273	Extruded Aluminum Front Grille (6000-8000W)
931-218274	Surface Mounting Box for Aluminum Front Grille (1500-4800W)
931-218275	Surface Mounting Box for Aluminum Front Grille (6000-8000W)

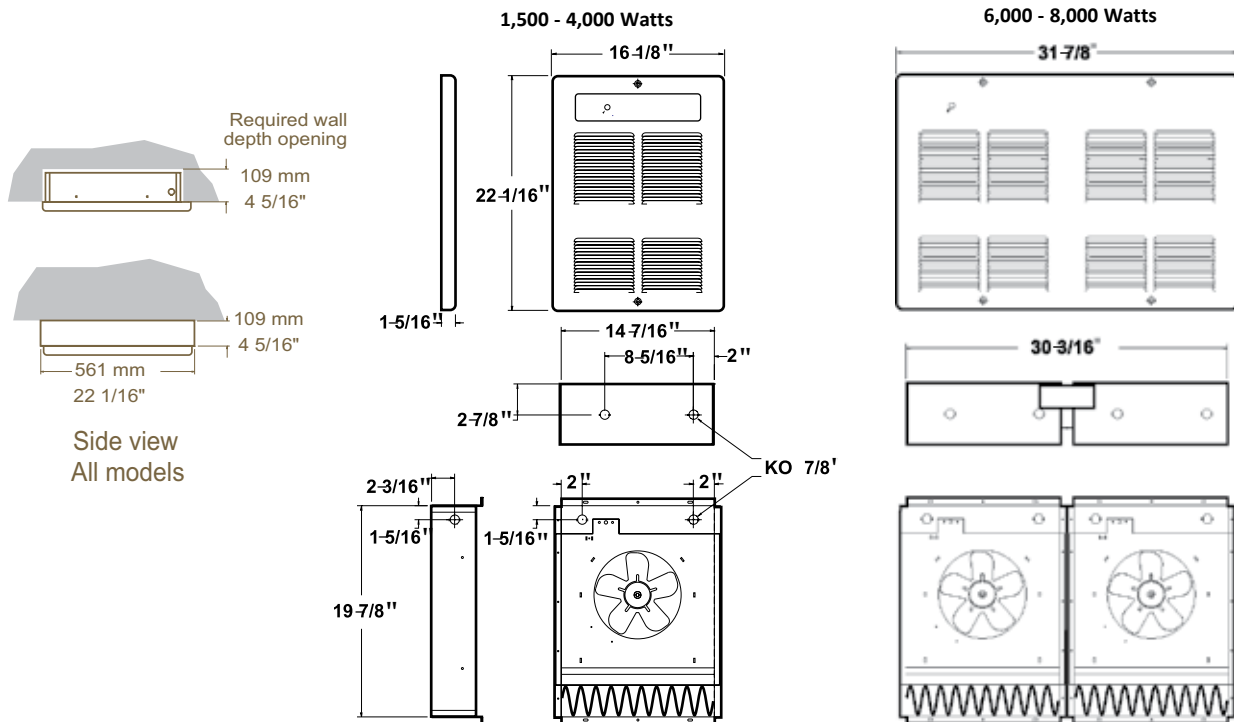
Heater Listing

Watts	Volts (1 Phase)	Totals Amps (1)	CFM	Approximate Air Temperature Rise °F (°C)	Weight lb (kg)	Catalog Number
1500/1125	240/208	6.6/5.8	160	30/27 (17/12)	20 (9)	HX-931U01500V
1500	120	12.9	160	30/27 (17/12)	20 (9)	HX-931U01500B
	277	5.8	160	30 (17)	26 (12)	HX-931U01500N
	480	3.5	160	30 (17)	26 (12)	HX-931U01500T
2000/1500	240/208	8.7/7.6	160	40/30 (22/17)	20 (9)	HX-931U02000V
2000	277	7.6	160	40 (22)	26 (12)	HX-931U02000N
	480	4.5	160	40 (22)	26 (12)	HX-931U02000T
3000/2250	240/208	12.9/11.2	160	60/45 (33/25)	20 (9)	HX-931U03000V
3000	277	11.2	160	60 (33)	26 (12)	HX-931U03000N
	480	6.6	160	60 (33)	26 (12)	HX-931U03000T
4000/3000	240/208	17.0/14.8	160	80/60 (44/33)	20 (9)	HX-931U04000V
4000	208	19.6	160	80 (44)	20 (9)	HX-931U04000C
	277	14.8	160	80 (44)	26 (12)	HX-931U04000N
	480	8.7	160	80 (44)	26 (12)	HX-931U04000T
6000/4500	240/208	25.4/22.0	320	60/45 (33/25)	40 (18)	HX-931U06000V
6000	277	22.1	320	60 (33)	52 (24)	HX-931U06000N
	480	12.9	320	60 (33)	52 (24)	HX-931U06000T
8000/6000	240/208	33.7/29.2	320	80/60 (44/33)	40 (18)	HX-931U08000V
8000	208	38.9	320	80 (44)	40 (18)	HX-931U08000C
	277	29.3	320	80 (44)	52 (24)	HX-931U08000N
	480	17.1	320	80 (44)	52 (24)	HX-931U08000T

(1) Total Amps includes motor amps.

Standard colors - Add **W** for white finish or **A** for almond finish to the end of catalog number.

Special or custom colors - See inside back cover for color codes to be added to end of catalog number.



Phone: 314-333-5500
www.heatrex.com