



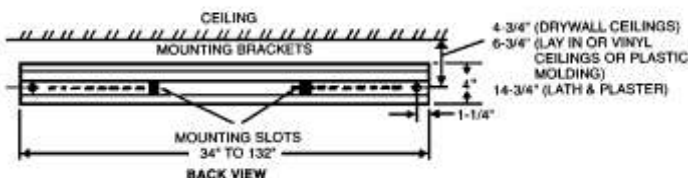
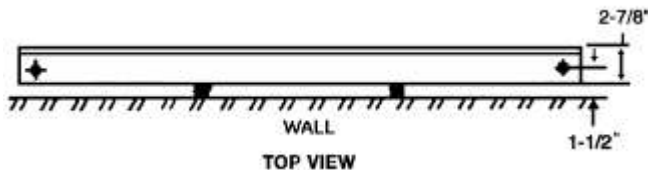
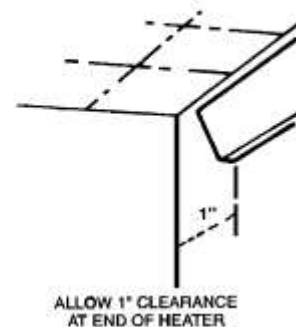
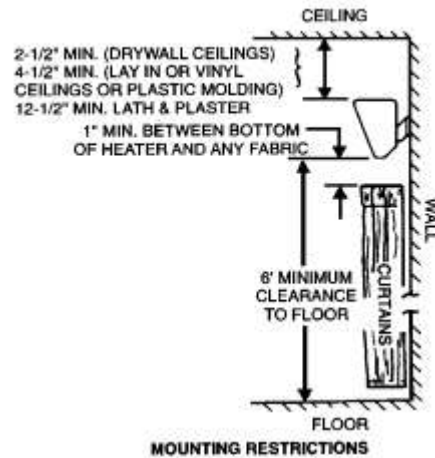
INSTALLATION, OPERATION AND MAINTENANCE INSTRUCTIONS FOR COVE HEATER

Catalog Number	Voltage	Wattage	Amperes	Length
C-4512	120		3.8	
C-4508	208	450	2.2	34"
C-4524	240		1.9	
C-6012	120		5.0	
C-6008	208	600	2.9	47"
C-6024	240		2.5	
C-7512	120		6.2	
C-7508	208	750	3.6	59"
C-7524	240		3.1	
C-9012	120		7.6	
C-9008	208	900	4.3	71"
C-9024	240		3.8	

Catalog Number	Voltage	Wattage	Amperes	Length
C-9027	277	900	3.2	71"
C-10512	120		8.8	
C-10508	208	1050	5.0	83"
C-10524	240		4.4	
C-12012	120		10.0	
C-12008	208	1200	5.8	94"
C-12024	240		5.0	
C-15008	208	1500	7.2	106-1/4"
C-15024	240		6.3	
C-18008	208	1800	8.6	118-1/4"
C-18024	240		7.5	
C-20008	208	2000	9.6	132"
C-20024	240		8.3	

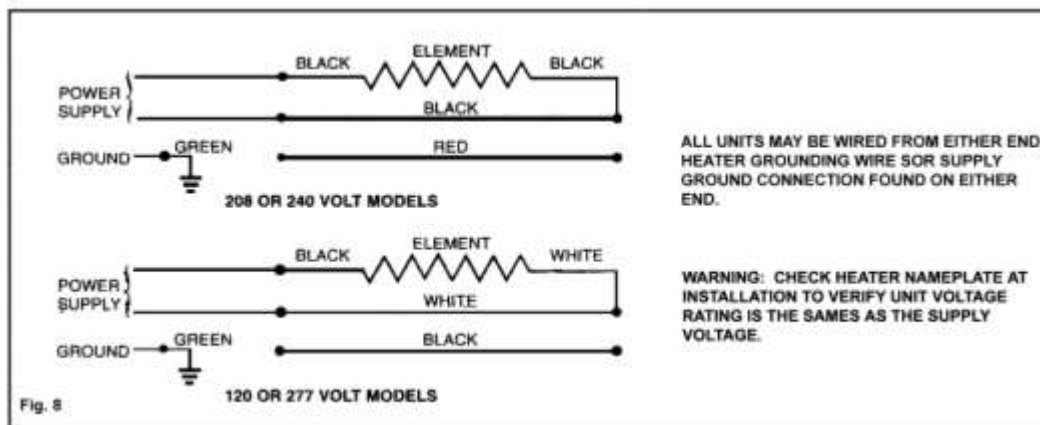
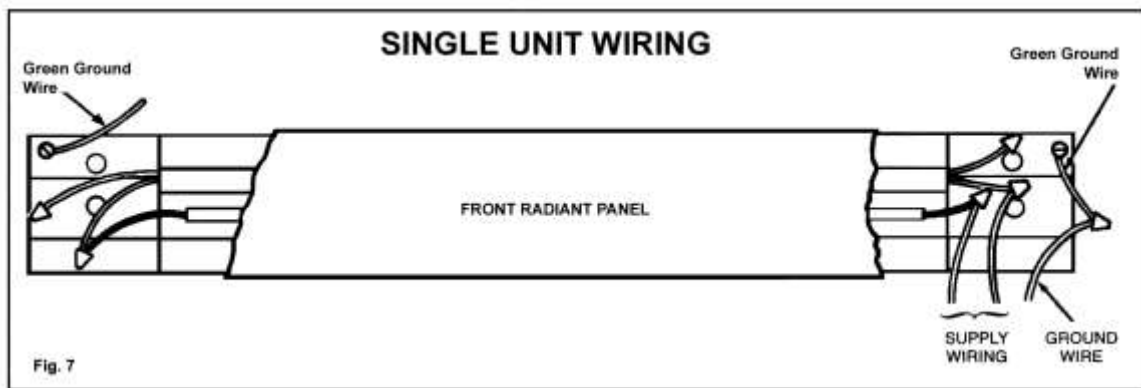
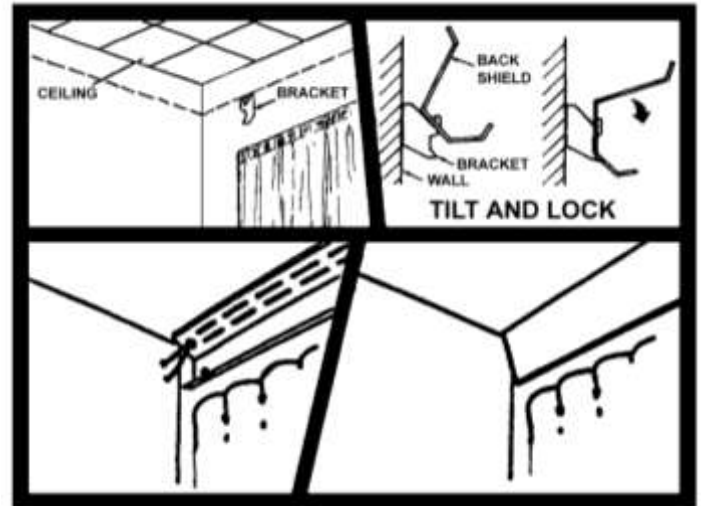
Caution:

- Do not recess cove heaters.
- Shut off electric current to circuit on which you are working.
- Make certain all wiring is in accordance with local codes and units are grounded.
- Check voltage rating of heater to make certain it is same as supply voltage.
- Never install heater without supplied wall brackets.
- Maintain one inch clearance below heater and any fabric.
- Heater should not be blocked in any manner.
- Do not paint heater in any manner.**
- Do not mount closer than 4-1/2" from false ceilings, vinyl ceilings and plastic moldings.
- Do not use plastic conduits for direct connection to comfort cove.
- Allow 1" clearance between heaters – do not "butt" end to end.
- Allow 12-1/2" clearance from top of heater for lath & plaster ceilings, and plastic ceilings.
- Wood ceilings and walls require the same clearance as standard drywall construction.



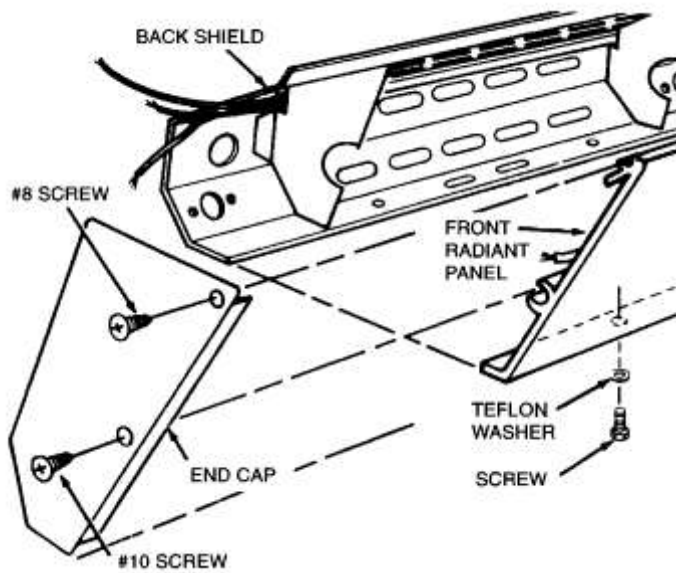
Mounting Units To Wall

1. Locate a wall stud for each bracket provided, such that when heater is attached to brackets, they divide heater length into equal increments.
2. Attach brackets to wall studs with wood screws provided, use template provided to mark screw locations depending upon type of ceiling.
3. Attach back shield to brackets by tilting back shield back and allowing back shield slot to fall onto bracket hook then simply bring back shield forward locking into place.
4. Hang front panel on back shield and complete wiring as directed.
5. Secure front panel to back shield with painted screws and Teflon washers provided.
6. Complete wiring as directed below.
7. Attach end caps.
8. Loosen the two outermost painted screws holding the painted front panel in place about one revolution (this is to allow for expansion).
9. Do not "butt" heaters end to end.
10. When the comfort cove is first energized, an initial break-in fragrance may be noticed – this is normal.

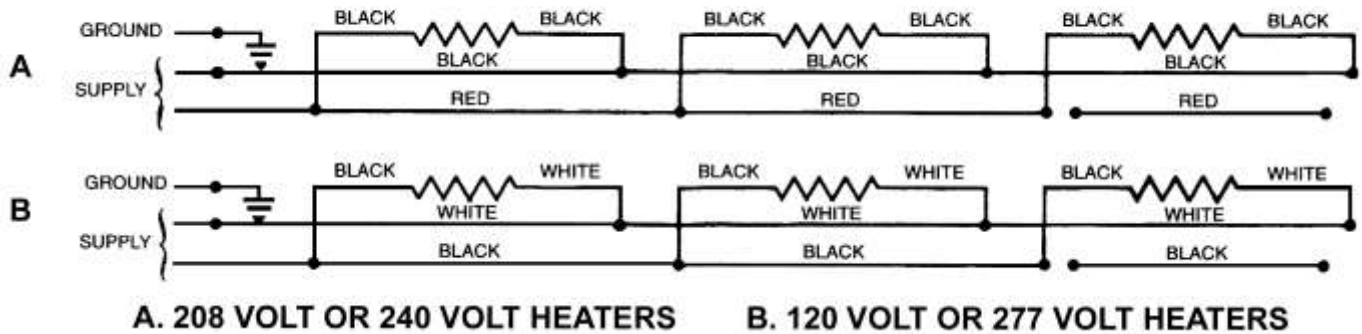


INDIVIDUAL HEATER WIRING INSTRUCTIONS

1. Remove the appropriate electrical knockouts from the back shield.
2. Rough in all supply wiring, then attach to heater through knockouts using proper connectors.
3. Connect supply wiring to heater as shown in Fig. 7 or as shown in wiring diagrams provided with accessory units.



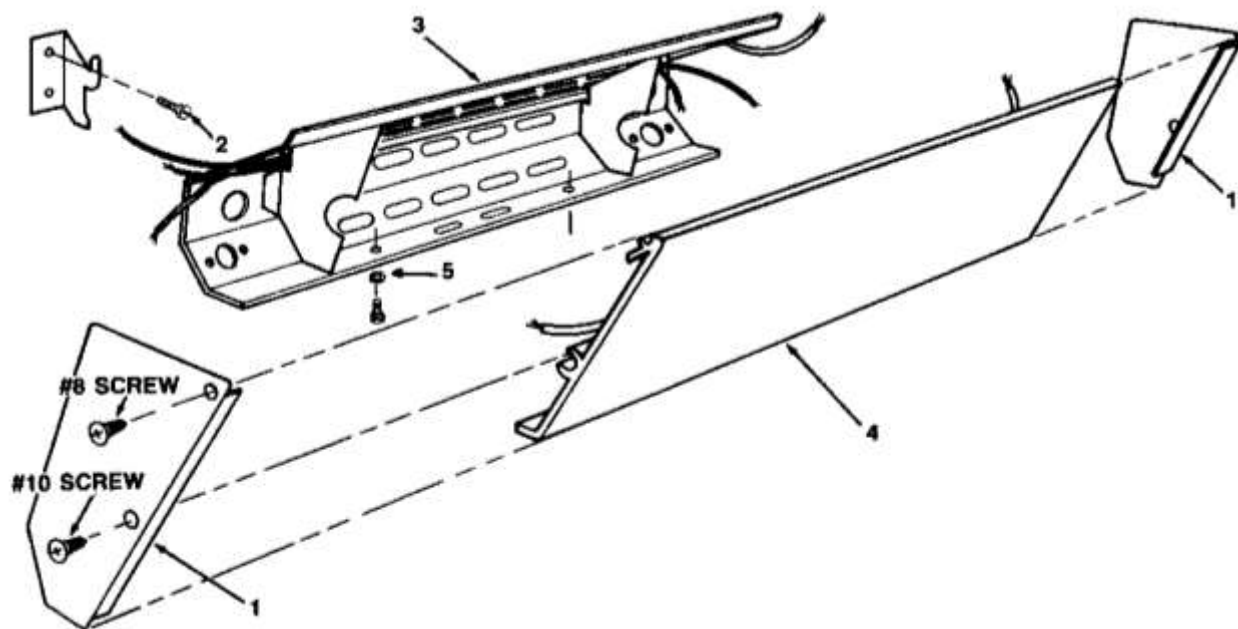
TWO OR MORE HEATERS - SUPPLY AT END



With heaters in tandem, allow 1" clearance per heater at outside end of last heater in heater row and in between.

CAUTION: Total load must not exceed 16 amps for interconnected heaters.

Repair Parts



<u>PART DESCRIPTION</u>	<u>PART NUMBER</u>	<u>REFERENCE NUMBER</u>
34" Back Shield	334+ Voltage	3
47" Back Shield	347+ Voltage	3
59" Back Shield	359 - Voltage	3
71" Back Shield	371 - Voltage	3
83" Back Shield	383 - Voltage	3
94" Back Shield	394 - Voltage	3
106" Back Shield	3106 - Voltage	3
118" Back Shield	3118 - Voltage - Watt	3
132" Back Shield	3132 - Voltage - Watt	3
34" Front Panel	434 - Voltage - Color	4
47" Front Panel	447 - Voltage - Color	4
59" Front Panel	459 - Voltage - Color	4
71" Front Panel	471 - Voltage - Color	4
83" Front Panel	483 - Voltage - Color	4
94" Front Panel	494 - Voltage - Color	4
106" Front Panel	4106 - Voltage - Color	4
118" Front Panel	4118 - Voltage - Color	4
132" Front Panel	4132 - Voltage - Color	4
Bracket Kit	BRKT-Kit	2
End Cap Kit	EC-Kit	1
Nylon Insert Clip	Insert	-
Screw Kit	SCRW-Kit	5
12 oz. Aerosol Off-White	OW-PT	-