

Radiant Ceiling Panels



AS Series radiant panels are ideal for offsetting heat loss through exterior glass on the perimeter of a building. They help to control the problem of condensation typically found with these large exterior glass walls. Radiant panels provide improved comfort by maintaining an even temperature from floor to ceiling.

- **Radiant Heat:** Radiant energy travels in straight lines and is absorbed by objects in the room, warming the space. Air quality is maintained because no forced air movement occurs with radiant heating.
- **Maximize Work Area:** Ceiling mounted panels permit full use of floor and wall space.
- **Maintenance Free:** Radiant panels have no moving parts, so they are maintenance free and can provide years of quiet, safe and clean operation.

Applications

- Atriums
- Enclosed Walkways
- Entryways
- Hospitals
- Lobbies
- Offices
- Schools
- Warehouses

Standard Construction Features

Heating Element – High quality alloy resistance wire is electrically insulated with a UL Listed TEFZEL® compound rated for 200°C (392°F). Heating wires are covered with high-efficiency reflective foil.

Panel Design – Panel is made of 22-gauge galvanized steel with a white baked-on powder paint finish. Panel is crimped, not riveted, for improved strength.

Insulation – Each panel contains two inches of high temperature/high density mineral wool insulation.

Electrical – A junction box is attached to each panel for field wiring and to connect panels to each other.

Installation Requirements – Heater can be installed in suspended T-bar ceiling systems or can be surface or recessed

mounted using optional mounting frames.

Heater comes equipped with four suspension clips. Connecting wire or chain is supplied by customer.

Minimum recommended mounting height is eight feet from the floor.

Rough In Dimensions –

Plaster Mounting Frames:

- PF-22: 24-1/8" x 24-1/8"
- PF-24 and SPF 24: 24-1/8" x 48-1/8"
- PF-1448: 14-1/8" x 48-1/8"
- PF-1460: 14-1/8" x 60-1/8"

Radiant Ceiling Panels

Factory Built-in Options

Code	Description
FC	48" Flexible conduit
S	Silicone seams, provides protection in high moisture areas. Includes 36" of sealtite conduit.
TEG	Tegular reveal edge detail of 15/16" grid.
TEGF	Fineline Tegular reveal edge for 9/16" grid.

Finishes

Code	Description
O	Specify custom color finish.
PT	Standard finish; textured white baked-on powder coating on front panel.
S304	304 Stainless steel construction, includes 36" of sealtite conduit and silicone seal.
S316	316 Stainless steel construction, includes 36" of sealtite conduit and silicone seal.
SS	Silk screen to match acoustical ceiling tiles (specify style).
	One time set-up fee if pattern is not in stock.

Control Options

Catalog Number	Description
SR-LV	SmartRooms low voltage controller. Sensor(s) must be ordered at the same time. Requires connection to SmartRooms Communication Panel.
PL-1	Plaster ring for SR-LV Controller
Sensors	Used with SR-240/120, 15' long
	Longer length add per foot
SRDP-10/10	SmartRooms Panel w/10comm. Ports and 10 ea. 20 amp relays
SRDP-10/20	SmartRooms Panel w/10comm. Ports and 20 ea. 20 amp relays
SRDP-20/20	SmartRooms Panel w/20comm. Ports and 20 ea. 20 amp relays

Field-Installed Options

(shipped loose for field installation into heater)

Catalog Number	Width In. (mm)	Length In. (mm)	Weight lb. (kg)
Surface Mounting Frames			
SF-22	24 (610)	24 (610)	4 (1.8)
SF-24	24 (610)	48 (1219)	9 (4.1)
SF-1448	14 (356)	48 (1219)	8 (3.6)
SF-1460	14 (356)	60 (1524)	10 (4.5)
Plaster Mounting Frames			
PF-22	24 (610)	24 (610)	2 (1.0)
PF-24	24 (610)	48 (1219)	4 (1.8)
SPF-24 (1)	24 (610)	48 (1219)	4 (1.8)
PF-1448	14 (356)	48 (1219)	5 (2.3)
PF-1460	14 (356)	60 (1524)	6 (2.7)
Filler Panel			
FP	Sized and finished to match standard, custom color or silk screened panel.		

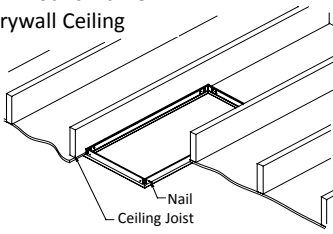
(1) Stainless steel frame, specify 304 or 316 type. Add finish code to end of catalog number.

Remote Room Thermostat – See page 98

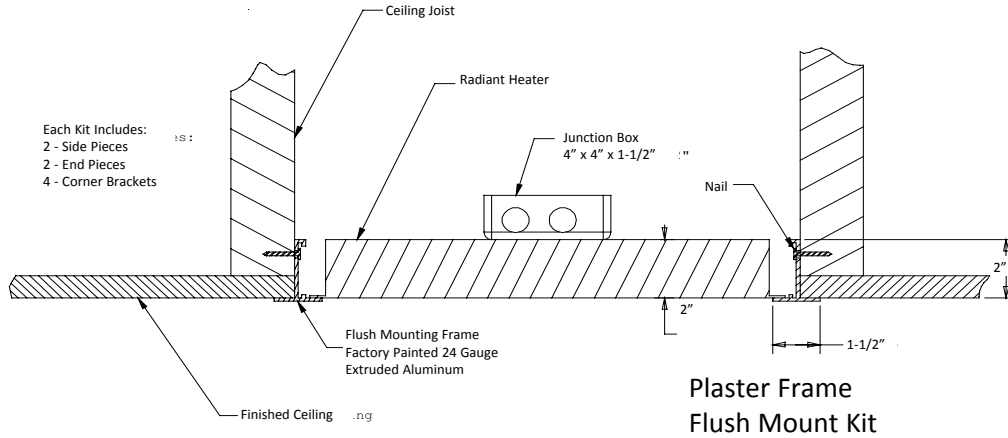
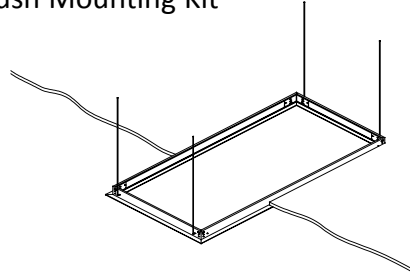


Radiant Ceiling Panels

Flush Mount Frame
in Drywall Ceiling

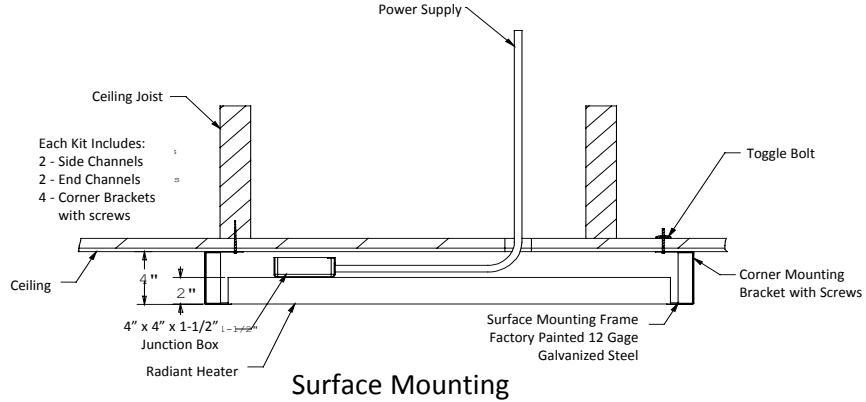


Wire Suspended
Flush Mounting Kit



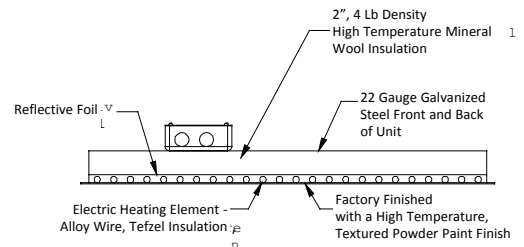
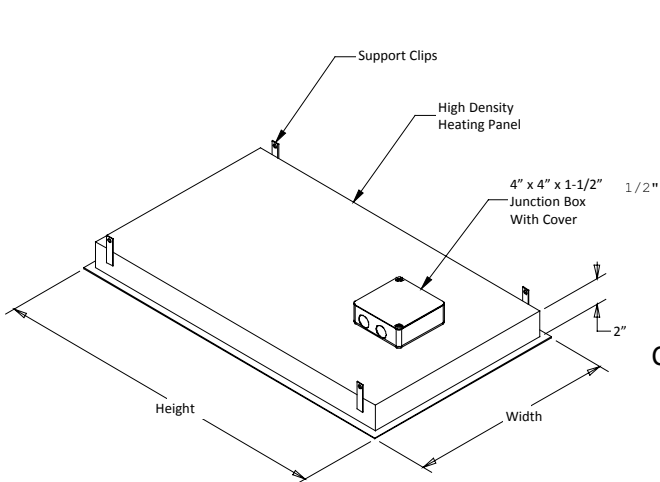
- Each Kit Includes:
2 - Side Pieces
2 - End Pieces
4 - Corner Brackets

Plaster Frame
Flush Mount Kit



- Each Kit Includes:
2 - Side Channels
2 - End Channels
4 - Corner Brackets
with screws

Surface Mounting



Cutaway View of AS Series Heater

Radiant Ceiling Panels

AS - Radiant Ceiling Panels Listing

Watts	Volts (1 Phase)	Width In. (mm)	Height In. (mm)	Amps	Weight Lb. (kg)	Catalog Number
24 x 24						
250	120	24 (610)	24 (610)	2.1	15 (6.8)	HX-AS2424-250-120
250	240	24 (610)	24 (610)	1.0	15 (6.8)	HX-AS2424-250-240
250	277	24 (610)	24 (610)	0.9	15 (6.8)	HX-AS2424-250-277
310	120	24 (610)	24 (610)	2.6	15 (6.8)	HX-AS2424-310-120
310	208	24 (610)	24 (610)	1.5	15 (6.8)	HX-AS2424-310-208
310	240	24 (610)	24 (610)	1.3	15 (6.8)	HX-AS2424-310-240
310	277	24 (610)	24 (610)	1.1	15 (6.8)	HX-AS2424-310-277
325	240	24 (610)	24 (610)	1.4	15 (6.8)	HX-AS2424-325-240
335	120	24 (610)	24 (610)	2.8	15 (6.8)	HX-AS2424-335-120
335	277	24 (610)	24 (610)	1.2	15 (6.8)	HX-AS2424-335-277
355	208	24 (610)	24 (610)	1.7	15 (6.8)	HX-AS2424-355-208
375	120	24 (610)	24 (610)	3.1	15 (6.8)	HX-AS2424-375-120
375	208	24 (610)	24 (610)	1.8	15 (6.8)	HX-AS2424-375-208
375	277	24 (610)	24 (610)	1.4	15 (6.8)	HX-AS2424-375-277
24 x 48						
500	120	24 (610)	48 (1219)	4.2	30 (13.6)	HX-AS2448-500-120
500	240	24 (610)	48 (1219)	2.1	30 (13.6)	HX-AS2448-500-240
500	277	24 (610)	48 (1219)	1.8	30 (13.6)	HX-AS2448-500-277
515	208	24 (610)	48 (1219)	2.5	30 (13.6)	HX-AS2448-515-208
535	208	24 (610)	48 (1219)	2.6	30 (13.6)	HX-AS2448-535-208
625	120	24 (610)	48 (1219)	5.2	30 (13.6)	HX-AS2448-625-120
625	208	24 (610)	48 (1219)	3.0	30 (13.6)	HX-AS2448-625-208
625	240	24 (610)	48 (1219)	2.6	30 (13.6)	HX-AS2448-625-240
660	277	24 (610)	48 (1219)	2.4	30 (13.6)	HX-AS2448-660-277
725	240	24 (610)	48 (1219)	3.0	30 (13.6)	HX-AS2448-725-240
750	120	24 (610)	48 (1219)	6.3	30 (13.6)	HX-AS2448-750-120
750	208	24 (610)	48 (1219)	3.6	30 (13.6)	HX-AS2448-750-208
750	277	24 (610)	48 (1219)	6.3	30 (13.6)	HX-AS2448-750-277
14 x 48						
300	240	14 (356)	48 (1219)	1.3	18 (8.2)	HX-AS1448-300-240
350	120	14 (356)	48 (1219)	2.9	18 (8.2)	HX-AS1448-350-120
350	277	14 (356)	48 (1219)	1.3	18 (8.2)	HX-AS1448-350-277
400	208	14 (356)	48 (1219)	1.9	18 (8.2)	HX-AS1448-400-208
435	208	14 (356)	48 (1219)	2.1	18 (8.2)	HX-AS1448-435-208
435	240	14 (356)	48 (1219)	1.8	18 (8.2)	HX-AS1448-435-240
435	277	14 (356)	48 (1219)	1.6	18 (8.2)	HX-AS1448-435-277
14 x 60						
350	120	14 (356)	60 (1524)	2.9	22 (10.0)	HX-AS1460-350-120
375	240	14 (356)	60 (1524)	1.6	22 (10.0)	HX-AS1460-375-240
375	277	14 (356)	60 (1524)	1.4	22 (10.0)	HX-AS1460-375-277
450	208	14 (356)	60 (1524)	2.2	22 (10.0)	HX-AS1460-450-208
535	277	14 (356)	60 (1524)	1.9	22 (10.0)	HX-AS1460-535-277
550	240	14 (356)	60 (1524)	2.3	22 (10.0)	HX-AS1460-550-240

Add finish code to end of catalog number. See page 93.