



425 Hanley Industrial Court, St. Louis, MO 63144
 Phone: (314) 333-5500, Fax: (314) 644-5332
 www.heatrex.com

INSTALLATION INSTRUCTIONS
HEATREX
“HX-926” Series

THE INSTALLATION MUST BE EXECUTED
 BY A QUALIFIED TECHNICIAN



ATTENTION

Basic precautions should always be followed to reduce the risk of fire, electric shock, and injury to persons.

- Read all instructions before using this heater.
- Disconnect all power supplies before working on circuit.
- Do not heat air containing combustible materials.
- Mount heater out of reach.
- Install at least 2ft. (61 cm) from floor except 40 - 60 kW at least 8 ft. (2.4 m) from floor.
- Do not use outdoors.
- Do not insert or allow foreign objects to enter any ventilation or exhaust opening as this may cause an electric shock or fire, or damage the heater.
- Do not block air intakes or exhaust in any manner.
- Heater contains arcing and sparking parts. Do not use it in areas where gasoline, paint, or flammable liquids are used or stored.
- The thermostat should not be considered an infallible device in cases where maintaining a temperature is considered critical. In these particular cases, it is imperative to add a monitoring system to avoid the consequences of a thermostat failure.
- Use this heater only as described in this manual. Any other use not recommended by the manufacturer may cause fire, electric shock, or injury to persons.

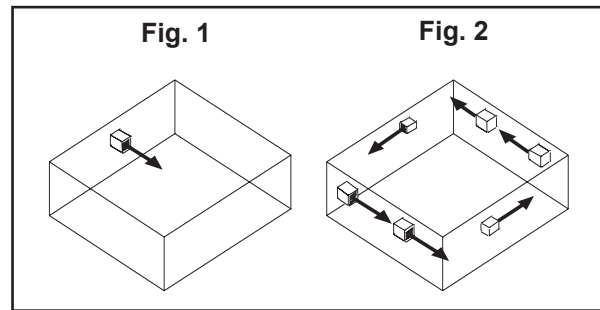
**KEEP THIS INSTRUCTION
 PAMPHLET FOR THE USER
 INS318-200711-04**

**LOCATION OF HEATERS AND REMOTE
 THERMOSTATS**

1- For best results, do not exceed mounting heights as per table below:

Maximum recommended mounting height:	
2 - 10 kW	8 ft. (2.4 m)
15 - 30 kW	10 ft. (3.0 m)
40 - 60 kW	15 ft. (4.5 m)

- 2- Direct discharge air streams:
- Away from room occupants.
 - Away from columns, posts, machinery and partitions.
 - Parallel to outside walls.
 - Along the windward side of buildings exposed to prevailing winds.
- 3- Locate thermostats on interior partitions, walls or posts (insulate from cold steel posts). Install thermostats away from cold drafts, internal heat sources and from heater discharge.
- 4- Small rooms require only one unit heater. In large rooms, arrange multiple units to provide perimeter circulation as illustrated in Fig. 1 and Fig. 2.



POWER SUPPLY CONNECTIONS

The power supply may be single or three phase as shown on the nameplate. The wiring diagram is on the inside of the terminal compartment cover. Wire heater in accordance with local and national codes.

TEST

- To test the unit heater, temporarily set thermostat to maximum temperature.
- Make sure that the fan rotates in the correct direction; airflow should be in the direction of the arrow such as indicated on the Fig. 4.

WARNING

- Disconnect all power supplies before working on circuit.
- Do not heat air containing combustible materials.
- Mount heater out of reach.
- Install at least 2 ft. (61 cm) from floor except 40 - 60 kW at least 8 ft. (2.4 m) from floor.
- Put all covers back on heater before testing.

Minimum clearance from walls and ceiling are:

2 - 10 kW	4 in. (10 cm)
15 - 30 kW	6 in. (15 cm)
40 - 60 kW	12 in. (30 cm)

OVERTEMPERATURE PROTECTION

The motor and the electric heating elements are protected against overtemperature by automatic reset thermal high-limits. Cycling of either high-limit is an indication of abnormal operation and should be corrected at once.

LUBRIFICATION OF MOTOR

The motor includes sealed lubrication-free bearings.

MAINTENANCE

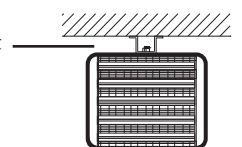
Once a year, remove the dust accumulation inside the heater using a vacuum cleaner or compressed air. Cleaning should be done while the heater is disconnected from the supply circuit.

A qualified technician should perform any other servicing.

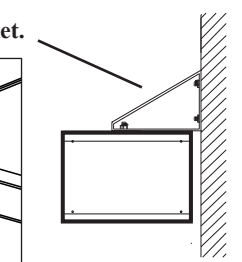
Fig. 3

MOUNTING “HX-926” 2 - 30 kW
 Horizontal wall or ceiling mounting using 1 of 2 supplied brackets which allow 360° rotation.

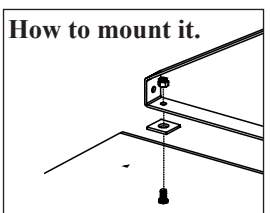
Ceiling mounting using the U-shaped bracket



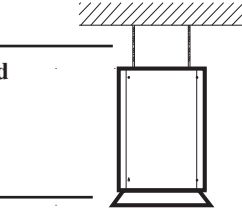
Wall mounting using the triangular bracket.



How to mount it.



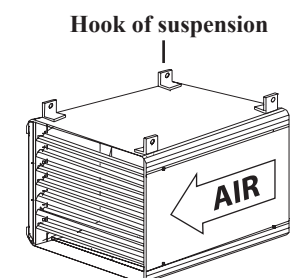
Vertical mounting using 4 threaded rods 1/2 in - 13 UNC not included



Diffuser cone available

Fig. 4

MOUNTING “HX-926” 40 - 60 kW
 4 hooks of suspension supplied 1/2 in -13 UNC threaded rods not included



Hook of suspension

AIR