

928 SERIES

Vertical Unit Heater



Applications

- Aircraft Hangars
- Factories
- Garages
- Gyms
- High Bay Areas
- Malls
- Power Generating Stations
- Shipping and Receiving Areas
- Warehouses

The 928 Series unit heater is designed to heat buildings with high ceilings. It may also be used to recirculate warm air that builds up near ceilings. 928 Series heaters can be used as primary, supplemental or dual heating systems in commercial or industrial buildings.

- **Vertical Airflow:** Suitable for applications in high bay industrial buildings where columns, machinery or warehouse stock would obstruct horizontal air movement.
- **Air Distribution Patterns:** Three optional air diffusers produce different air distribution patterns to accommodate various applications.

Standard Construction Features

Heating Elements – Steel finned tubular elements are grounded for extra safety.

Housing – Cabinet is constructed of 18-gauge galvanized steel with an almond polyester powder paint finish.

Fan Motor – Quiet, totally enclosed motor is thermally protected.

Built-in Controls – Contactor, fan override, terminal block for remote fan control and linear automatic reset thermal cutout.

Installation Requirements – Do not install heater closer than 24 inches from walls and ceiling. Mount heaters out of reach, at least eight feet from the floor.

Factory Built-in Options

Code	Description
D1	Disconnect Switch 40A, 600V, 3-Pole
D2	Disconnect Switch 80A, 600V, 3-Pole
R1	24V Relay
R2	24V Relay with Transformer
X	120V Control, fused secondary and grounded

Remote Room Thermostat – See page 99

Field-Installed Options

(shipped loose for field installation into heater)

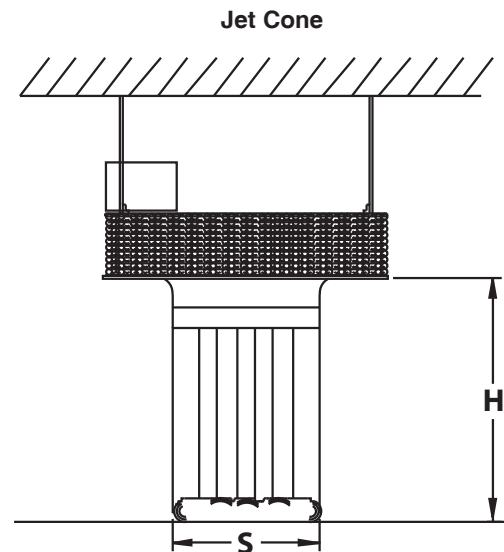
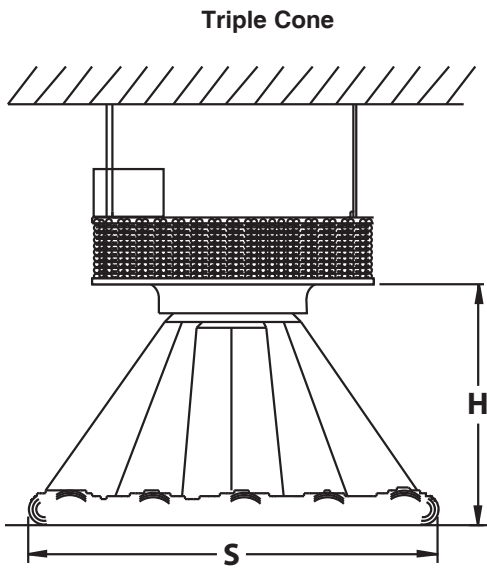
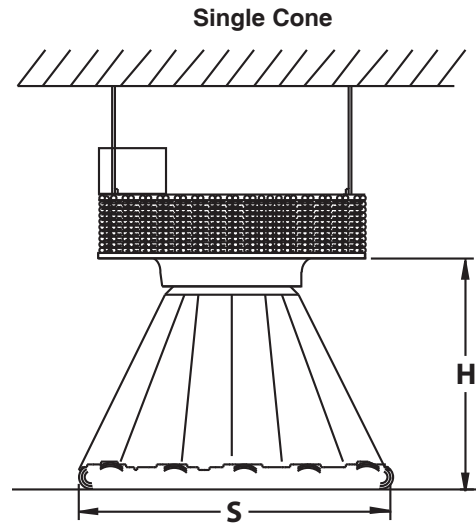
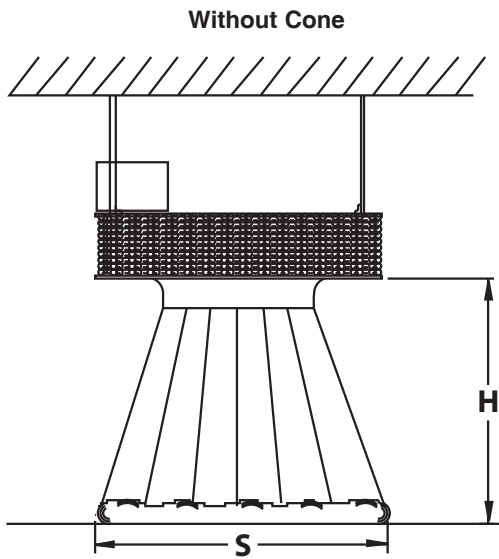
Catalog Number	Description
928-124521	Single Cone Diffuser 5-10 KW
928-124522	Single Cone Diffuser 15-30 KW
928-124523	Triple Cone Diffuser 5-10 KW
928-124524	Triple Cone Diffuser 15-30 KW
928-124525	Jet Cone Diffuser 5-10 KW
928-124526	Jet Cone Diffuser 15-30 KW
928-124527	24V Relay Kit
928-124528	24V Relay Kit with Transformer-208V
928-124529	24V Relay Kit with Transformer-240V



928 SERIES

Vertical Unit Heater

Air Distribution Patterns



Maximum Mounting Height

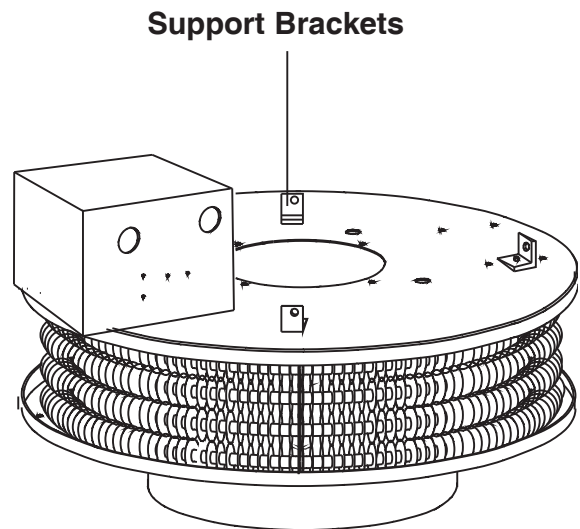
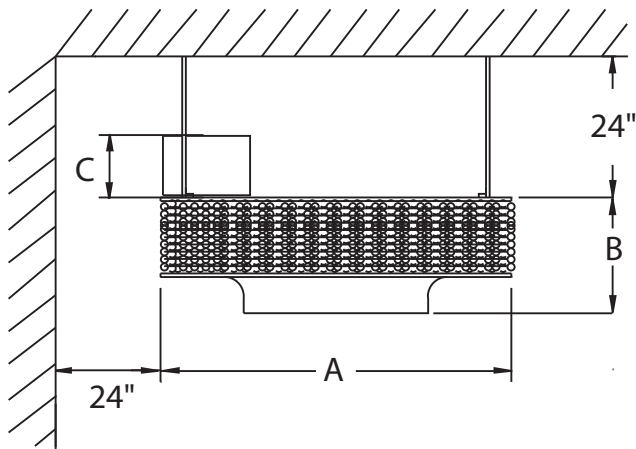
KW	Without Cone		Single Cone		Triple Cone		Jet Cone	
	H	S	H	S	H	S	H	S
	Ft (m)	Ft (m)	Ft (m)	Ft (m)	Ft (m)	Ft (m)	Ft (m)	Ft (m)
5-10	12 (4)	19 (6)	8 (3)	22 (7)	10 (3)	31 (10)	16 (5)	20 (6)
15-30	18 (6)	20 (9)	10 (4)	33 (10)	14 (4)	43 (13)	22 (7)	26 (9)



Phone: 314-333-5500
www.heatrex.com

928 SERIES

Vertical Unit Heater



Model (Without Cone)	A	B	C
	In. (mm)	In. (mm)	In. (mm)
5-10 KW	23-1/8 (587)	8 (203)	6-15/16 (176)
15-30 KW	30-1/4 (768)	12-3/16 (310)	6-11/16 (170)

928 SERIES

Vertical Unit Heater

Heater Listing

KW	Volts	Phase	Total Amps (1)	CFM	Approx. Air Temp. Rise °F (C°)	Motor Data			Weight lb (kg)	Catalog Number
						HP	RPM	Voltage		
3.2	480	3	4.7	450	22 (12)	1/25	1050	208/240	75 (34)	HX-928C03200UA
4.8	480	3	6.6	450	34 (19)	1/25	1050	208/240	75 (34)	HX-928C04800UA
5	208	1	24.9	450	34 (19)	1/25	1050	208/240	75 (34)	HX-928C05000CA
	208	3	14.7	450	34 (19)	1/25	1050	208/240	75 (34)	HX-928C05000DA
	240	1	21.7	450	34 (19)	1/25	1050	208/240	75 (34)	HX-928C05000JA
	240	3	12.9	450	34 (19)	1/25	1050	208/240	75 (34)	HX-928C05000KA
6.4	480	3	8.6	600	34 (19)	1/25	1050	208/240	75 (34)	HX-928C06400UA
7.5	208	3	21.7	600	40 (22)	1/25	1050	208/240	75 (34)	HX-928C07500DA
	240	1	32.1	600	40 (22)	1/25	1050	208/240	75 (34)	HX-928C07500JA
	240	3	18.9	600	40 (22)	1/25	1050	208/240	75 (34)	HX-928C07500KA
9.6	480	3	12.5	1200	25 (14)	1/6	1140	208/240	100 (48)	HX-928C09600UA
10	208	3	28.6	750	41 (23)	1/25	1050	208/240	75 (34)	HX-928C10000DA
	240	1	42.5	750	41 (23)	1/25	1050	208/240	75 (34)	HX-928C10000JA
	240	3	24.9	750	41 (23)	1/25	1050	208/240	75 (34)	HX-928C10000KA
12.8	480	3	16.3	1200	34 (19)	1/6	1140	208/240	100 (48)	HX-928C12800UA
15	208	3	42.6	1200	40 (22)	1/6	1140	208/240	100 (48)	HX-928C15000DA
	240	1	63.4	1200	40 (22)	1/6	1140	208/240	100 (48)	HX-928C15000JA
	240	3	37	1200	40 (22)	1/6	1140	208/240	100 (48)	HX-928C15000KA
16	480	3	20.2	1600	32 (18)	1/6	1140	208/240	100 (48)	HX-928C16000UA
19.2	480	3	24	1600	38 (21)	1/6	1140	208/240	100 (48)	HX-928C19200UA
20	208	3	56.5	1600	40 (22)	1/6	1140	208/240	100 (48)	HX-928C20000DA
	240	1	84.2	1600	40 (22)	1/6	1140	208/240	100 (48)	HX-928C20000JA
	240	3	49.1	1600	40 (22)	1/6	1140	208/240	100 (48)	HX-928C20000KA
25	208	3	70.4	2000	40 (22)	1/6	1140	208/240	100 (48)	HX-928C25000DA
	240	1	105.0	2000	40 (22)	1/6	1140	208/240	100 (48)	HX-928C25000JA
	240	3	61.1	2000	40 (22)	1/6	1140	208/240	100 (48)	HX-928C25000KA
30	208	3	84.2	2300	41 (23)	1/6	1140	208/240	100 (48)	HX-928C30000DA
	240	1	125.9	2300	41 (23)	1/6	1140	208/240	100 (48)	HX-928C30000JA
	240	3	73.2	2300	41 (23)	1/6	1140	208/240	100 (48)	HX-928C30000KA

(1) Total Amps = Heating element amps and motor amps.
Only available with almond finish.



Phone: 314-333-5500
www.heatrex.com