

# 924 SERIES Unit Heater



## Applications

- Basements
- Entrances
- Garages
- Mechanical Rooms
- Storage Rooms
- Workshops
- Service Areas in Air Handling Units

The 924 Series unit heater is an economical choice for commercial heating applications.

- **Compact Design:** Ideal for primary or spot heating applications. Units can be wall or ceiling-mounted for horizontal airflow.
- **Versatility:** Three different heater KW ratings can be field converted to either 240 or 208 single-phase power.
- **Built-in Adjustable Thermostat:** Minimum temperature setting on thermostat can be used to disable the heater.

## Standard Construction Features

**Heating Elements** – Stainless steel tubular elements.

**Housing** – Cabinets are constructed of 20-gauge galvanized steel with an almond polyester powder paint finish.

**Outlet Grille** – The outlet grille has adjustable louvers to direct airflow and a protective screen for additional safety.

**Fan/Motor** – The fan supplies 300 CFM at 51 dBA. The motor is permanently lubricated and totally enclosed.

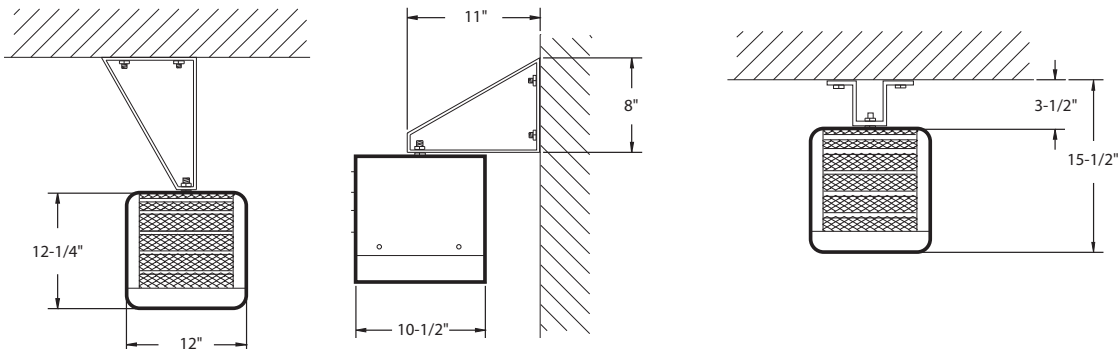
**Built-in Controls** – Automatic reset thermal cutout and adjustable thermostat.

**Mounting Bracket** – A universal mounting bracket for either wall or ceiling installation allows for 360° rotation of the heater.

## Dimensions, Airflows and Weights

Watts	Volts	Phase	Total Amps (1)	CFM	Approximate Air Temperature Rise °F (°C)	Weight lb (kg)	Catalog Number
2000/1500	240/208	1	8.7/7.6	300	21/16 (12/9)	20 (9)	HX-924U02000VA
3000/2250	240/208	1	12.9/11.2	300	32/24 (18/13)	20 (9)	HX-924U03000VA
5000/3750	240/208	1	21.2/18.4	300	53/40 (29/22)	20 (9)	HX-924U05000VA

(1) Total Amps = Heating element amps and motor amps.  
Only available with almond finish.



Phone: 314-333-5500  
www.heatrex.com