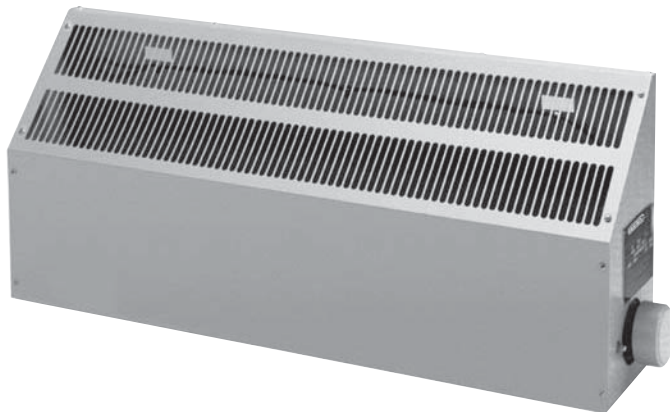


# 254 SERIES



Class I, Divisions 1 and 2, Groups B, C and D  
Class II, Divisions 1 and 2, Groups E, F and G  
Class I, Zones 1 and 2, Group IIC

## Applications

- Battery Storage Areas
- Chemical Plants
- Coal Handling Facilities
- Dry Cleaning Plants
- Gasoline Fueling/Storage Areas
- Grain Elevators
- Oil Refineries
- Paint Spraying/Storage Areas
- Petrochemical Plants

HEATREX's explosion-proof convector is designed to provide a heavy duty and corrosion resistant heat source. Features include:

- **Wide Selection of Sizes:** Four compact sizes to fit any space with ratings from 500 to 9,500 watts.
- **Sloped Top Cabinet:** Prevents objects from being set on top of the convector, which can restrict air-flow and cause overheating.
- **Single and Three-Phase:** Unique design provides single and balanced three-phase loads in a single element.
- **Gas and Dust Atmospheres:** Three listings cover the entire field, two for hazardous gases and vapors and one for dust particles.
- **Wet Locations:** All unit sizes available with iridite-coated elements and powder-coated frames for NEMA 3 wet locations.

## Standard Construction Features

**Element** – Grade A Nickel-Chromium heating coils are insulated with ceramics and magnesium oxide from the copper heater tube and fitted with large aluminum fins locked in place.

**Cabinet** – Heavy gauge galvanized steel cabinet is painted with a beige powder coat for durability. Cabinet should be mounted at least 6 inches (152 mm) above the floor. Factory-furnished wall brackets make installation easy.

**Thermal Protection** – A linear limit, automatic reset thermal cutout is built into every unit.

**Complete Electrical Package** – For larger single-phase and all three-phase units, a built-on contactor and transformer option package are available.



## Electrical Package Options

All single-phase heaters rated over 22 amps or 277 volts and all three-phase heaters require a magnetic contactor. Some electrical combinations will also require a control transformer. To simplify field

installation, these accessories are factory-mounted on the heater cabinet and factory pre-wired (not available on Size 1 convectors).

Code	Option	Description	Availability Code (2)
B2	Electric Control Option (1) (without thermostat)	Classes I and II, Groups B, C, E, D, F and G includes contactor and transformer (as required). Required for all three-phase and single-phase heaters over 22 amps or 277 volts	AS
B2/S1	Thermostat & Controls (1)	Classes I and II, Groups C, D, E, F and G includes thermostat, contactor and transformer (as required).	AS
B3	Thermostat & Controls (Group B) (1)	Classes I and II, Groups B, C, D, E, F and G includes thermostat, contactor and transformer (as required). Thermostat has internal set point.	AS
S1	Thermostat Only (1)	Classes I and II, Groups C, D, E, F and G single-phase heaters rated up to 22 amps at 120-277 volts. Use remote room thermostat Catalog Number 1007002 for Size 1 convectors.	AS
S2	Thermostat Only (Group B) (1)	Classes I and II, Groups B, C, D, E, F and G single-phase heaters rated up to 22 amps at 120-277 volts. Thermostat has internal set point. Use remote room thermostat Catalog Number 1007022 for Size 1 convectors.	AS

(1) These options are not available on Size 1 Convectors.

## Custom Option

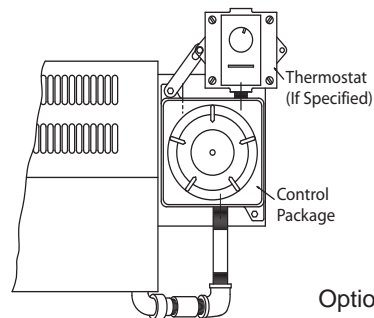
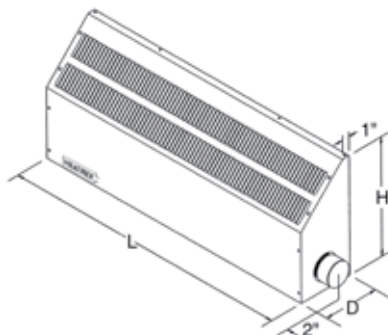
Code	Option	Description	Availability Code (2)
C1	Wet Locations	NEMA 3 rated heater construction not available with S1, B2/S1 and S2 thermostat options.	C

(2) AS = Assembly Stock, C = Custom. Assembly Stock heaters ordered with custom options are subject to longer delivery.

## Dimensions and Weights

Unit Size	Dimensions - In. (cm)			Weight - Lb (kg)
	Length (L)	Height (H)	Depth (D)	Without Controls
1	26 (66)	6 (15)	4 ½ (11)	13 (5.9)
2	26 (66)	16 (41)	8 (20)	27 (12.2)
3	39 (99)	16 (41)	8 (20)	36 (16.3)
4	67 ½ (171)	16 (41)	8 (20)	60 (27.2)

Remote Room Thermostat - See page 98.



Phone: 314-333-5500  
www.heatrex.com

# 254 SERIES

## Heater Listing

Class I, Divisions 1 and 2, Groups B, C and D  
Class I, Zones 1 and 2, Group IIC



American  
Bureau of  
Shipping

Ignition Temperature Code °F (°C)	KW	Volts/Phase	Heater Amps	Unit Size	Catalog Number	Availability Code (2)
T2A 536 (280)	0.5	120/1	4.2	1	HX-254-F0310052B	AS
		208/1	2.4	1	HX-254-F0310052C	
		240/1	2.1	1	HX-254-F0310052J	
	1	120/1	8.3	1	HX-254-F0310102B	
		208/1	4.8	1	HX-254-F0310102C	
		240/1	4.2	1	HX-254-F0310102J	
	1.8	120/1	15.0	2	HX-254-F0320182B	
		208/1	8.7	2	HX-254-F0320182C	
		240/1	7.5	2	HX-254-F0320182J	
		480/3▲	1.3	2	HX-254-F0320182U	
		600/3▲	1.8	2	HX-254-F0320182Z	
	2.5	208/1	12.0	2	HX-254-F0320252C	
		240/1	10.4	2	HX-254-F0320252J	
		208/3★	6.9	2	HX-254-F0320252D	
		480/3▲	3.0	2	HX-254-F0320252U	
		600/3▲	2.4	2	HX-254-F0320252Z	
	3.6	208/1	17.3	3	HX-254-F0330362C	
		240/1	15.0	3	HX-254-F0330362J	
		208/3★	10.0	3	HX-254-F0330362D	
		480/3▲	4.3	3	HX-254-F0330362U	
		600/3▲	3.5	3	HX-254-F0330362Z	
	4.4	240/1	18.3	3	HX-254-F0330442J	
		208/3★	12.2	3	HX-254-F0330442D	
		480/3★	5.3	3	HX-254-F0330442U	
		600/3▲	4.3	3	HX-254-F0330442Z	
	6.5	240/1★	27.1	4	HX-254-F0340652J	
		208/3★	18.0	4	HX-254-F0340652D	
		480/3▲	7.8	4	HX-254-F0340652U	
		600/3▲	6.3	4	HX-254-F0340652Z	
	7.5	240/1★	31.3	4	HX-254-F0340752J	
		208/3★	20.8	4	HX-254-F0340752D	
		480/3▲	9.0	4	HX-254-F0340752U	
600/3▲		7.2	4	HX-254-F0340752Z		
9.5	240/1★	39.6	4	HX-254-F0340852J		
	208/3★	26.4	4	HX-254-F0340962D		
	480/3▲	11.4	4	HX-254-F0340952U		
	600/3▲	9.1	4	HX-254-F0340952Z		

★Magnetic contactor required.

▲Magnetic contactor and control transformer required.

These accessories may be field mounted. For factory mounting, see Electrical Package Options on page 19.

(2) AS = Assembly Stock, C = Custom. Assembly Stock heaters ordered with custom options are subject to longer delivery.

Other voltages available. Consult factory.

# 254 SERIES



American Bureau of Shipping

## Heater Listing

Class I, Divisions 1 and 2, Groups B, C and D  
Class I, Zones 1 and 2, Group IIC

Ignition Temperature Code °F (°C)	KW	Volts/Phase	Heater Amps	Unit Size	Catalog Number	Availability Code (2)
T3A 356 (180)	0.5	120/1	4.2	1	HX-254-F0610052B	AS
		208/1	2.4	1	HX-254-F0610052C	
		240/1	2.1	1	HX-254-F0610052J	
	1.4	120/1	11.7	2	HX-254-F0620142B	
		208/1	6.7	2	HX-254-F0620142C	
		240/1	5.8	2	HX-254-F0620142J	
	2.3	120/1	19.2	3	HX-254-F0630232B	
		208/1	11.1	3	HX-254-F0630232C	
		240/1	9.6	3	HX-254-F0630232J	
		208/3*	6.4	3	HX-254-F0630232D	
		480/3▲	2.8	3	HX-254-F0630232U	
	3.2	600/3▲	2.2	3	HX-254-F0630232Z	
		208/1	15.4	4	HX-254-F0640322C	
		240/1	13.3	4	HX-254-F0640322J	
		208/3*	8.9	4	HX-254-F0640322D	
		480/3▲	3.8	4	HX-254-F0640322U	
	5	600/3▲	3.1	4	HX-254-F0640322Z	
		240/1	20.8	4	HX-254-F0640502J	
		208/3*	13.9	4	HX-254-F0640502D	
		480/3▲	6.0	4	HX-254-F0640502U	
			600/3▲	4.8	4	

Class I, Divisions 1 and 2, Groups B, C and D  
Class II, Divisions 1 and 2, Groups E, F and G

Ignition Temperature Code °F (°C)	KW	Volts/Phase	Heater Amps	Unit Size	Catalog Number	Availability Code (2)
T3C 320 (160)	0.5	120/1	4.2	1	HX-254-F0810054B	AS
		208/1	2.4	1	HX-254-F0810054C	
		240/1	2.1	1	HX-254-F0810054J	
	1	120/1	8.3	2	HX-254-F0820104B	
		208/1	4.8	2	HX-254-F0820104C	
		240/1	4.2	2	HX-254-F0820104J	
	1.7	120/1	14.2	3	HX-254-F0830174B	
		208/1	8.2	3	HX-254-F0830174C	
		240/1	7.1	3	HX-254-F0830174J	
		480/3▲	2.0	3	HX-254-F0830174U	
		600▲	1.6	3	HX-254-F0830174Z	
	3.2	208/1	15.4	4	HX-254-F0840324C	
		240/1	13.3	4	HX-254-F0840324J	
		208/3*	8.9	4	HX-254-F0840324D	
		480/3▲	3.8	4	HX-254-F0840324U	
		600/3▲	3.1	4	HX-254-F0840324U	

\*Magnetic contactor required.

▲Magnetic contactor and control transformer required.

These accessories may be field mounted. For factory mounting, see Electrical Package Options on page 19.

(2) AS = Assembly Stock, C = Custom. Assembly Stock heaters ordered with custom options are subject to longer delivery.

Other voltages available. Consult factory.



Phone: 314-333-5500  
www.heatrex.com