

236 Series UNIT HEATER



American
Bureau of
Shipping



Class I, Divisions 1 and 2, Group D
Class I, Zones 1 and 2, Group IIA

Heatrex's 236 Series explosion-proof unit heater is designed with both size and economy in mind.

Applications

- Chemical Storage/ Handling Areas
- Compressor Stations
- Marine and Offshore
- Oil Platforms and Refineries
- Sewage/Wastewater Treatment Plants
- Spray Booths

- **Compact Size:** This small design is only 13 inches wide, which makes it ideal for applications where limited space is available.
- **Low Cost:** The design offers the most economical solution for heating small Class I, Group D hazardous areas. It is a cost effective alternative to the use of explosion-proof convection heaters.
- **Redundant Overtemperature Protection:** Primary and secondary automatic reset thermal cutouts for additional safety.
- **Stainless Steel Construction:** Provides superior corrosion resistant protection. Optional Dirty Duty construction adds polyester powder coating to all aluminum parts for use in corrosive applications.

Standard Construction Features

Heating Elements – Industrial grade, Type 304 stainless steel finned tubular heating elements are manufactured by Heatrex.

Terminal Enclosure – A NEMA 7, 9 cast aluminum enclosure with a threaded bottom cover permits easy access to the built-in controls from underneath the heater.

Housing – Round, 16-gauge stainless steel shroud.

Grilles – An adjustable stainless steel louvered outlet grille directs airflow 45° up or down and a heavy gauge stainless steel rear grille protects against accidental contact with the fan blade.

Stainless Steel Swivel Mounting Bracket – Supplied as standard with all 236 Series explosion-proof unit heaters. This multi-purpose bracket can be used for either wall or ceiling mounting.

Built-In Controls – Include primary and secondary automatic reset overtemperature cutouts, controlling contactor, and a time delay relay which keeps the fan running to cool the heating elements after they have been de-energized.

Fan Motor Assembly – Consists of a 120-volt, 1-phase 60 hertz motor fitted with an aluminum fan blade. The totally enclosed motor is UL Listed for Class I, Group D applications and includes permanently lubricated ball bearings and built-in thermal overload protection. The motor is factory wired into the enclosure to reduce field wiring, but requires a separate 120-volt power supply.



Phone: 314-333-5500
www.heatrex.com

236 Series UNIT HEATER

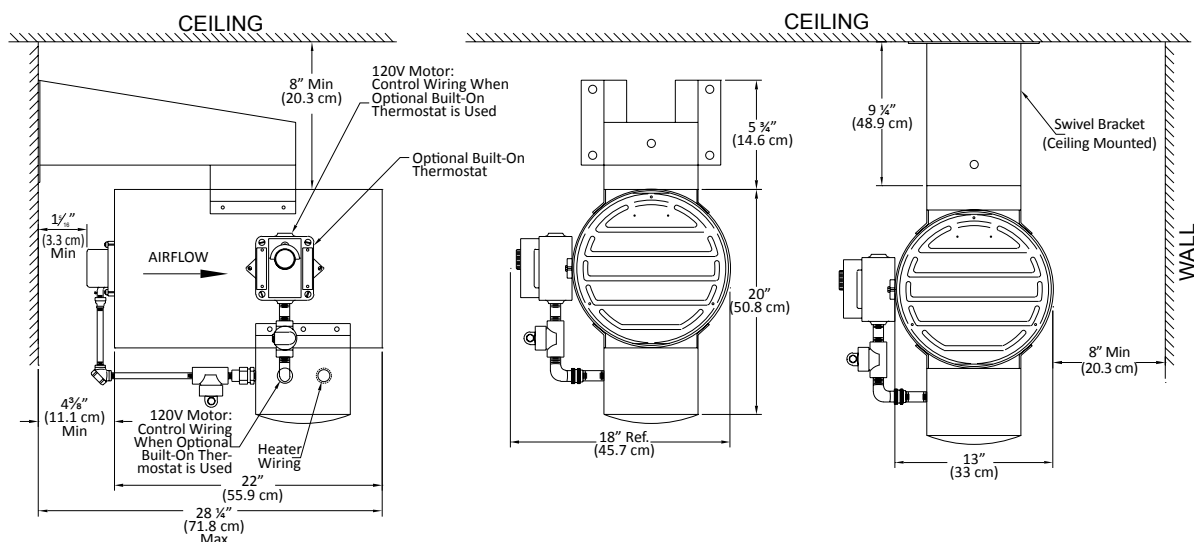
Custom Options

Code	Option	Description	Availability Code (2)
C	Dirty Duty Corrosion Resistant Construction	Includes polyester powder coated fan blade, wiring conduit and fittings, NEMA 4X, 7, 9 enclosure.	C
CM	Marine Duty Construction	Dirty Duty Construction with manual reset thermal cutout. Meets U.S. Coast Guard requirements per 46CFR-111.87 and is ABS Approved	C
M	Manual Reset Cutout	Can be specified to replace secondary automatic cutout.	C
T	Adjustable Thermostat	Factory installed and prewired to the control enclosure. Thermostat is adjustable from 50° to 90°F (10° to 32°C) range.	C

(2) AS = Assembly Stock, C = Custom Assembly Stock heaters ordered with custom options are subject to longer delivery.

Dimensions, Airflows and Weights

KW		3	5	7	10	12
Ignition Temperature Code		T3	T2C	T2	T1	T1
Approximate Air Temperature Rise °F (°C)		9 (5)	15 (8)	22 (12)	31 (17)	37 (21)
Airflow Characteristics	Air Volume CFM (cubic meters/hr)	1050 (1784)	1050 (1784)	1050 (1784)	1050 (1784)	1050 (1784)
	Air Throw Feet (m)	25 (8)	25 (8)	25 (8)	25 (8)	25 (8)
	Outlet Velocity FPM (meters/min)	1140 (348)	1140 (348)	1140 (348)	1140 (348)	1140 (348)
Motor/Fan	RPM	1725	1725	1725	1725	1725
	HP	1/6	1/6	1/6	1/6	1/6
	Fan Blade Dia. Inch (cm)	12 (31)				
Weight	Net Lbs (kgs)	96 (44)				
	Shipping Lbs (kgs)	110 (50)				



Standard Wall and Ceiling Installation with Swivel Mounting Bracket



Phone: 314-333-5500
www.heatrex.com

236 Series UNIT HEATER

Class I, Divisions 1 and 2, Group D
Class I, Zones 1 and 2, Group IIA

Heater Listing

Ignition Temperature Code °F (°C)	KW	Volts	Phase	Heater Amps (1)	Catalog Number	Availability Code (2)
T3 392 (200)	3	208	1	14.5	HX-236-F01T-0037C-7300	C
		240	1	12.5	HX-236-F01T-0037J-7301	C
		480	1	6.3	HX-236-F01T-0037T-7302	C
		208	3	8.4	HX-236-F01T-0037D-7303	C
		240	3	7.3	HX-236-F01T-0037K-7304	C
		480	3	3.7	HX-236-F01T-0037U-7305	C
		600	3	2.9	HX-236-F01T-0037Z-7306	C
T2C 446 (230)	5	208	1	24.1	HX-236-F01T-0055C-7307	C
		240	1	20.9	HX-236-F01T-0055J-7308	C
		480	1	10.5	HX-236-F01T-0055T-7309	C
		208	3	13.9	HX-236-F01T-0055D-7310	C
		240	3	12.1	HX-236-F01T-0055K-7311	C
		480	3	8.1	HX-236-F01T-0055U-7312	C
		600	3	4.9	HX-236-F01T-0055Z-7313	C
T2 572 (300)	7	208	1	33.7	HX-236-F01T-0072C-7314	C
		240	1	29.2	HX-236-F01T-0072J-7315	C
		480	1	14.6	HX-236-F01T-0072T-7316	C
		208	3	19.5	HX-236-F01T-0072D-7317	C
		240	3	16.9	HX-236-F01T-0072K-7318	C
		480	3	8.5	HX-236-F01T-0072U-7319	C
		600	3	6.8	HX-236-F01T-0072Z-7320	C
T1 842 (450)	10	240	1	41.7	HX-236-F01T-0101J-7321	C
		480	1	20.9	HX-236-F01T-0101T-7322	C
		208	3	27.8	HX-236-F01T-0101D-7323	C
		240	3	24.1	HX-236-F01T-0101K-7324	C
		480	3	12.1	HX-236-F01T-0101U-7325	C
		600	3	9.7	HX-236-F01T-0101Z-7326	C
T1 842 (450)	12	480	1	25.0	HX-236-F01T-0121T-7327	C
		240	3	29.0	HX-236-F01T-0121K-7328	C
		480	3	14.5	HX-236-F01T-0121U-7329	C
		600	3	11.6	HX-236-F01T-0121Z-7330	C



American Bureau of Shipping

(1) The amps shown are for the heating elements only. The 120V, 1 Ph 60 Hz motor draws 3.8 amps and requires a separate 120V power supply.

(2) Availability Code: C = Custom

Accessory Remote Thermostat

Catalog Number	Switch Type	Description	Type	Ratings	Temp. Range °F (°C)	Availability Code
1007002	Bimetal	Class 1, Div. 1, Groups C & D Class II, Div. 1, Groups E, F, & G	SPDT	125-277V, 22A	50-90 (10-32)	AS
1024754	Bulb and Capillary with Internal Set Point Adjustment	Class 1, Div. 1, Groups B, C & D Class II, Div. 1, Groups E, F, & G	SPDT	120-240V, 25A 277V, 22A	40-120 (5-49)	
1025396	Bulb and Capillary with Internal Set Point Adjustment	Corrosion-Resistant Class 1, Div. 1, Groups B, C, & D Class II, Div. 1, Groups E, F & G	SPST	120-240V, 25A 277V, 22A	40-120 (5-49)	