



American
Bureau of
Shipping

Class I, Divisions 1 and 2, Group D
Class I, Zones 1 and 2, Group IIA

HEATREX's 236 Series explosion-proof unit heater is designed with both size and economy in mind. Advantages and unique features include:

- **Compact Size:** This small design is only 13 inches wide, which makes it ideal for applications where limited space is available.
- **Low Cost:** The design offers the most economical solution for heating small Class I, Group D hazardous areas. It is a cost effective alternative to the use of explosion-proof convection heaters.
- **Redundant Overtemperature Protection:** Primary and secondary automatic reset thermal cutouts for additional safety.
- **Stainless Steel Construction:** Provides superior corrosion resistant protection. Optional Dirty Duty construction adds polyester powder coating to all aluminum parts for use in corrosive applications.
- **Optional Marine Duty Construction:** Ideal for ship-board use where size, weight and corrosion resistant construction are critical.

Applications

- Chemical Storage/ Handling Areas
- Compressor Stations
- Marine and Offshore
- Oil Platforms and Refineries
- Sewage/Wastewater Treatment Plants
- Spray Booths

Standard Construction Features

Heating Elements – Industrial grade, Type 304 stainless steel finned tubular heating elements are manufactured by HEATREX.

Terminal Enclosure – A NEMA 7, 9 cast aluminum enclosure with a threaded bottom cover permits easy access to the built-in controls from underneath the heater.

Housing – Round, 16-gauge stainless steel shroud.

Grilles – An adjustable stainless steel louvered outlet grille directs airflow 45° up or down and a heavy gauge stainless steel rear grille protects against accidental contact with the fan blade.

Stainless Steel Swivel Mounting Bracket – Supplied as standard with all 236 Series explosion-proof unit heaters. This multi-purpose bracket can be used for either wall or ceiling mounting.

Built-In Controls – Include primary and secondary automatic reset overtemperature cutouts, controlling contactor, and a time delay relay which keeps the fan running to cool the heating elements after they have been de-energized.

Fan Motor Assembly – Consists of a 120-volt, 1-phase 60 hertz motor fitted with an aluminum fan blade. The totally enclosed motor is UL Listed for Class I, Group D applications and includes permanently lubricated ball bearings and built-in thermal overload protection. The motor is factory wired into the enclosure to reduce field wiring, but requires a separate 120-volt power supply.



Phone: 314-333-5500
www.heatrex.com

236 SERIES UNIT HEATER

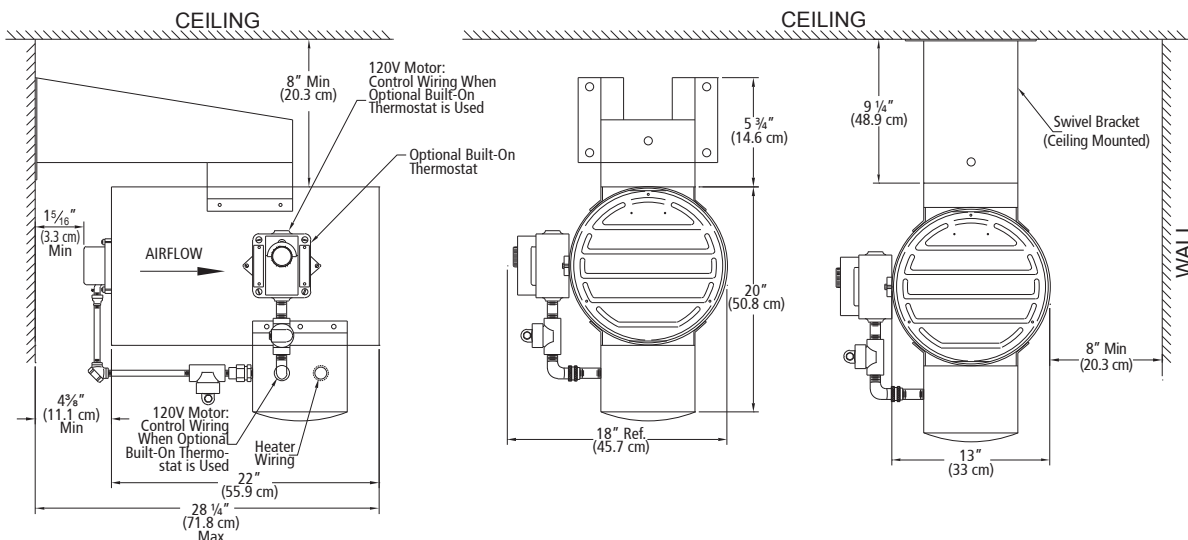
Custom Options

Code	Option	Description	Availability Code (2)
C	Dirty Duty Corrosion Resistant Construction	Includes polyester powder coated fan blade, wiring conduit and fittings, NEMA 4X, 7, 9 enclosure.	C
CM	Marine Duty Construction	Dirty Duty Construction with manual reset thermal cutout. Meets U.S. Coast Guard requirements per 46CFR-111.87 and is ABS Approved	C
M	Manual Reset Cutout	Can be specified to replace secondary automatic cutout.	C
T	Adjustable Thermostat	Factory installed and prewired to the control enclosure. Thermostat is adjustable from 50° to 90°F (10° to 32°C) range.	C

(2) AS = Assembly Stock, C = Custom Assembly Stock heaters ordered with custom options are subject to longer delivery.

Dimensions, Airflows and Weights

KW		3	5	7	10	12
Ignition Temperature Code		T3	T2C	T2	T1	T1
Approximate Air Temperature Rise °F (°C)		9 (5)	15 (8)	22 (12)	31 (17)	37 (21)
Airflow Characteristics	Air Volume CFM (cubic meters/hr)	1050 (1784)	1050 (1784)	1050 (1784)	1050 (1784)	1050 (1784)
	Air Throw Feet (m)	25 (8)	25 (8)	25 (8)	25 (8)	25 (8)
	Outlet Velocity FPM (meters/min)	1140 (348)	1140 (348)	1140 (348)	1140 (348)	1140 (348)
Motor/Fan	RPM	1725	1725	1725	1725	1725
	HP	1/6	1/6	1/6	1/6	1/6
	Fan Blade Dia. Inch (cm)	12 (31)				
Weight	Net Lbs (kgs)	96 (44)				
	Shipping Lbs (kgs)	110 (50)				



Standard Wall and Ceiling Installation with Swivel Mounting Bracket

Remote Room Thermostat – Use catalog number 1007002. See page 98.



Phone: 314-333-5500
www.heatrex.com

Class I, Divisions 1 and 2, Group D
Class I, Zones 1 and 2, Group IIA

Heater Listing

Ignition Temperature Code °F (°C)	KW	Volts	Phase	Heater Amps (1)	Catalog Number	Availability Code (2)
T3 392 (200)	3	208	1	14.5	HX-236-F01T-0037C-7000	C
		240	1	12.5	HX-236-F01T-0037J-7001	C
		480	1	6.3	HX-236-F01T-0037T-7002	C
		208	3	8.4	HX-236-F01T-0037D-7003	C
		240	3	7.3	HX-236-F01T-0037K-7004	C
		480	3	3.7	HX-236-F01T-0037U-7005	C
		600	3	2.9	HX-236-F01T-0037Z-7006	C
T2C 446 (230)	5	208	1	24.1	HX-236-F01T-0055C-7007	C
		240	1	20.9	HX-236-F01T-0055J-7008	C
		480	1	10.5	HX-236-F01T-0055T-7009	C
		208	3	13.9	HX-236-F01T-0055D-7010	C
		240	3	12.1	HX-236-F01T-0055K-7011	C
		480	3	8.1	HX-236-F01T-0055U-7012	C
T2 572 (300)	7	208	1	33.7	HX-236-F01T-0072C-7021	C
		240	1	29.2	HX-236-F01T-0072J-7022	C
		480	1	14.6	HX-236-F01T-0072T-7023	C
		208	3	19.5	HX-236-F01T-0072D-7024	C
		240	3	16.9	HX-236-F01T-0072K-7025	C
		480	3	8.5	HX-236-F01T-0072U-7026	C
		600	3	6.8	HX-236-F01T-0072Z-7027	C
T1 842 (450)	10	240	1	41.7	HX-236-F01T-0101J-7035	C
		480	1	20.9	HX-236-F01T-0101T-7036	C
		208	3	27.8	HX-236-F01T-0101D-7037	C
		240	3	24.1	HX-236-F01T-0101K-7038	C
		480	3	12.1	HX-236-F01T-0101U-7039	C
T1 842 (450)	12	600	3	9.7	HX-236-F01T-0101Z-7040	C
		480	1	25.0	HX-236-F01T-0121T-7041	C
		240	3	29.0	HX-236-F01T-0121K-7042	C
		480	3	14.5	HX-236-F01T-0121U-7043	C
		600	3	11.6	HX-236-F01T-0121Z-7044	C



American Bureau of Shipping

(1) The amps shown are for the heating elements only. The 120V, 1 Ph 60 Hz motor draws 3.8 amps and requires a separate 120V power supply.
(2) Availability Code: C = Custom

