



425 Hanley Industrial Court, St. Louis, MO 63144
 Phone: (314) 333-5500, Fax: (314) 644-5332
 www.heatrex.com

INSTALLATION INSTRUCTIONS

“HX-908” Series

THE INSTALLATION MUST BE EXECUTED
 BY A QUALIFIED TECHNICIAN



CAUTION

NOT FOR RESIDENTIAL USE IN THE UNITED STATES

IMPORTANT
 Minimum clearance from the front and the top of the heater is 12 in. (305 mm).

INSTALLATION

- 1- Remove front cover to give access to mounting holes and junction box cover (both ends).
- 2- Remove junction box cover. Make connections according to local and national codes.
- 3- Attach heater to the wall by using 1/4 in. (6.4 mm) knockouts located on the back of the heater.
- 4- Place all covers back on heater before testing.

INTERCONNECTION

The connection boxes and the wiring channel are approved for interconnection of baseboard heaters and components which are on the same heating branch circuit. A grounding wire must join all heaters to keep ground continuity.

BUILT-IN THERMOSTAT SETTING (option)

The built-in thermostat can be set with a small flat screwdriver through the upper bar grille.

To set the thermostat at the desired temperature :

- Set thermostat at maximum temperature (turn clockwise).
- When the desired temperature is reached, turn the thermostat counter-clockwise slowly until you hear a «click».
- The thermostat will keep the room at this temperature.

ATTENTION

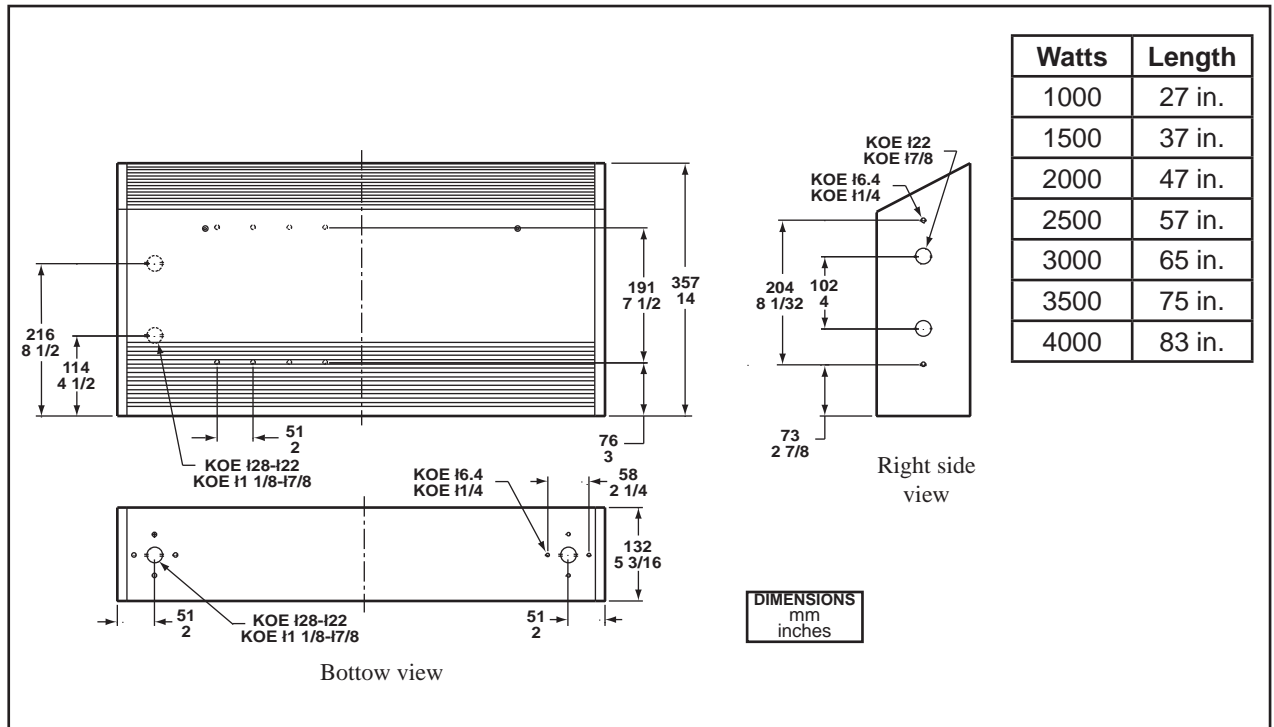
Basic precautions should always be followed to reduce the risk of fire, electric shock, and injury to persons.

- Read all instructions before using this heater.
- This heater is hot when in use. To avoid burns, do not let bare skin touch hot surfaces. Keep combustible materials, such as furniture, pillows, bedding, papers, clothes, and curtains at least 12 in. (305 mm) from the front and the top of the heater.
- Do not use outdoors.
- Do not insert or allow foreign objects to enter any ventilation or exhaust opening as this may cause an electric shock or fire, or damage the heater.
- Do not block air intakes or exhaust in any manner.
- Heater contains arcing and sparking parts. Do not use it in areas where gasoline, paint, or flammable liquids are used or stored.
- Use this heater only as described in this manual. Any other use not recommended by the manufacturer may cause fire, electric shock, or injury to persons.

MAINTENANCE

Once a year, remove the front panel and use a vacuum cleaner to remove the dust accumulation inside the heater. Cleaning should be done while the heater is disconnected from the supply circuit.

Any other servicing should be performed by a qualified technician.



KEEP THIS INSTRUCTION PAMPHLET FOR THE USER - INS462-200310-03

