



425 Hanley Industrial Court, St. Louis, MO 63144  
 Phone: (314) 333-5500, Fax: (314) 644-5332  
 www.heatrex.com

## INSTALLATION INSTRUCTIONS “HX-911” Series

THE INSTALLATION MUST BE EXECUTED  
 BY A QUALIFIED TECHNICIAN



### CAUTION

NOT FOR RESIDENTIAL USE IN THE UNITED STATES

**IMPORTANT**  
 Minimum clearance from the front and the top of the heater is 12 in. (305 mm).

### INSTALLATION

- 1- Remove heater front panel and upper front grille for heater with front hot air exit to give access to junction box covers and fastening holes.
- 2- Remove the appropriate knockout and run the electrical wiring through it.
- 3- Attach heater to the wall by using the 1/4 in. (6.4 mm) knockouts and the angle bracket.
- 4- Remove the junction box covers. Make connections according to local and national codes. See wiring diagrams.
- 5- Replace all covers before energizing.

### HEATER INTERCONNECTION

The connection boxes and the wiring channel of this series heater and accessories (corners, control box) are approved for interconnection of heaters and components which are on the same heating branch circuit. Grounding wire must join the ground lugs of all heaters.

For all other options of this series, use «BX» cable or «EMT» tubing.

### BUILT-IN THERMOSTAT SETTING (option)

The built-in thermostat can be set with a small flat screwdriver through the upper grille.

### To set the thermostat at the desired temperature:

- Set thermostat at maximum temperature (turn clockwise).
- When the desired temperature is reached, turn the thermostat counter-clockwise slowly until you hear a «click».
- The thermostat will keep the room at this temperature.

### CONTROL OPTIONS

See instructions included with option.

### ACCESSORIES

See instructions included with accessories.

### EMPTY CABINET INSTALLATION

Empty cabinets are installed the same way as complete heaters.

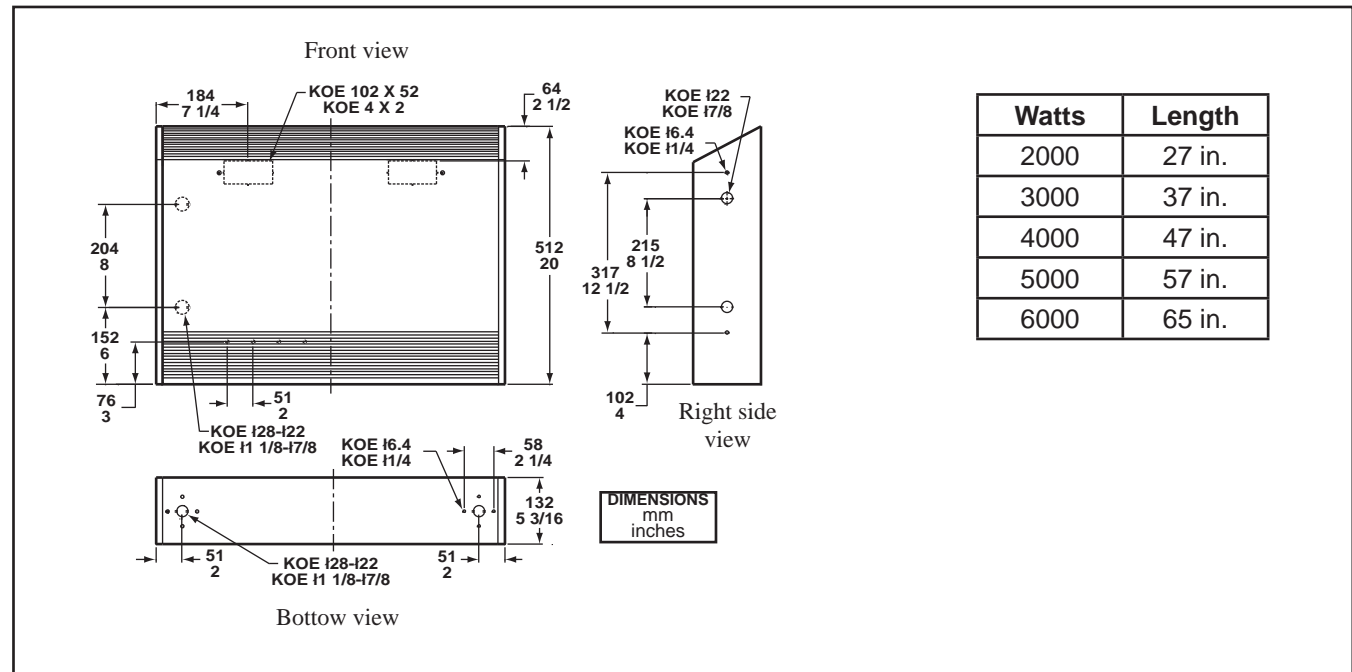
### MAINTENANCE

Once a year, remove the front panel and use a vacuum cleaner to remove the dust accumulation inside the heater. Cleaning should be done while the heater is disconnected from the supply circuit. Any other servicing should be performed by a qualified technician.

### ATTENTION

Basic precautions should always be followed to reduce the risk of fire, electric shock, and injury to persons.

- Read all instructions before using this heater.
- This heater is hot when in use. To avoid burns, do not let bare skin touch hot surfaces. Keep combustible materials, such as furniture, pillows, bedding, papers, clothes, and curtains at least 12 in. (305 mm) from the front and the top of the heater.
- Do not use outdoors.
- Do not insert or allow foreign objects to enter any ventilation or exhaust opening as this may cause an electric shock or fire, or damage the heater.
- To prevent a possible fire, do not block air intakes or exhaust in any manner.
- Heater contains arcing and sparking parts. Do not use it in areas where gasoline, paint, or flammable liquids are used or stored.
- Use this heater only as described in this manual. Any other use not recommended by the manufacturer may cause fire, electric shock, or injury to persons.



KEEP THIS INSTRUCTION PAMPHLET FOR THE USER INS463-200311-03

