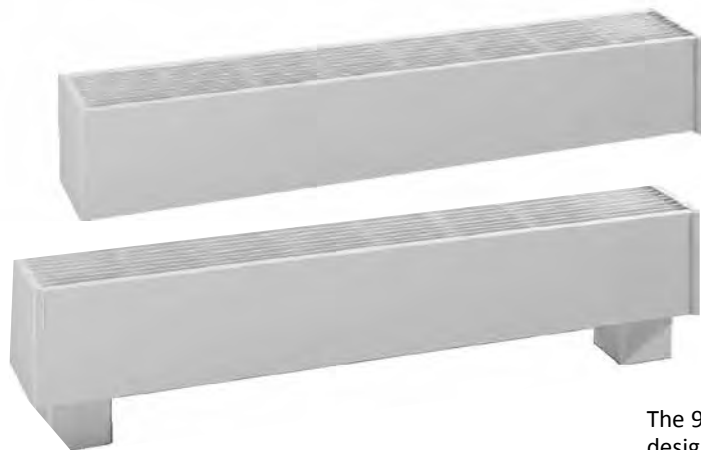


# 916 SERIES

## High Watt Density Draft Barrier



The 916 Series high watt density draft barrier heaters are designed to fit under large windows to prevent cold down drafts. The heater provides total or supplemental heating for a variety of applications.

- **Installation Options:** Units may be wall mounted or installed on the floor using pedestal kits. Custom lengths, blank sections and inside or outside corners are available for wall-to-wall installations. Units can be ordered with smooth painted finish when the back of the heater is visible.
- **Choice of Colors:** Heaters can be matched to any décor. White or almond is standard and a wide range of optional colors and custom finishes, including anodized aluminum, are also available.

### Applications

- Commercial Buildings
- Entryways
- Hallways
- Hospitals
- Shopping Centers

## Standard Construction Features

**Heating Elements** – Two stainless steel elements with aluminum fins float on high temperature nylon bushings for quiet operation.

**Housing** – Cabinet is constructed of 18-gauge steel with a 14-gauge aluminum front and top covers. The unit has a polyester powder paint finish in white or almond. End caps are provided on all units.

**Inlet/Outlet Grilles** – The fresh air inlet is located on the bottom of the unit. The top outlet grille has openings less than 0.25 inches to discourage tampering with the heating element (pencil-proof).

**Built-in Controls** – Linear limit, automatic reset thermal cutout.

**Electrical Connection** – Each heater has a junction box located at the right end and a built-in full length wireway. Separate low voltage wireway is available.

**Installation Requirements** – Minimum installation height above the floor is three inches. Field or factory-installed low voltage relay and thermostat kits fit into the right-hand junction box only. These units are not for residential use in the United States.

# 916 SERIES

## High Watt Density Draft Barrier Heater

DRAFT BARRIERS

### Factory Built-in Options

Code	Description
D1	Disconnect Switch, Three-pole, 600V, 40 Amp
D3	Disconnect Switch, Double-pole, 277V, 20 Amp
F1	24V Wireway
L	Custom Length
M1	High Altitude Automatic Cutout
R1	24V Relay, 240V, 22 Amp; 277V, 19 Amp; 600V, 10 Amp
R2	24V Relay with Transformer, 240V, 22 Amp; 277V, 19 Amp
R6	Pneumatic Relay, 480V, 20 Amp
R7	Triac Proportional Relay 277V Max., 2500W Max.
S	Smooth painted finish on heater back
T1	Tamperproof Thermostat, Single-pole, 240V, 25 Amp; 600V, 10 Amp
T2	Tamperproof Thermostat, Double-pole, 240V, 25 Amp; 600V, 10 Amp
T5	Adjustable Thermostat, Single-pole 277V, 25 Amp; 600V, 10 Amp
T6	Adjustable Thermostat, Double-pole 277V, 25 Amp; 600V, 10 Amp

### Field-Installed Options

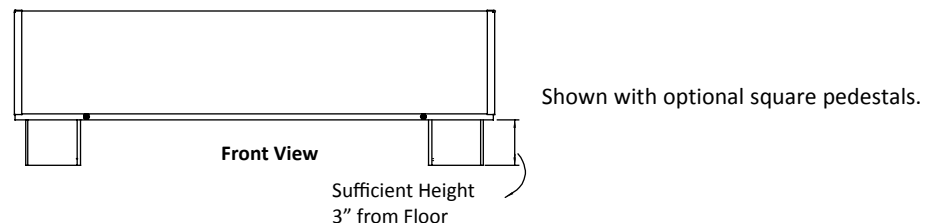
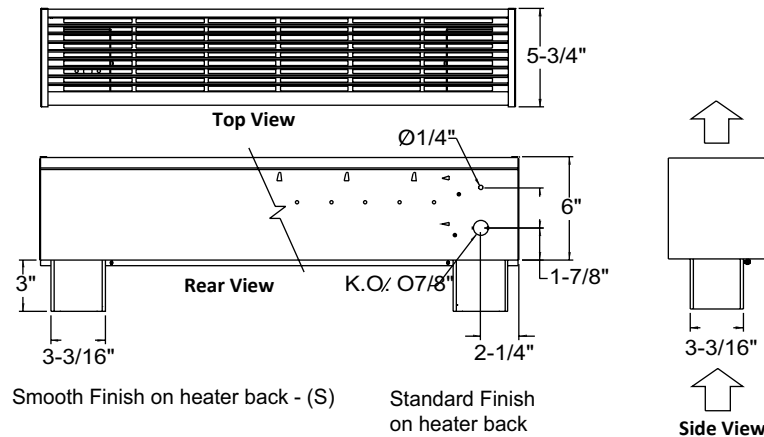
(shipped loose for field installation into heater)

Catalog Number	Description
916-166753	Inside Corner
916-166754	Outside Corner
916-166756	Square Pedestal Kit, 3", Qty 2
916-166757	Splice Plate 2" Long
916-166758	Contoured Splice Plate for Code S (smooth painted finish on heater back) and/or Heater with Pedestals
916-166759	24V Relay Kit, 240V, 22 Amp; 277V, 19 Amp
916-166760	24V Relay Kit with Transformer, 208V, 22 Amp
916-166761	24V Relay Kit with Transformer, 240V, 22 Amp
916-166762	24V Relay Kit with Transformer, 277V 19 Amp
916B-XXX	Blank Section (specify length in inches-XXX)
916-264350	Adjustable, Single-pole Thermostat Kit, 240V, 25 Amp; 600V, 10 Amp with off position
916-264351	Adjustable, Double-pole Thermostat Kit, 240V, 25 Amp; 600V, 10 Amp with off position

Standard colors - Add W for white finish or A for almond finish to the end of part number.

Special or custom colors - See inside back cover for color codes to be added to end of part number.

Remote Room Thermostat – See page 99



# 916 SERIES

## High Watt Density Draft Barrier

HX-916U

How to Order: Model + Heater Code with color code + Options  
(example HX-916U00875CW-1500-T1)

Length In. (mm)	Density		Watts	Heater Code						Watts at 240/208V	Heater Code		Weight Lbs (kg)
	W/Ft	W/m		208V (1 Ph)	Amps	277V (1 Ph)	Amps	480V (1 Ph)	Amps		240/208V (1 Ph)	Amps	
23.6 (600)	175	575	375	00375C‡-600	1.8	00375N‡-600	1.4	—	—	375/281	00375V‡-600	1.6/1.4	10.7 (4.8)
	250	820	500	00500C‡-600	2.4	00500N‡-600	1.8	—	—	500/375	00500V‡-600	2.1/1.8	
	355	1165	750	00750C‡	3.6	00750N‡	2.7	—	—	750/563	00500V‡	3.1/2.7	
	500	1640	1000	01000C‡-600	4.8	01000N‡-600	3.6	01000T‡-600	2.1	1000/750	01000V‡-600	4.2/3.6	
35.4 (900)	175	575	500	00500C‡-900	2.4	00500N‡-900	1.8	00500T‡-900	1.0	500/375	00500V‡-900	2.1/1.8	14.1 (6.4)
	250	820	750	00750C‡-900	3.6	00750N‡-900	2.7	00750T‡-900	1.6	750/563	00750V‡-900	3.1/2.7	
	355	1165	1000	01000C‡	4.8	01000N‡	3.6	01000T‡	2.1	1000/751	01000V‡	4.2/3.6	
	500	1640	1500	01500C‡-900	7.2	01500N‡-900	5.4	01500T‡-900	3.1	1500/1125	01500V‡-900	6.3/5.4	
47.3 (1200)	175	575	700	00700C‡-1200	3.4	00700N‡-1200	2.5	00700T‡-1200	1.5	700/525	00700V‡-1200	2.9/2.5	17.6 (8.0)
	250	820	1000	01000C‡-1200	4.8	01000N‡-1200	3.6	01000T‡-1200	2.1	1000/750	01000V‡-1200	4.2/3.6	
	355	1165	1400	01400C‡	6.7	01400N‡	5.1	01400T‡	2.9	1400/1052	01400V‡	5.8/5.1	
	500	1640	2000	02000C‡-1200	9.6	02000N‡-1200	7.2	02000T‡-1200	4.2	2000/1500	02000V‡-1200	8.3/7.2	
59.1 (1500)	175	575	875	00875C‡-1500	4.2	00875N‡-1500	3.2	00875T‡-1500	1.8	875/656	00875V‡-1500	3.6/3.2	21.1 (9.6)
	250	820	1250	01250C‡-1500	6.0	01250N‡-1500	4.5	01250T‡-1500	2.6	1250/938	01250V‡-1500	5.2/4.5	
	355	1165	1750	01750C‡	8.4	01750N‡	6.3	01750T‡	3.6	1750/1314	01750V‡	7.3/6.3	
	500	1640	2500	02500C‡-1500	12	02500N‡-1500	9.0	02500T‡-1500	5.2	2500/1875	02500V‡-1500	10.4/9.0	
70.9 (1800)	175	575	1050	01050C‡-1800	5.0	01050N‡-1800	3.8	01050T‡-1800	2.2	1050/788	01050V‡-1800	4.4/3.8	24.6 (11.1)
	250	820	1500	01500C‡-1800	7.2	01500N‡-1800	5.4	01500T‡-1800	3.1	1500/1125	01500V‡-1800	6.3/5.4	
	355	1165	2100	02100C‡	10.1	02100N‡	7.6	02100T‡	4.4	2100/1577	02100V‡	8.8/7.6	
	500	1640	3000	03000C‡-1800	14.4	03000N‡-1800	10.8	03000T‡-1800	6.3	3000/2250	03000V‡-1800	12.5/10.8	
82.7 (2100)	175	575	1225	01225C‡-2100	5.9	01225N‡-2100	4.4	01225T‡-2100	2.6	1225/919	01225V‡-2100	5.1/4.4	28.0 (12.7)
	250	820	1750	01750C‡-2100	8.4	01750N‡-2100	6.3	01750T‡-2100	3.6	1750/1313	01750V‡-2100	7.3/6.3	
	355	1165	2450	02450C‡	11.8	02450N‡	8.8	02450T‡	5.1	2450/1840	02450V‡	10.2/8.8	
	500	1640	3500	03500C‡-2100	16.8	03500N‡-2100	12.6	03500T‡-2100	7.3	3500/2625	03500V‡-2100	14.6/12.6	
94.5 (2400)	175	575	1400	01400C‡-2400	6.7	01400N‡-2400	5.1	01400T‡-2400	2.9	1400/1050	01400V‡-2400	5.8/5.0	31.5 (14.3)
	250	820	2000	02000C‡-2400	9.6	02000N‡-2400	7.2	02000T‡-2400	4.2	2000/1500	02000V‡-2400	8.3/7.2	
	355	1165	2800	02800C‡	13.5	02800N‡	10.1	02800T‡	5.8	2800/2103	02800V‡	11.7/10.1	
	500	1640	4000	04000C‡-2400	19.2	04000N‡-2400	14.4	04000T‡-2400	8.3	4000/3000	04000V‡-2400	16.7/14.4	

Other voltages available, consult factory.

‡Standard colors - Add W for white finish or A for almond finish to the end of catalog number when ‡ is indicated.

Special or custom colors - See inside back cover for color codes to be added to end of catalog number where ‡ is indicated.