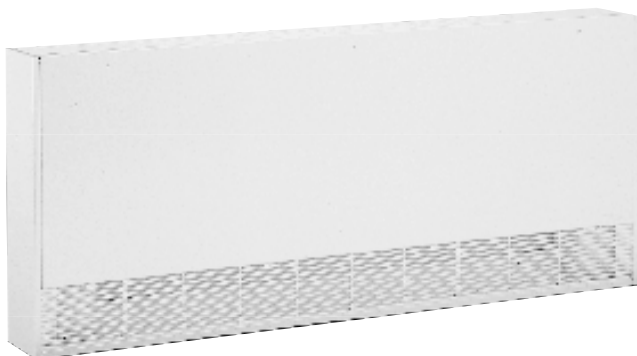


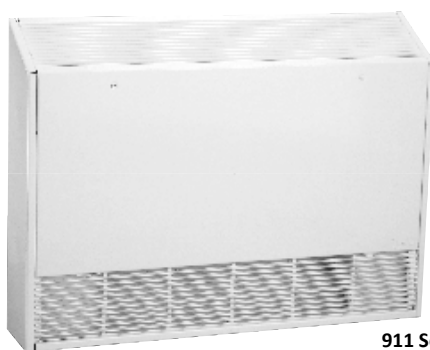
911/912 SERIES

Architectural Cabinet Convector

Architectural Sloped Top Cabinet Convector



912 Series



911 Series

The 911/912 Series convectors are designed to heat large commercial spaces. They provide large amounts of heat without the fan noise associated with unit heaters.

- **Installation Options:** Units may be mounted to the wall, flush on the floor or on pedestals. CAI units can be fully recessed when the front warm air outlet option is used. These units are not for residential use in the United States.
- **Added Safety:** The sloped-top cabinet on the 911 Series prevents objects from being set on top of the heater, which can restrict airflow and cause overheating.
- **Wall-to-Wall Installation:** A smooth painted finish back plate is available so that the unit can be mounted against glass walls.

Standard



Special Colors



Applications

- Classrooms
- Hallways
- Conference Rooms
- Lobbies

Standard Construction Features

Heating Elements – Stainless steel elements with aluminum fins float on high temperature nylon bushings for quiet operation.

Housing – Cabinet is constructed of 20-gauge steel with a 16-gauge steel front cover. The unit has an epoxy/polyester powder paint finish in white or almond. Mounting holes are

provided along the back of the cabinet for wall installation.

Inlet/Outlet Grilles – The fresh air inlet grille is located on the front of the unit. An extruded aluminum outlet grille discourages tampering with the heating elements.

Built-in Controls – Linear limit, automatic reset thermal cutout.

Rough In Dimensions – CAI only: Heater Length + 1" wide x 21" high x 6" deep.



Phone: 314-333-5500
www.heatrex.com

911/912 SERIES

Architectural Cabinet Convector

Architectural Sloped Top Cabinet Convector

Factory Built-in Options

Code	Description
D1	Disconnect Switch, Three-pole, 600V, 32 Amp
F	Front Air outlet (CAI Only)
R1	24V Relay, Single-pole, 240V, 22 Amp; 277V, 19 Amp
R2	24V Relay with Transformer, 240V, 22 Amp; 277V, 19 Amp
R3	24V Double-pole Relay, 240V, 25 Amp; 277V, 19 Amp
R4	240V Relay, Single-pole, 240V, 25 Amp
R5	240V Relay, Double-pole, 240V, 25 Amp
R6	Pneumatic Relay, 480V, 20 Amp
R7	Triac Proportional Relay, 277V Max., 2500W Max.
S	Smooth painted finish on heater back
T1	Tamperproof Thermostat, Single-pole, 240V, 30 Amp; 480V, 15 Amp
T2	Tamperproof Thermostat, Double-pole, 480V, 15 Amp
X1	240V Transformer - 50 VA
X2	24V Transformer - 50 VA

Remote Room Thermostat – See page 31.

Field-Installed Options

(shipped loose for field installation into heater)

Catalog Number	Description	
912-124546	CAI Corner (interior and exterior)	
911-124546	CASI inside corner	
911-218358	CASI outside corner	
912-124547	Universal Round Pedestal Kit	3 (76) High
912-124548	Sub Base Heater Length In. (mm)	27.2 (690)
912-124549		37.2 (944)
912-124550		47.2 (1198)
912-124551		57.2 (1452)
912-124552		65.2 (1655)
912-218283(1)	Empty Cabinet Length In. (mm)	27.2 (690)
912-218284(1)		37.2 (944)
912-218285(1)		47.2 (1198)
912-218286(1)		57.2 (1452)
912-218287(1)		65.2 (1655)
912-124553	Recessed Trim Kit Heater Length In. (mm)	27.2 (690)
912-124554		37.2 (944)
912-124555		47.2 (1198)
912-124556		57.2 (1452)
912-124557		65.2 (1655)
912-124561(1)	Control Box - 12"	12 (306)
912-124562	24V Relay Kit, Single-pole, 240V, 22 Amp; 277V, 19 Amp	
912-124563	24V Relay Kit, Double-pole, 240V, 25 Amp; 277V, 19 Amp	
912-124566	24V Relay Kit with Transformer, 208V, 22 Amp	
912-124567	24V Relay Kit with Transformer, 240V, 22 Amp	
912-124568	24V Relay Kit with Transformer, 277V, 19 Amp	
912-224767 (1)	Tamperproof Thermostat, Single-pole, 240V, 30 Amp; 480V, 15 Amp	
912-224768 (1)	Tamperproof Thermostat, Double-pole 480V, 15 Amp	

(1) Change 912 prefix to 911 for sloped top.

Standard colors - Add W for white finish or A for almond finish to the end of part number.

Special or custom colors - See inside back cover for color codes to be added to end of part number.

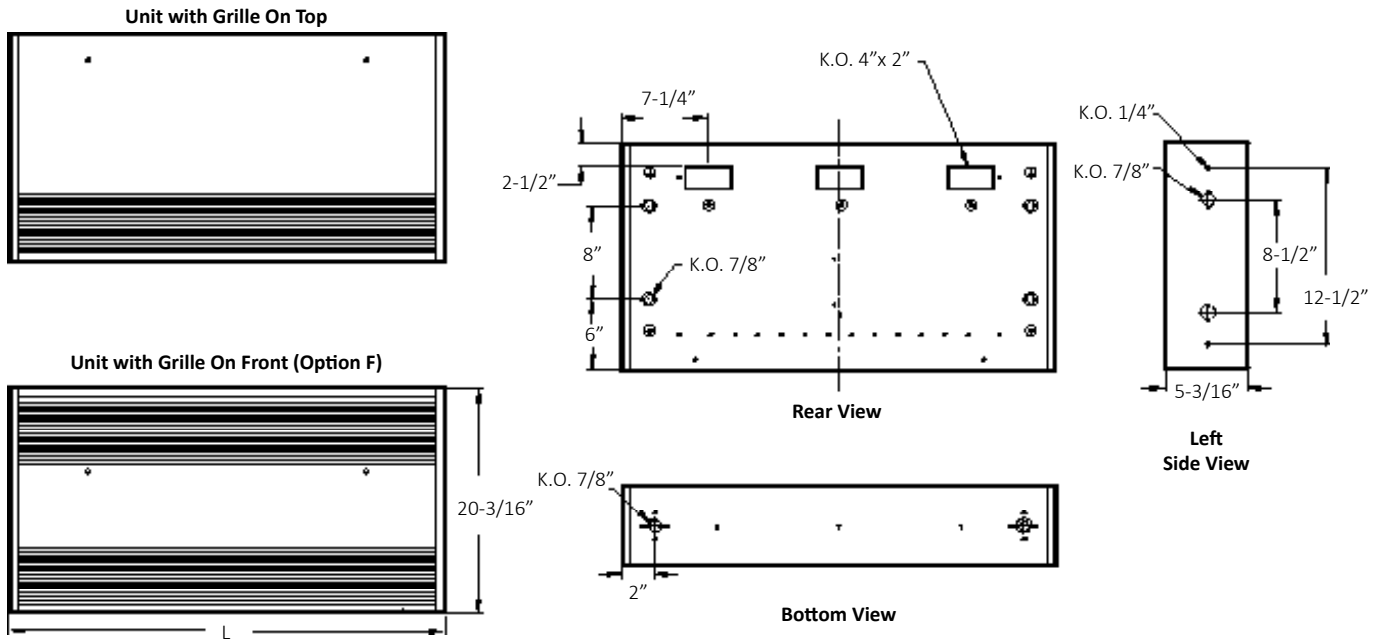
Empty cabinet sections can be cut to length in the field.



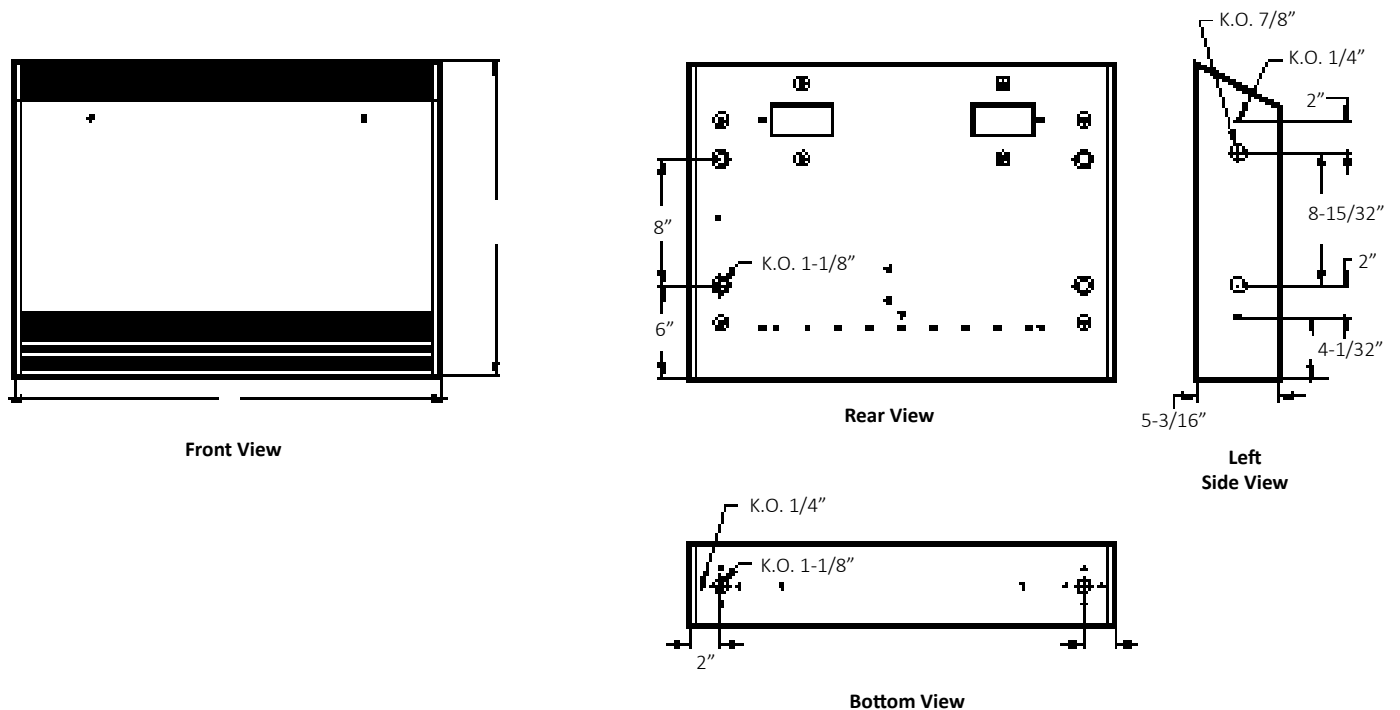
911/912 SERIES

Architectural Cabinet Convector

Architectural Sloped Top Cabinet Convector



912 Series



911/912 SERIES

Architectural Cabinet Convector

Architectural Sloped Top Cabinet Convector

HX-912U (Flat Top)

HX-911U (Sloped Top)

How to order: Model + Heater Code with color code + Options

(example: HX-912U03000CW-1198-T1)

Length In. (mm)	Density		Watts	Heater Code						Watts at 240/208V	Heater Code		Weight Lbs (kg)	
	W/Ft	W/m		208V (1 ph)	Amps	240V (1 ph)	Amps	277V (1 ph)	Amps		240/208V (1 ph)	Amps	CAI (Flat)	CASI (Sloped)
27.2 (690)	500	1640	1000	01000C‡-690	4.8	01000J‡-690	4.2	01000N‡-690	3.6	1000/750	01000V‡-690	4.2/3.6	37 (16.8)	37 (16.8)
	750	2450	1500	01500C‡-690	7.2	01500J‡-690	6.3	01500N‡-690	5.4	1500/1125	01500V‡-690	6.3/5.4		
	1000	3280	2000	02000C‡	9.6	02000J‡	8.3	02000N‡	7.2	2000/1500	02000V‡	8.3/7.2		
37.2 (944)	500	1640	1500	01500C‡-944	7.2	01500J‡-944	6.3	01500N‡-944	5.4	1500/1125	01500V‡-944	6.3/5.4	47 (21.3)	47 (21.3)
	750	2450	2250	02250C‡-944	10.8	02250J‡-944	9.4	02250N‡-944	8.1	2250/1690	02250V‡-944	9.4/8.1		
	1000	3280	3000	03000C‡	14.4	03000J‡	12.5	03000N‡	10.8	3000/2250	03000V‡	12.5/10.8		
47.2 (1198)	500	1640	2000	02000C‡-1198	9.6	02000J‡-1198	8.3	02000N‡-1198	7.2	2000/1500	02000V‡-1198	8.3/7.2	57 (25.9)	57 (25.9)
	750	2450	3000	03000C‡-1198	14.4	03000J‡-1198	12.5	03000N‡-1198	10.8	3000/2250	03000V‡-1198	12.5/10.8		
	1000	3280	4000	04000C‡	19.2	04000J‡	16.7	04000N‡	14.4	4000/3000	04000V‡	16.7/14.4		
57.2 (1452)	500	1640	2500	02500C‡-1452	12.0	02500J‡-1452	10.4	02500N‡-1452	9.0	2500/1875	02500V‡-1452	10.4/9.0	67 (30.4)	67 (30.4)
	750	2450	3750	03750C‡-1452	18.0	03750J‡-1452	15.6	03750N‡-1452	13.5	3750/2817	03750V‡-1452	15.6/13.5		
	1000	3280	5000	05000C‡	24.0	05000J‡	20.8	05000N‡	18.1	5000/3750	05000V‡	20.8/18.0		
65.2 (1655)	500	1640	3000	03000C‡-1655	14.4	03000J‡-1655	12.5	03000N‡-1655	10.8	3000/2250	03000V‡-1655	12.5/10.8	79 (35.8)	79 (35.8)
	750	2450	4500	04500C‡-1655	21.6	04500J‡-1655	18.8	04500N‡-1655	16.2	4500/3380	04500V‡-1655	18.8/16.3		
	1000	3280	6000	06000C‡	28.8	06000J‡	25.0	06000N‡	21.7	6000/4500	06000V‡	25.0/21.6		

Length In. (mm)	Density		Watts	Heater Code						Watts at 240/208V	Heater Code		Weight Lbs (kg)	
	W/Ft	W/m		208V (3 ph)	Amps	240V (3 ph)	Amps	480V (3 ph)	Amps		240/208V (3 ph)	Amps	CAI (Flat)	CASI (Sloped)
27.2 (690)	500	1640	1000	01000D‡-690	2.8	01000K‡-690	2.4	01000U‡-690	1.2	1000/750	01000P‡-690	2.8/2.1	37 (16.8)	37 (16.8)
	750	2450	1500	01500D‡-690	4.2	01500K‡-690	3.6	01500U‡-690	1.8	1500/1125	01500P‡-690	3.6/3.1		
	1000	3280	2000	02000D‡	5.6	02000K‡	4.8	02000U‡	2.4	2000/1500	02000P‡	4.8/4.2		
37.2 (944)	500	1640	1500	01500D‡-944	4.2	01500K‡-944	3.6	01500U‡-944	1.8	1500/1125	01500P‡-944	3.6/3.1	47 (21.3)	47 (21.3)
	750	2450	2250	02250D‡-944	6.2	02250K‡-944	5.4	02250U‡-944	2.7	2250/1690	02250P‡-944	5.4/4.7		
	1000	3280	3000	03000D‡	8.3	03000K‡	7.2	03000U‡	3.6	3000/2250	03000P‡	7.2/6.2		
47.2 (1198)	500	1640	2000	02000D‡-1198	5.6	02000K‡-1198	4.8	02000U‡-1198	2.4	2000/1500	02000P‡-1198	4.8/4.2	57 (25.9)	57 (25.9)
	750	2450	3000	03000D‡-1198	8.3	03000K‡-1198	7.2	03000U‡-1198	3.6	3000/2250	03000P‡-1198	7.2/6.2		
	1000	3280	4000	04000D‡	11.1	04000K‡	9.6	04000U‡	4.8	4000/3000	04000P‡	9.6/8.3		
57.2 (1452)	500	1640	2500	02500D‡-1452	6.9	02500K‡-1452	6.0	02500U‡-1452	3.0	2500/1875	02500P‡-1452	6.0/5.2	67 (30.4)	67 (30.4)
	750	2450	3750	03750D‡-1452	10.4	03750K‡-1452	9.0	03750U‡-1452	4.5	3750/2817	03750P‡-1452	9.0/7.8		
	1000	3280	5000	05000D‡	13.9	05000K‡	12.0	05000U‡	6.0	5000/3750	05000P‡	12.0/10.4		
65.2 (1655)	500	1640	3000	03000D‡-1655	8.3	03000K‡-1655	7.2	03000U‡-1655	3.6	3000/2250	03000P‡-1655	7.2/6.2	79 (35.8)	79 (35.8)
	750	2450	4500	04500D‡-1655	12.5	04500K‡-1655	10.8	04500U‡-1655	5.4	4500/3380	04500P‡-1655	10.8/9.4		
	1000	3280	6000	06000D‡	16.7	06000K‡	14.4	06000U‡	7.2	6000/4500	06000P‡	14.4/12.5		

Other voltages available, consult factory.

‡Standard colors - Add W for white finish or A for almond finish to the end of catalog number when ‡ is indicated.

Special or custom colors - See inside back cover for color codes to be added to end of catalog number where ‡ is indicated.

For three-phase units a double pole relay or thermostat is required.



Phone: 314-333-5500
www.heatrex.com