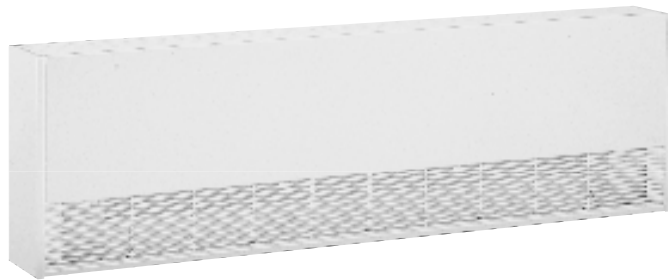


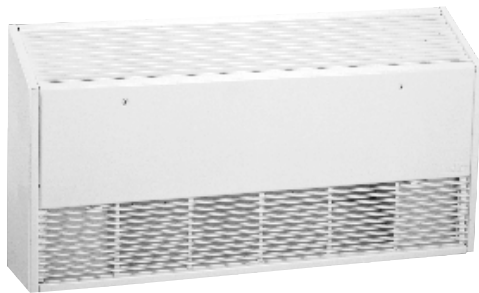
908/909 SERIES

Architectural Convactor

Architectural Sloped Top Convactor



909 Series



908 Series

The 908/9009 architectural convectors are designed to heat large commercial spaces without the fan noise associated with unit heaters.

- **Installation Options:** Units may be mounted to the wall, flush on the floor or on pedestals. Custom lengths, blank sections, sub-bases and inside or outside corners are available for wall-to-wall installations. Units and accessories can be ordered with smooth painted finish when the back of the heater is visible.
- **Added Safety:** The sloped-top cabinet on the 908 Series prevents objects from being set on top of the heater, which can restrict airflow and cause overheating.
- **Recessed Mounting:** The BAI heater can be fully recessed when the front warm air outlet option is used.
- **Choice of Colors:** Heaters can be matched to any décor. White or almond is standard and a wide range of optional colors and custom finishes are also available.

Applications

- Banks
- Classrooms
- Conference Rooms
- Halls
- Offices

Standard



Special Colors



Standard Construction Features

Heating Elements – Stainless steel elements with aluminum fins float on high temperature nylon bushings for quiet operation.

Housing – Cabinet is constructed of 20-gauge steel with a 16-gauge steel front cover. The unit has an epoxy/polyester powder paint finish in white or almond.

Inlet/Outlet Grilles – The fresh air inlet grille is located on the front of the unit. An extruded aluminum outlet grille discourages tampering with the heating element.

Built-in Controls – Linear limit, automatic reset thermal cut-out.

Installation Requirements – Field or factory-installed low voltage relay and thermostat kits. These units are not designed for residential use in the United States.

Rough In Dimensions – 909 Series only: Heater Length + 1" wide x 15" high x 6" deep.



Phone: 314-333-5500
www.heatrex.com

908/909 SERIES

Architectural Convector Architectural Sloped Top Convector

Factory Built-in Options

Code	Description
D1	Disconnect Switch, Three-pole, 600V, 32 Amp
F	Front Air outlet (BAI Only)
R1	24V Relay, Single-pole, 240V, 22 Amp; 277V, 19 Amp
R2	24V Relay with Transformer, 240V, 22 Amp; 277V, 19 Amp
R3	24V Double-pole Relay, 240V, 25 Amp; 277V, 19 Amp
R4	240V Relay, Single-pole, 240V, 25 Amp
R5	240V Relay, Double-pole, 240V, 25 Amp
R6	Pneumatic Relay, 480V, 20 Amp
R7	Triac Proportional Relay, 277V Max., 2500W Max.
S	Smooth painted finish on heater back
T1	Tamperproof Thermostat, Single-pole, 240V, 30 Amp; 480V, 15 Amp
T2	Tamperproof Thermostat, Double-pole, 480V, 15 Amp
X1	240V Transformer - 50 VA
X2	24V Transformer - 50 VA

Remote Room Thermostat – See page 31.

Field-Installed Options

(shipped loose for field installation into heater)

Catalog Number	Description
909-124609	Flat Top Corner (interior and exterior)
908-124609	Sloped-top inside corner
908-218356	Sloped-top outside corner
909-124610	Square Pedestal Kit
909-124611	27.2 (690)
909-124612	37.2 (944)
909-124613	47.2 (1198)
909-124614	57.2 (1452)
909-124615	65.2 (1655)
909-124616	75.2 (1909)
909-124617	83.2 (2112)
909-218276(1)	27.2 (690)
909-218277(1)	37.2 (944)
909-218278(1)	47.2 (1198)
909-218279(1)	57.2 (1452)
909-218280(1)	65.2 (1655)
909-218281(1)	75.2 (1909)
909-218282(1)	83.2 (2112)
909-124618	27.2 (690)
909-124619	37.2 (944)
909-124620	47.2 (1198)
909-124621	57.2 (1452)
909-124622	65.2 (1655)
909-124623	75.2 (1909)
909-124624	83.2 (2112)
909-124628(1)	Control Box - 12"
909-124629	24V Relay Kit, Single-pole, 240V, 22 Amp; 277V, 19 Amp
909-124630	24V Relay Kit, Double-pole, 240V, 25 Amp
909-124633	24V Relay Kit with Transformer, 208V, 22 Amp
909-124634	24V Relay Kit with Transformer, 240V, 22 Amp
909-124635	24V Relay Kit with Transformer, 277V, 19 Amp

(1) Change 909 prefix to 908 for sloped-top.

Standard colors - Add W for white finish or A for almond finish to the end of part number.

Special or custom colors - See inside back cover for color codes to be added to end of part number.

Empty cabinet sections can be cut to length in the field.

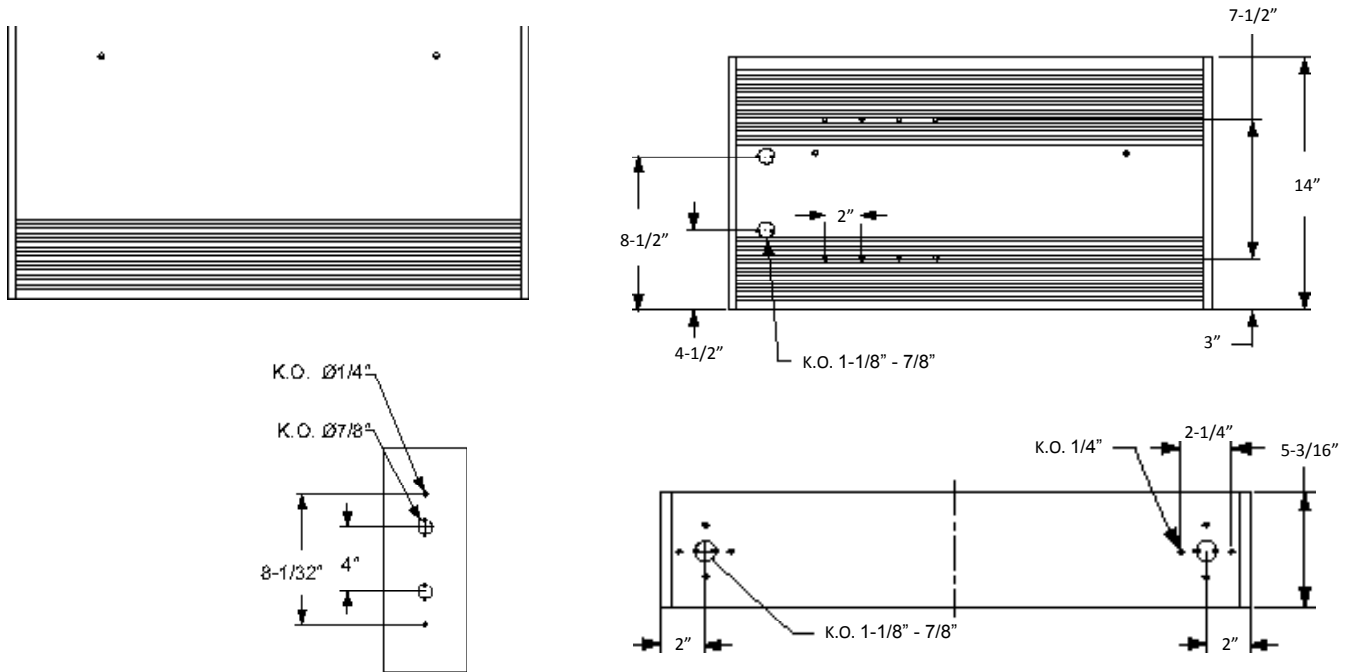


Phone: 314-333-5500
www.heatrex.com

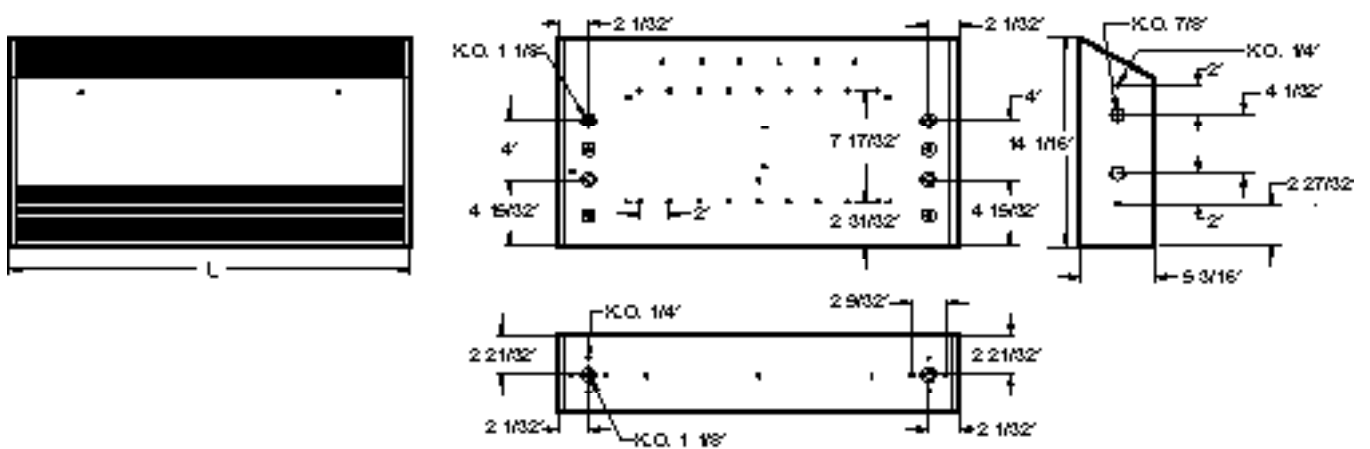
908/909 SERIES

Architectural Convactor

Architectural Sloped Top Convactor



909 Series



908 Series



Phone: 314-333-5500
www.heatrex.com

908/909 SERIES

Architectural Convector Architectural Sloped Top Convector

HX-909U (Flat Top)

HS-908U (Sloped Top)

How to order: Model + Heater Code with color code + Options

(example HSX909U02000NW-1655-T1)

Length In. (mm)	Density		Watts	Heater Code				Watts at 240/208V	Heater Code		Weight Lbs (kg)	
	W/Ft	W/m		208V (1 Ph)	Amps	277V (1 Ph)	Amps		240/208V (1 Ph)	Amps	909 (Flat)	908 (Sloped)
27.2 (690)	375	1250	800	00800C‡-690	3.8	00800N‡-690	2.9	800/600	00800V‡-690	3.3/2.9	30 (13.6)	32.0 (14.5)
	500	1640	1000	01000C‡	4.8	01000N‡	3.6	1000/750	01000V‡	4.2/3.6		
37.2 (944)	375	1250	1000	01000C‡-944	4.8	01000N‡-944	3.6	1000/750	01000V‡-944	4.2/3.6	46 (20.9)	46 (20.9)
	500	1640	1500	01500C‡	7.2	01500N‡	5.4	1500/1125	01500V‡	6.3/5.4		
47.2 (1198)	375	1250	1500	01500C‡-1198	7.2	01500N‡-1198	5.4	1500/1125	01500V‡-1198	6.3/5.4	57 (25.9)	57 (25.9)
	500	1640	2000	02000C‡	9.6	02000N‡	7.2	2000/1500	02000V‡	8.3/7.2		
57.2 (1452)	375	1250	1750	01750C‡-1452	8.4	01750N‡-1452	6.3	1750/1313	01750V‡-1452	7.3/6.3	66 (29.9)	66 (30)
	500	1640	2500	02500C‡	12.0	02500N‡	9.0	2500/1875	02500V‡	10.4/9.0		
65.2 (1655)	375	1250	2000	02000C‡-1655	9.6	02000N‡-1655	7.2	2000/1500	02000V‡-1655	8.3/7.2	75 (34.0)	75 (34.1)
	500	1640	3000	03000C‡	14.4	03000N‡	10.8	3000/2250	03000V‡	12.5/10.8		
75.2 (1909)	375	1250	2500	02500C‡-1909	12.0	02500N‡-1909	9.0	2500/1875	02500V‡-1909	10.4/9.0	80 (36.3)	80 (36.3)
	500	1640	3500	03500C‡(1)	16.8	03500N‡	12.6	3500/2625	03500V‡	14.6/12.6		
83.2 (2112)	375	1250	2750	02750C‡-2112	13.2	02750N‡-2112	9.9	2750/2066	02750V‡-2112	11.5/9.9	89 (40.4)	89 (40.5)
	500	1640	4000	04000C‡(1)	19.2	04000N‡	14.4	4000/3000	04000V‡	16.7/14.4		

Other single-phase voltages available, consult factory.

‡Standard colors - Add W for white finish or A for almond finish to the end of catalog number when ‡ is indicated.

Special or custom colors - See inside back cover for color codes to be added to end of catalog number where ‡ is indicated.

(1) If control option R7 is required for these heaters, (Qty 2) R7 Triac proportional relays are required.



Phone: 314-333-5500
www.heatrex.com