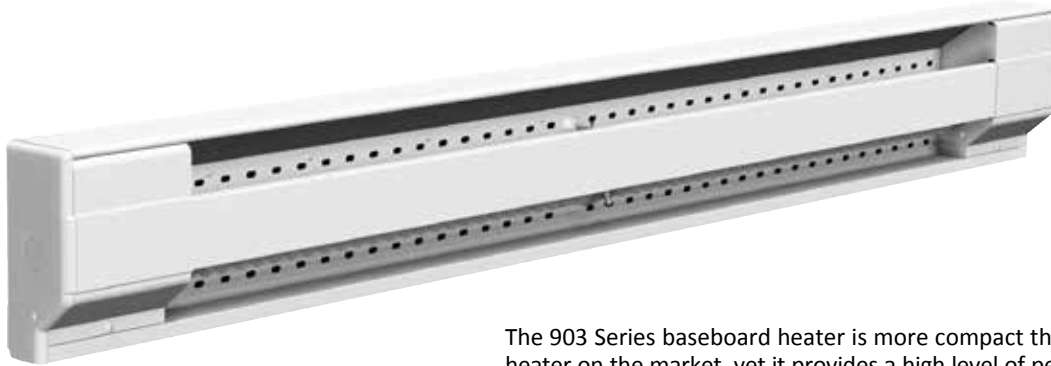


903 SERIES

Baseboard Heater



Applications

- Offices
- Restrooms
- Retail Stores
- Restaurants

The 903 Series baseboard heater is more compact than any other heater on the market, yet it provides a high level of performance and strength. The unit's trim design enhances its appearance and rounded corners eliminate the sharp edges found on square heaters.

- **Easy to Install:** Heaters may be mounted flush on any floor surface. Two rows of oblong mounting holes with center mark for ease of installation. No disassembly installation with single-screw built-in rear entry wire holder.
- **Electric Receptacles:** Units can be furnished with built-on 120 and 240-volt receptacles to provide access for other electrical appliances.
- **Control Options:** Heaters can be controlled by a building management system with the addition of a low voltage relay. Adding a proportional control device provides precise temperature control and increased energy savings.

Standard Construction Features

Heating Elements – Stainless steel elements with aluminum fins float on high temperature nylon bushings for quiet operation.

Housing – Robust 22-gauge steel body with 20-gauge front panel and welded junction box, with 4H pencil hardness epoxy/polyester powder paint finish in white or almond.

Built-in Controls – Linear limit, automatic reset thermal cutout.



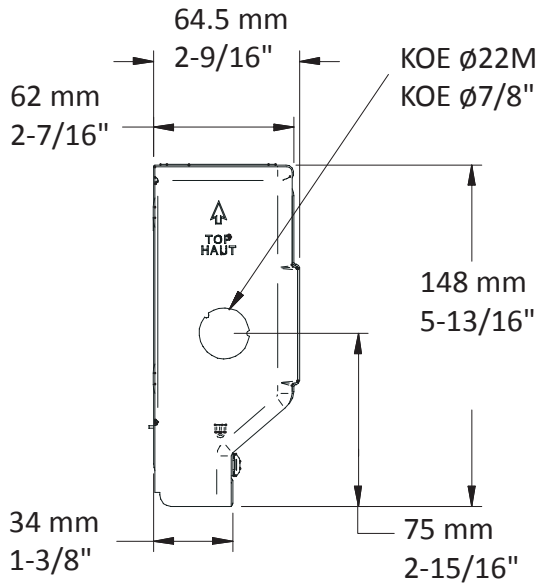
Phone: 314-333-5500
www.heatrex.com

903 SERIES

Baseboard Heater

Factory Built-in Options

Code	Description
D3	Disconnect Switch, 277V, Double-pole, 20 Amp
M1	High Altitude Automatic Cutout for 3,000 to 8,200 ft.
R1	24V Relay, Single-pole, 240V, 22 Amp; 277V, 19 Amp
R2	24V Relay with Transformer, 240V, 22 Amp; 277V, 19 Amp
R7	Triac Proportional Relay, 277V Max, 2500 W Max
T1	Tamperproof Thermostat, Single-pole, 277V, 25 Amp
T2	Tamperproof Thermostat, Double-pole, 277V, 25 Amp with off position
T5	Adjustable Thermostat, Single-pole, 277V, 25 Amp
T6	Adjustable Thermostat, Double-pole, 277V, 25 Amp with off position



Side View

Field-Installed Options

(shipped loose for field installation into heater)

Catalog Number	Description
903-243496‡	Baseboard Section 6 in. (152 mm) - 240V Splitter Box to permanently connect an air conditioner (20A switch, double-pole, double-throw)
903-243497‡	Baseboard Section 6" (152mm) - 240V Splitter Box toward a surface mount, 6-20R Receptacle, 20A switch, double-pole, double throw
903-243498‡	Baseboard Section 6" (152mm) - Surface mounted duplex 5-15R receptable, 120V, 15A
903-243499‡	Baseboard Section 6" (152mm) - Surface mounted duplex 6-20R receptable, 240V
903-243500‡	Baseboard Section 6" (152mm) - for the installation of a 24V relay (relay not included)
903-243501	Electronic Relay Kit, single-pole, coil 24V, with transformer, 15A 277 max
903-243502	Electronic Relay Kit, single-pole, coil 24V, without transformer, 15A 277 max
903-243503	Relay Kit 24V with transformer, 120V, 25 Amp (2-wire only)
903-243504	Relay Kit 24V with Transformer, 208V, 22 Amp
903-243505	Relay Kit 24V with Transformer, 240V, 22 Amp
903-243506	Relay Kit 24V with Transformer, 277V, 19 Amp
903-243507	Relay Kit 24V without Transformer, 120V - 240V, 22 Amp, 277V, 19 Amps
903-243509‡	Thermostat Kit, Adjustable, Double-pole, 277V, 25 Amp with off position
903-243510‡	Thermostat Kit, Adjustable, Single-pole, 277V, 25 Amp
903-243511‡	Thermostat Kit, Tamperproof, Double-pole, 277V, 25 Amp with off position
903-243512‡	Thermostat Kit, Tamperproof, Single-pole, 277V, 25 Amp
903-243513‡	Touch Up Brush Paint (1/2 oz)
903-243514‡	Touch Up Spray Paint (6 oz)
903-243515‡	Universal Corners (inside and outside)

Standard colors - Add W for white finish or A for almond finish to the end of part number.

Special or custom colors - See inside back cover for color codes to be added to end of part number.



903 SERIES

Baseboard Heater

Heater Listing

How to order: Heater Code with color code + Options (example HX-903U00750BW-T1)

Standard Watt Density Models 275 W/ft. (900 W/m)

Length In. (mm)	Watts	Heater Code						Watts at 240/208V	Dual Voltage Heater Code		Weight Lbs (kg)
		120V (1 Ph)	Amps	208V (1 Ph)	Amps	277V (1 Ph)	Amps		240/208V (1 Ph)	Amps	
22.75 (577)	300	HX-903U00300B‡	2.5	HX-903U00300C‡	1.4	—	1.1	300/225	HX-903U00300V‡	1.3/1.1	4.5 (2.0)
27.75 (702)	500	HX-903U00500B‡	4.2	HX-903U00500C‡	2.4	HX-903U00500N‡	1.8	500/375	HX-903U00500V‡	2.1/1.8	5.5 (2.5)
37.75 (956)	750	HX-903U00750B‡	6.3	HX-903U00750C‡	3.6	HX-903U00750N‡	2.7	750/563	HX-903U00750V‡	3.1/2.7	7.3 (3.3)
48 (1217)	1000	HX-903U01000B‡	8.3	HX-903U01000C‡	4.8	HX-903U01000N‡	3.6	1000/750	HX-903U01000V‡	4.2/3.6	9.0 (4.0)
60 (1524)	1250	HX-903U01250B‡	10.4	HX-903U01250C‡	6.0	HX-903U01250N‡	4.5	1250/938	HX-903U01250V‡	5.2/4.5	10.5 (4.8)
72 (1829)	1500	HX-903U01500B‡	12.5	HX-903U01500C‡	7.2	HX-903U01500N‡	5.4	1500/1125	HX-903U01500V‡	6.3/5.4	12.0 (5.5)
75.5 (1916)	1750	—	—	HX-903U01750C‡	8.4	HX-903U01750N‡	6.3	1750/1313	HX-903U01750V‡	7.3/6.3	13.5 (6.2)
96 (2439)	2000	—	—	HX-903U02000C‡	9.6	HX-903U02000N‡	7.2	2000/1500	HX-903U02000V‡	8.3/7.2	15.0 (6.8)
93 (2364)	*2250	—	—	HX-903U02250C‡	10.8	HX-903U02250N‡	8.1	*2250/1688	HX-903U02250V‡	9.4/8.1	16.5 (7.5)
102.25 (2596)	*2500	—	—	HX-903U02500C‡	12.0	HX-903U02500N‡	9.0	*2500/1875	HX-903U02500V‡	10.4/9.0	18.0 (8.2)

Other single-phase voltages available, consult factory.

‡Standard colors - Add W for white finish or A for almond finish to the catalog number when ‡ is indicated.

Special or custom colors - See inside back cover for color codes to be added to the catalog number where ‡ is indicated.

(*) These items must be ordered in pairs to reduce shipping damage.

