

Tank and Basin Heaters

Pipe Insert Heaters

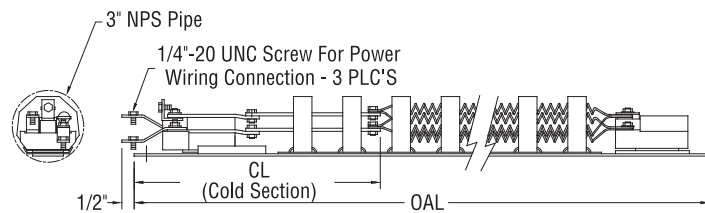
Open Coil Pipe Insert Heaters are designed to insert into a horizontal 3" pipe mounted just above the anticipated sludge level in the tank and below the expected minimum operational fluid level. These units provide a low watt density over a large surface area and are used to heat sensitive fluids. Advantages include the ability to change the heater without draining the tank and to provide up to a Schedule 80 pipe wall in mildly corrosive fluids.

Heater pipes can be customer supplied or provided by Heatrex. Pipes can be welded into the tank wall or can be attached with an ANSI flange. Heatrex can also provide a weather-resistant terminal box with NPT threads attached to the end of the heater pipe.

Consult the factory for custom heaters not represented in the following chart.

| Catalog Number | Pipe Length (Inches) | KW at 480V 15 W/Sq. In. |
|----------------|----------------------|----------------------------|
| HX-797-129915 | 48 | 3.95 |
| HX-797-129916 | 60 | 5.5 |
| HX-797-129917 | 72 | 7.25 |
| HX-797-129918 | 84 | 9 |
| HX-797-129919 | 96 | 10.5 |
| HX-797-129920 | 108 | 12 |
| HX-797-129921 | 120 | 14 |
| HX-797-129922 | 132 | 16.5 |
| HX-797-129923 | 144 | 17.5 |
| HX-797-129924 | 156 | 19 |
| HX-797-129925 | 168 | 20 |

Based on a 12" cold length.



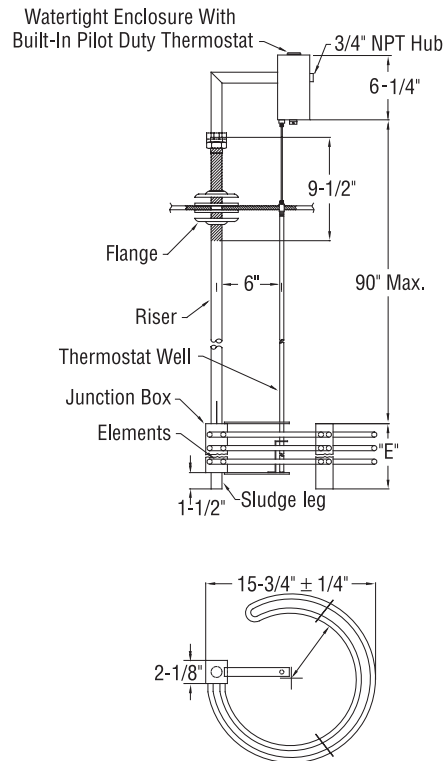
Deep Tank Heaters

Deep Tank Heaters are designed to fit into a manhole of an enclosed tank or double wall tank installed either above or below grade. Often the riser is "split" to facilitate installation. Watt densities can vary from 50 W/Sq. In. for water applications to 5 W/Sq. In. for heavy fuel oils. Controls are often provided to avoid penetrating the tank elsewhere. The element bundle diameter can range from a 12" O.D. to a maximum of 22" O.D.

Steel NEMA 4 Box

12 W/Sq. In.

| Number of Elements | KW | Dimensions (Inches) E | Catalog Number | Availability | | | |
|--------------------|-----|-----------------------|----------------|--------------|------|---------|------|
| | | | | 1 Phase | | 3 Phase | |
| | | | | 480V | 208V | 240V | 480V |
| 3 | 5 | 6 | HX-747N063 | • | • | • | • |
| 6 | 7.5 | 9-1/2 | HX-747N073 | • | • | • | • |
| 9 | 10 | 13-1/4 | HX-747N083 | • | • | • | • |
| 12 | 15 | 17 | HX-747N093 | • | • | • | • |
| 18 | 20 | 24-3/4 | HX-747N103 | • | • | • | • |
| 24 | 30 | 32 | HX-747N113 | • | • | • | • |



Consult factory for pilot duty thermostat options.