

Dimension Sheet Screw Plug Heaters

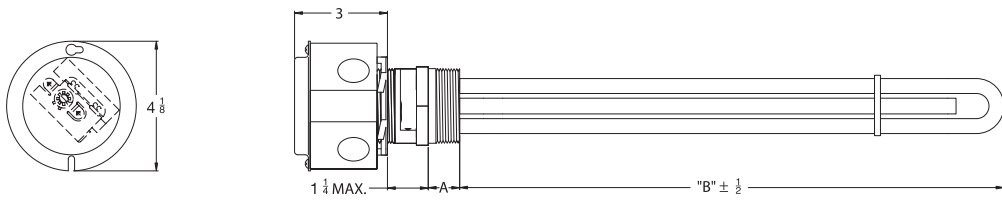


Figure 1

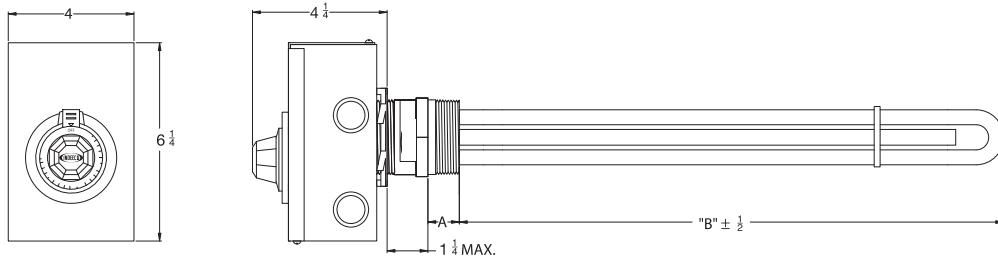


Figure 2

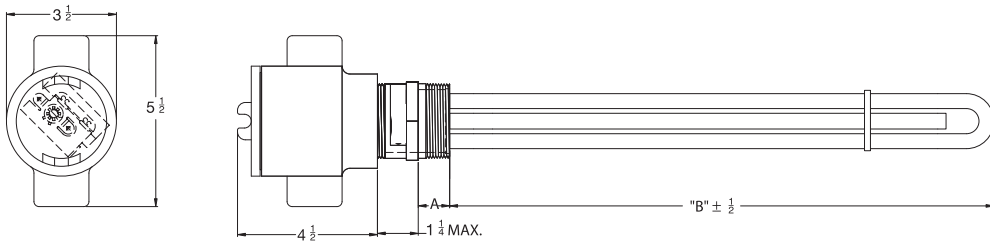


Figure 3

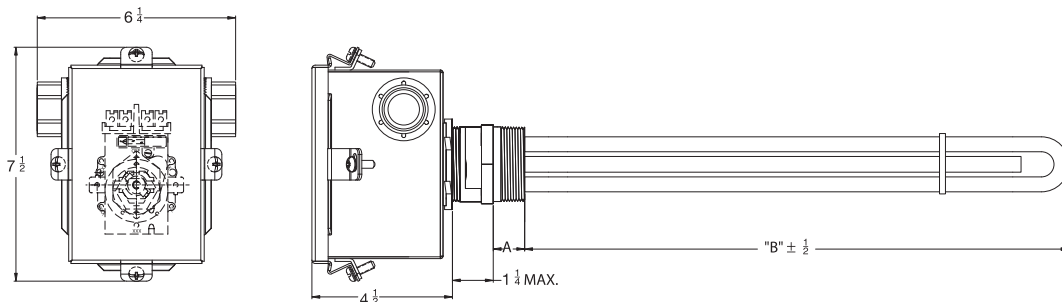


Figure 4

Dimension Sheet Pipe Thread Heaters

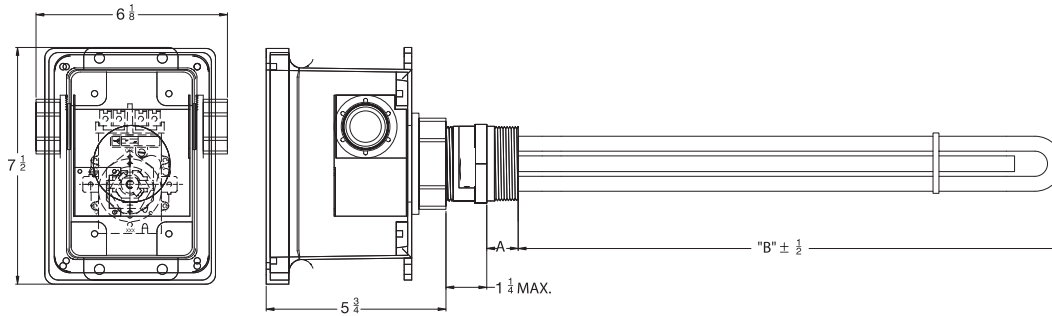


Figure 5

Thermostat and Terminal Box Selection

Fitting (Inches)	A (Inches)	Note
1	7/8	All pipethread fittings have identical terminal box dimensions. See Figures 1-5.
1-1/4	7/8	
2	1	
2-1/2	1-7/16	

Volts	Max KW	Thermostat	NEMA 1 Drawing	NEMA 4 Drawing	NEMA 4X Drawing
120/1	1.9	SPST load carrying	Figure 1	Figure 3	Figure 3
	3	SPST load carrying	Figure 1	Figure 4	Figure 5
	>3	SPST pilot duty*	Figure 1	Figure 4	Figure 5
208/1	3.3	SPST load carrying	Figure 1	Figure 3	Figure 3
	5.2	SPST load carrying	Figure 1	Figure 4	Figure 5
	>5.2	SPST pilot duty*	Figure 1	Figure 4	Figure 5
240/1	3.6	SPST load carrying	Figure 1	Figure 3	Figure 3
	6	SPST load carrying	Figure 1	Figure 4	Figure 5
	>6	SPST pilot duty*	Figure 1	Figure 4	Figure 5
480/1	4.8	DPST load carrying	Figure 2	Figure 4	Figure 5
	7.6	SPST pilot duty*	Figure 1	Figure 3	Figure 3
	>7.6	SPST pilot duty*	Figure 1	Figure 4	Figure 5
208/3	10.7	DPST load carrying	Figure 2	Figure 4	Figure 5
	>10.7	SPST pilot duty*	Figure 1	Figure 4	Figure 5
240/3	12.4	DPST load carrying	Figure 2	Figure 4	Figure 5
	>12.4	SPST pilot duty*	Figure 1	Figure 4	Figure 5
480/3	8.3	DPST load carrying	Figure 2	Figure 4	Figure 5
	13.2	SPST pilot duty*	Figure 1	Figure 3	Figure 3
	>13.2	SPST pilot duty*	Figure 1	Figure 4	Figure 5

* Requires customer supplied remote contactor and control voltage.

Note: If indicating light or off position required specify DPST thermostat.