

Typical Wiring Diagrams

Illustrated on these pages are typical wiring diagrams for HEATREX open coil and finned tubular duct heaters.

Wiring diagrams shipped with many heaters are semi-typical in nature, showing various alternates for certain components and illustrating Special Features which may not be supplied on the heater in question. However, check blocks on each wiring diagram are marked to indicate which of the alternates or Special Features apply. The wiring diagrams also indicate the appropriate field wiring gauges and the amp rating of any fuses provided.

Control Option G, Single Stage Three-Phase

Open Coil

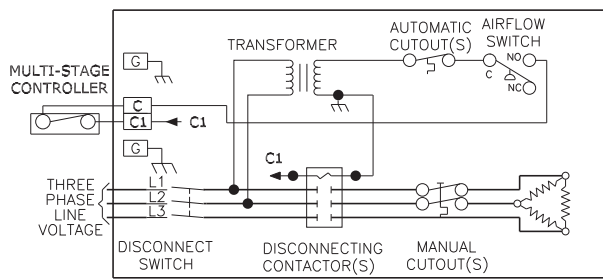


Diagram-1

Finned Tubular

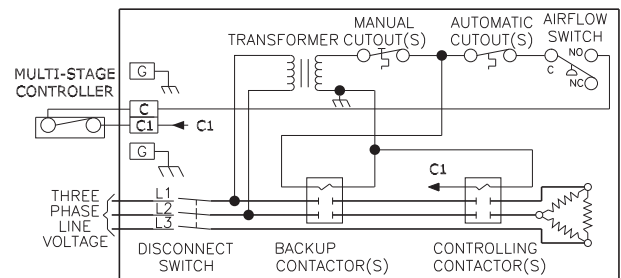


Diagram-2

Control Option G, Single Stage with Fan Relay, Three-Phase

Open Coil

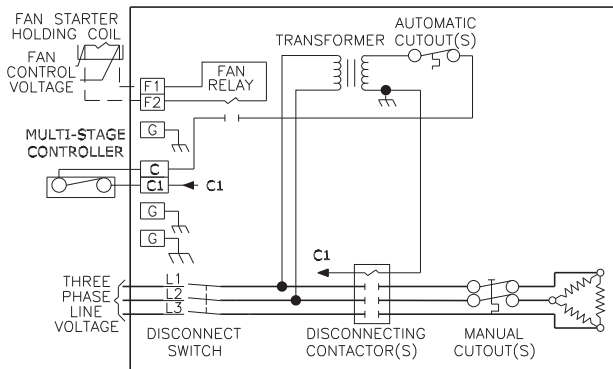


Diagram-3

Finned Tubular

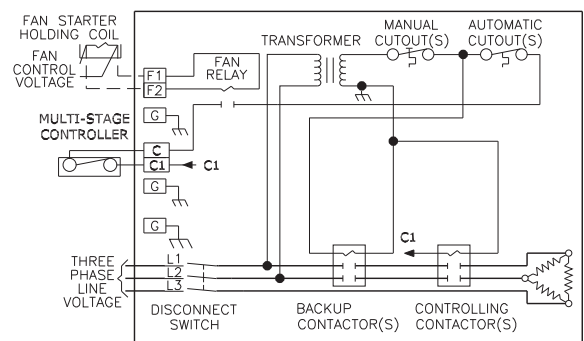


Diagram-4

Typical Wiring Diagrams

Control Option G, Multiple Stages, Single-Phase

Open Coil

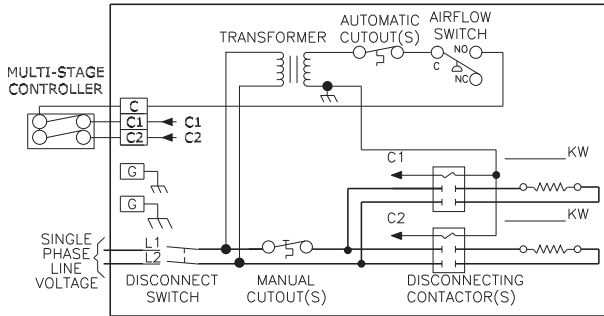


Diagram-5

Finned Tubular

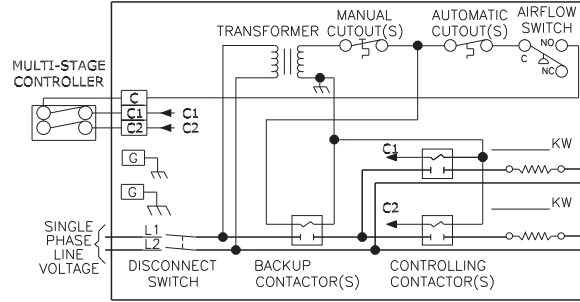


Diagram-6

Control Option G, Multiple Stages with Electronic Step Controller, Three-Phase

Open Coil

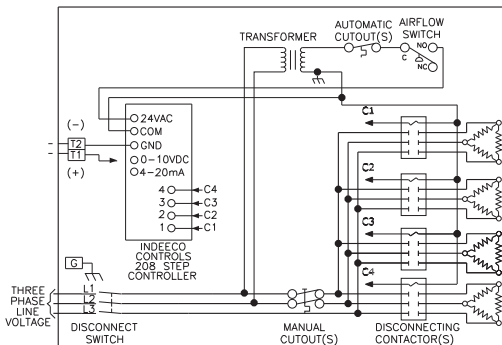


Diagram-7

Finned Tubular

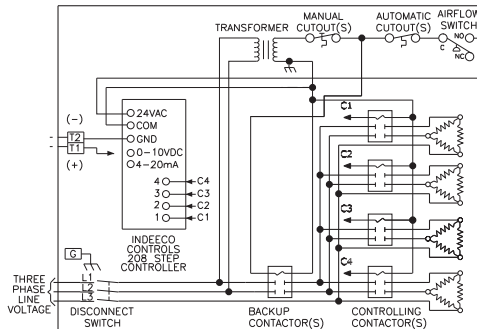


Diagram-8

Control Option K, SCR, Three-Phase

Open Coil

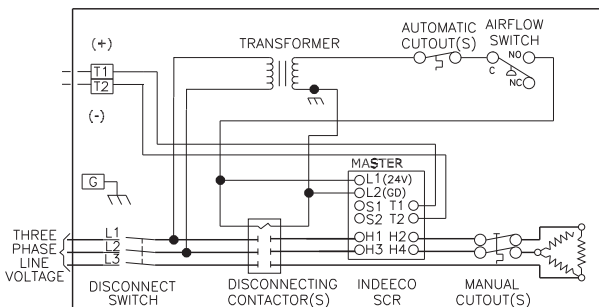


Diagram-9

Finned Tubular

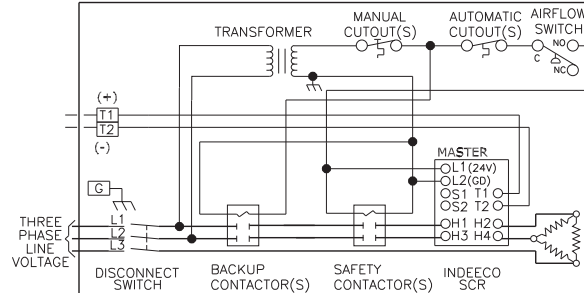


Diagram-10

Typical Wiring Diagrams

Control Option K, with a Proportional Room or Duct Thermostat, Three-Phase

Open Coil

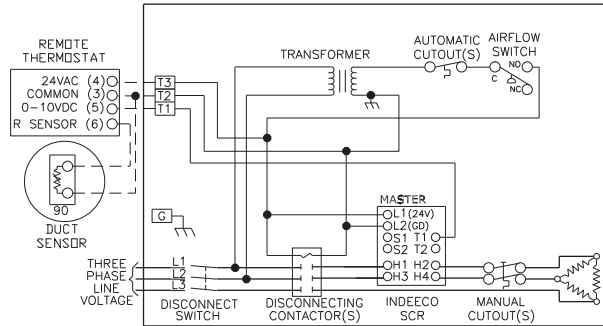


Diagram-11

Finned Tubular

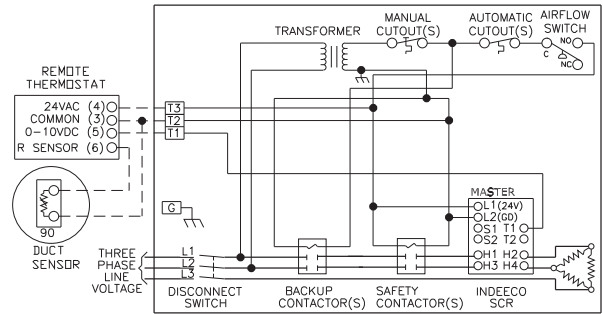


Diagram-12

Control Option K, SCR Vernier Control, Three-Phase

Open Coil

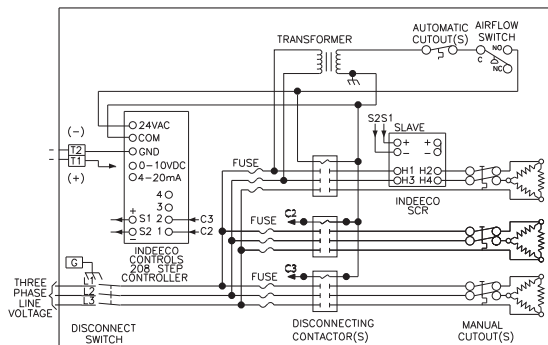


Diagram-13

Finned Tubular

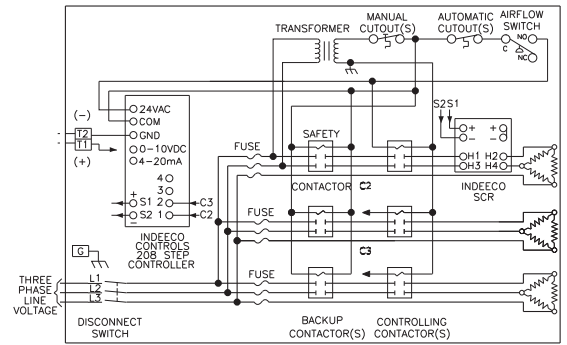


Diagram-14

Control Option K, SCR Vernier Control, Remote Control Panel, Three-Phase

Open Coil

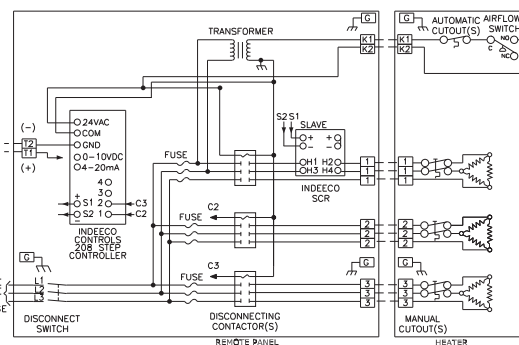


Diagram-15

Finned Tubular

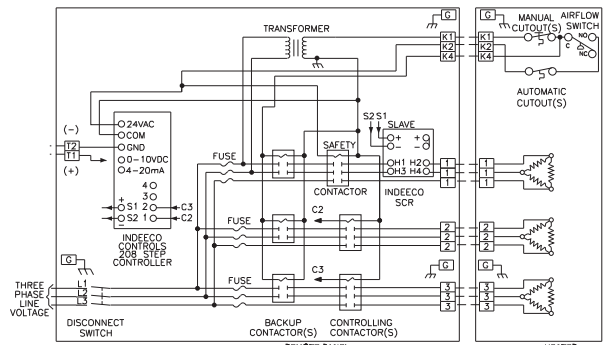


Diagram-16