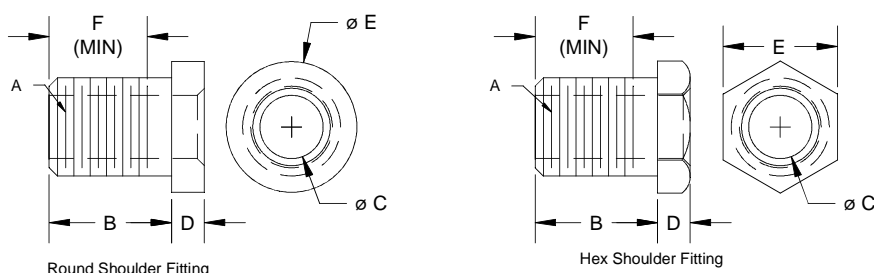


Mounting Accessories

Two types are available: Threaded Fittings and Mounting Plates.

Threaded Fittings

Threaded fittings are furnished with nuts and optional fiber gaskets, washers and lockwashers. Fittings are silver soldered, welded or mechanically pressed (staked) to the sheath. Welding requires sheath and fitting material compatibility. Standard elements may be provided with two fittings, one for each terminal end. Two-pass elements may be provided with only one fitting.



Dimensional details shown in Table VII

Table VII

C Element Diameter	Fitting Part No.	Shoulder Type	Material	A Thread Size	B Length	D Shoulder Thk	E Head Size	F Min. Thrd. Length
0.250/0.260	60000425	Hex	SST	7/16-20UNF	0.56	0.13	0.63	0.425+
0.250/0.260	60000428	Hex	BRS	1/2-20UNF	0.50	0.13	0.75	0.43
0.250/0.260	86-2-C-3	Round	BRS	1/2-20UNF	0.63	0.13	0.75	0.55
0.260	86-3-C-74	Hex	BRS	1/2-20UNF	0.69	0.19	0.75	0.61
0.315	60000326	Hex	SST	7/16-20UNF	0.56	0.13	0.63	0.425+
0.315	1007121	Round	BRS	7/16-28UNEF	0.56	0.31	0.75	0.51
0.315	86-22-C-1	Hex	BRS	1/2-20UNF	0.50	0.19	0.75	0.43
0.315	86-22-ZC-2*	Hex	BRS	1/2-20UNF	0.50	0.19	0.75	0.43
0.315	86-3-UZ-1	Hex	303 SST	1/2-20UNF	0.63	0.13	0.75	0.488+
0.315	60000431	Round	SST	1/2-20UNF	0.81	0.13	0.75	0.675+
0.315	1007139	Round	BRS	1/2-20UNF	0.88	0.31	0.75	0.80
0.315	86-37-C-1	Hex	BRS	1/2-20UNF	1.00	0.25	0.75	0.93
0.315	1007219	Round	BRS	9/16-18UNF	0.50	0.13	1.00	0.42
0.315	1007142	Round	BRS	5/8-18UNF	0.50	0.31	1.00	0.42
0.315	86-62-C-1	Hex	BRS	5/8-18UNF	0.75	0.19	0.88	0.67
0.315	60000384	Hex	SST	5/8-18UNF	0.81	0.13	0.88	0.73
0.375	60000324	Hex	BRS	1/2-20UNF	0.56	0.13	0.75	0.49
0.375	60000198	Hex	303 SST	9/16-18UNF	0.69	0.13	0.75	0.542+
0.375	86-3-UZ-81	Hex	303 SST	9/16-18UNF	1.00	0.13	0.88	0.854+
0.430	86-47-C-1	Round	BRS	9/16-18UNF	1.00	0.25	0.75	0.92
0.430	86-36-C-2	Hex	BRS	5/8-18UNF	0.50	0.19	0.88	0.42
0.430	60000320	Hex	SST	5/8-18UNF	0.63	0.13	0.88	0.48
0.430	86-36-C-1	Hex	BRS	5/8-18UNF	0.75	0.19	0.88	0.67
0.430	60000396	Hex	SST	5/8-18UNF	1.00	0.13	0.88	0.854+
0.430	86-3-C-7	Hex	BRS	5/8-18UNF	1.06	0.19	0.88	0.98
0.430	60000352	Hex	BRS	3/4-16UNF	0.81	0.19	1.00	0.72
0.430	60000337	Hex	SST	3/4-16UNF	1.06	0.19	1.00	0.97
0.475	1007127	Round	BRS	5/8-18UNF	0.56	0.31	1.00	0.48

* Tin plated brass

Mounting Accessories

Table VII (continued)

C Element Diameter	Fitting Part No.	Shoulder Type	Material	A Thread Size	B Length	D Shoulder Thk	E Head Size	F Min. Thrd. Length
0.475	1006846***	Round	STEEL	5/8-18UNF	0.56	0.13	1.00	0.417+
0.475	1007118	Round	BRS	5/8-18UNF	0.81	0.31	1.00	0.73
0.475	1007276	Round	SST	5/8-24UNEF	0.75	0.13	1.00	0.625+
0.475	1007279	Hex	SST	3/4-16UNF	0.38	0.19	1.00	0.28
0.475	1000058**	Hex	STEEL	3/4-16UNF	0.50	0.13	0.88	0.41
0.475	1007225	Hex	BRS	3/4-16UNF	0.88	0.25	1.00	0.78
0.475	1007228	Hex	SST	3/4-16UNF	0.88	0.25	0.88	0.78
0.475	1007273	Hex	SST	3/4-16UNF	1.06	0.19	1.00	0.97
0.490	60000389	Hex	BRS	5/8-18UNF	0.50	0.13	0.88	0.42
0.490	60000138	Hex	SST	5/8-18UNF	0.88	0.19	0.88	0.729+
0.490	60000317	Hex	SST	3/4-16UNF	0.56	0.13	1.00	0.47
0.490	60000070	Hex	SST	3/4-16UNF	1.06	0.19	1.00	0.97
0.625	60000410	Hex	STEEL	7/8-14UNF	1.00	0.13	1.13	0.83+
0.625	60000373	Hex	SST	7/8-14UNF	1.13	0.13	1.13	0.955+
0.625	60000008	Hex	SST	7/8-14UNF	1.38	0.13	1.13	1.205+
0.625	60000375	Round	STEEL	7/8-14UNF	1.88	0.13	1.25	1.705+

+ Fitting has a 1/16" weld projection not included in the "F" dimension shown. Consult factory for details.

** This fitting is copper plated steel, normally furnished on finned tubular elements with palnut type locknuts standard. Gaskets are not furnished unless specified.

*** Nickel plated steel

Other fittings available, contact factory.

Mounting Plates

Mounting plates provide a simple, convenient means of holding elements in place in an airstream and other applications where the element is not immersed in a liquid. Stainless steel plates are mechanically pressed (staked) or tack welded to sheathed elements.

The mounting plates shown to the right are standard configurations for .475" diameter elements. Consult factory for other diameters and configurations.

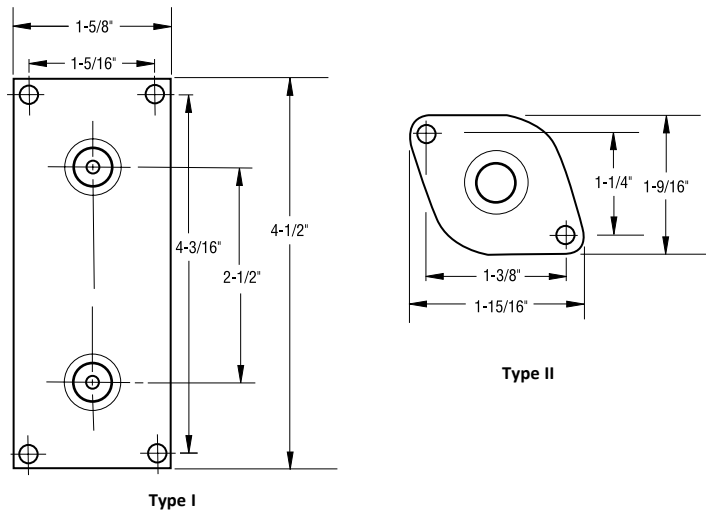


Table VIII

Heating Element Configuration	Mounting Plate	
	Type	Material
2-1/2" C-C U-Bent	I	Stainless
Straight or Two-Pass	II	Stainless