

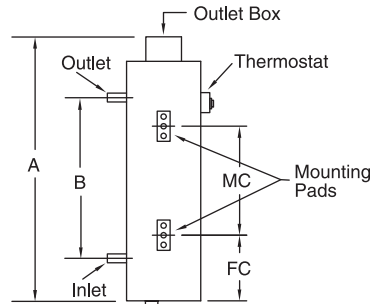
# Circulation Heaters

## Multi-Purpose Heater Listings

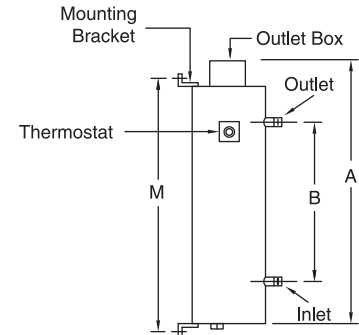
The Series HX-352 (12 W/In<sup>2</sup>), HX-354 (20 W/In<sup>2</sup>) and HX-356 (50 W/In<sup>2</sup>) Heatrex circulation heaters are designed for heating gases, water and oil. These high quality Multi-Purpose Heaters include the following standard features:

- Incoloy sheathed .475" diameter heating elements
- Insulated steel vessel with a galvanized jacket
- NEMA Type 1 terminal enclosure
- Built-on thermostat, 60-250° F range
- Choice of mounting brackets or mounting pads
- Flange heaters have Class 150 steel flanges which meet ANSI B16.5 standards
- Rated 160 psi at 250° F

**Pad Mounting**



**Bracket Mounting**



Reference Dimensional Drawings on page 8. Specify Mounting Configuration per page 9.

KW	Number Of Elements	Catalog Number**			Dimensions (Inches)					Weight (Lbs.)
		240V/1 Phase	240V/3 Phase	480V/3 Phase	A	B	MC	FC	M	
<b>2 -1/2" PIPE THREAD CONSTRUCTION, INCOLOY ELEMENTS, 12 W/IN<sup>2</sup></b>										
2	2	HX-3522A002J01*			40-3/8	28-1/2	22-1/2	5-5/8	37-5/8	41
3	3	HX-3522A003J01*	HX-3522A003K01*	HX-3522A003U01	40-3/8	28-1/2	22-1/2	5-5/8	37-5/8	48
4	2	HX-3522A004J01*			67-7/8	56	50	5-5/8	65-1/8	74
6	3	HX-3522A006J01*	HX-3522A006K01*	HX-3522A006U01	67-7/8	56	50	5-5/8	65-1/8	74
<b>3" -150 LB. FLANGE CONSTRUCTION, INCOLOY ELEMENTS, 12 W/IN<sup>2</sup></b>										
3	3	HX-3523A003J01*	HX-3523A003K01*	HX-3523A003U01	46-1/4	34-1/2	26-1/2	4-1/8	42-1/4	81
6	3	HX-3523A006J01*	HX-3523A006K01*	HX-3523A006U01	68-3/4	57	51	4-1/8	64-3/4	108
<b>5" -150 LB. FLANGE CONSTRUCTION, INCOLOY ELEMENTS, 12 W/IN<sup>2</sup></b>										
9	9	HX-3524A009J01*	HX-3524A009K01*	HX-3524A009U01	43-1/2	30	25	4-3/4	38-7/8	141
18	9	HX-3524A018J03	HX-3524A018K01	HX-3524A018U01	70	56-1/2	25	18-1/4	65-3/8	200
<b>8" -150 LB. FLANGE CONSTRUCTION, INCOLOY ELEMENTS, 12 W/IN<sup>2</sup></b>										
24	24	HX-3525A024J04	HX-3525A024K02	HX-3525A024U01	53-3/8	34-1/2	31	8-3/4	47-1/2	322
36	18		HX-3525A036K02	HX-3525A036U01	75-5/8	56-7/8	53-5/16	8-3/4	69-3/4	399
48	24		HX-3525A048K04	HX-3525A048U02	75-5/8	56-7/8	53-5/16	8-3/4	69-3/4	419
54	18		HX-3525A054K03	HX-3525A054U02	103-3/8	84-1/2	81	8-3/4	97-1/2	511
72	24		HX-3525A072K04	HX-3525A072U02	103-3/8	84-1/2	81	8-3/4	97-1/2	540
<b>12" -150 LB. FLANGE CONSTRUCTION, INCOLOY ELEMENTS, 12 W/IN<sup>2</sup></b>										
80	45		HX-3527N080K05	HX-3527N080U03	84	60	—	—	78-9/16	885
100	45			HX-3527N100U03	94	70	—	—	88-9/16	958
120	48			HX-3527N120U04	94	70	—	—	88-9/16	970
135	48			HX-3527N135U04	104	80	—	—	98-9/16	1043
<b>16" -150 LB. FLANGE CONSTRUCTION, INCOLOY ELEMENTS, 12 W/IN<sup>2</sup></b>										
150	72			HX-3528N150U04	83-1/2	58	—	—	77-7/8	1110
175	72			HX-3528N175U06	93-1/2	68	—	—	87-7/8	1284
195	72			HX-3528N195U06	101-1/2	76	—	—	95-7/8	1398
<b>2 -1/2" PIPE THREAD CONSTRUCTION, INCOLOY ELEMENTS, 20 W/IN<sup>2</sup></b>										
2.25	3	HX-3542A002J01*	HX-3542A002K01*		24-7/8	13	—	—	22-1/8	35
3	3	HX-3542A003J01*	HX-3542A003K01*	HX-3542A003U01	34-3/8	22-1/2	16-1/2	5-5/8	31-5/8	41
4.5	3	HX-3542A005J01*	HX-3542A005K01*	HX-3542A005U01	40-3/8	28-1/2	22-1/2	5-5/8	37-5/8	48
6	3	HX-3542A006J01*	HX-3542A006K01*	HX-3542A006U01	57-1/8	45-1/4	39-1/4	5-5/8	54-3/8	62

\* Indicates factory wired, built-on load carrying thermostat. All other built-on thermostats are pilot duty only. Last two digits of catalog number indicate number of heater circuits.

\*\* If any special features are added to a standard heater, the part number will change to a HX-350-Series number. This part number is assigned after an order is placed.

# Circulation Heaters

KW	Number Of Elements	Catalog Number**			Dimensions (Inches)					Weight (Lbs.)
		240V/1 Phase	240V/3 Phase	480V/3 Phase	A	B	MC	FC	M	
<b>3" -150 LB. FLANGE CONSTRUCTION, INCOLOY ELEMENTS, 20 W/IN<sup>2</sup></b>										
3.75	3	HX-3543A004J01*	HX-3544A014K01	HX-3543A004U01	34-1/4	22-1/2	16-1/2	4-1/8	30-1/4	65
6	3	HX-3543A006J01*	HX-3544A018K01	HX-3543A006U01	46-1/4	34-1/2	26-1/2	4-1/8	42-1/4	81
7.5	3	HX-3543A008J01*	HX-3544A024K02	HX-3543A008U01	56-3/4	45	39	4-1/8	52-3/4	93
12	3	HX-3543A012J03	HX-3544A036K03	HX-3543A012U01	79-3/4	68	62	4-1/8	75-3/4	101
<b>5" -150 LB. FLANGE CONSTRUCTION, INCOLOY ELEMENTS, 20 W/IN<sup>2</sup></b>										
13.5	9	HX-3544A014J03	HX-3544A014K01	HX-3544A014U01	43-1/2	30	25	4-3/4	38-7/8	140
18	9	HX-3544A018J03	HX-3544A018K01	HX-3544A018U01	50-1/2	37	25	9	45-7/8	157
24	6	HX-3544A024J03	HX-3544A024K02	HX-3544A024U01	81-1/2	68	25	24	76-7/8	214
36	9		HX-3544A036K03	HX-3544A036U01	81-1/2	68	25	24	76-7/8	225
<b>8" -150 LB. FLANGE CONSTRUCTION, INCOLOY ELEMENTS, 20 W/IN<sup>2</sup></b>										
45	18		HX-3545A045K03	HX-3545A045U02	66-1/8	47-3/8	43-13/16	8-3/4	60-1/4	361
54	18		HX-3545A054K03	HX-3545A054U02	69-3/8	50-1/2	47	8-3/4	63-1/2	373
72	18		HX-3545A072K06	HX-3545A072U02	86-3/8	67-1/2	64	8-3/4	80-1/2	443
96	24		HX-3545A096K08	HX-3545A096U04	86-3/8	67-1/2	64	8-3/4	80-1/2	466
<b>10" -150 LB. FLANGE CONSTRUCTION, INCOLOY ELEMENTS, 20 W/IN<sup>2</sup></b>										
80	30		HX-3546N080K05	HX-3546N080U05	77	52	48-1/2	10-3/4	71-5/8	607
90	30		HX-3546N090K05	HX-3546N090U05	81	56	52-1/2	10-3/4	75-5/8	631
100	30		HX-3546N100K10	HX-3546N100U05	87	62	58-1/2	10-3/4	81-5/8	666
120	30		HX-3546N120K10	HX-3546N120U05	97	72	68-1/2	10-3/4	91-5/8	724
140	30		HX-3546N140K10	HX-3546N140U05	105	80	76-1/2	10-3/4	99-5/8	772
<b>12" -150 LB. FLANGE CONSTRUCTION, INCOLOY ELEMENTS, 20 W/IN<sup>2</sup></b>										
125	45			HX-3547N125U05	74	50	—	—	68-9/16	813
150	45			HX-3547N150U05	84	60	—	—	78-9/16	884
175	45			HX-3547N175U05	94	70	—	—	88-9/16	957
200	42			HX-3547N200U07	104	80	—	—	98-9/16	1016
<b>16" -150 LB. FLANGE CONSTRUCTION, INCOLOY ELEMENTS, 20 W/IN<sup>2</sup></b>										
250	72			HX-3548N250U08	83-1/2	58	—	—	77-7/8	1110
300	72			HX-3548N300U08	93-1/2	68	—	—	87-7/8	1284
325	72			HX-3548N325U12	101-1/2	76	—	—	95-7/8	1398
<b>2-1/2" PIPE THREAD CONSTRUCTION, INCOLOY ELEMENTS, 50 W/IN<sup>2</sup></b>										
3	3	HX-3562A003J01*	HX-3562A003K01*		21-1/4	9-3/8	—	—	18-1/2	30
4.5	3	HX-3562A005J01*	HX-3562A005K01*	HX-3562A005U01	21-1/4	9-3/8	—	—	18-1/2	30
6	3	HX-3562A006J01*	HX-3562A006K01*	HX-3562A006U01	34-3/8	22-1/2	16-1/2	5-5/8	31-5/8	40
7.5	3	HX-3562A008J01*	HX-3562A008K01*	HX-3562A008U01	34-3/8	22-1/2	16-1/2	5-5/8	31-5/8	41
9	3	HX-3562A009J01*	HX-3562A009K01*	HX-3562A009U01	34-3/8	22-1/2	16-1/2	5-5/8	31-5/8	41
<b>3" -150 LB. FLANGE CONSTRUCTION, INCOLOY ELEMENTS, 50 W/IN<sup>2</sup></b>										
6	3	HX-3563A006J01*	HX-3563A006K01*	HX-3563A006U01	34-1/4	22-1/2	16-1/2	4-1/8	30-1/4	65
9	3	HX-3563A009J01*	HX-3563A009K01*	HX-3563A009U01	34-1/4	22-1/2	16-1/2	4-1/8	30-1/4	66
12	3	HX-3563A012J03	HX-3563A012K01*	HX-3563A012U01	46-1/4	34-1/2	26-1/2	4-1/8	42-1/4	81
15	3	HX-3563A015J03	HX-3563A015K01	HX-3563A015U01	56-3/4	45	39	4-1/8	52-3/4	91
18	3	HX-3563A018J03	HX-3563A018K01	HX-3563A018U01	56-3/4	45	39	4-1/8	52-3/4	93
<b>5" -150 LB. FLANGE CONSTRUCTION, INCOLOY ELEMENTS, 50 W/IN<sup>2</sup></b>										
24	6	HX-3564A024J03	HX-3564A024K02	HX-3564A024U01	43-1/2	30	25	4-3/4	38-7/8	135
30	6		HX-3564A030K02	HX-3564A030U01	50-1/2	37	25	9	45-7/8	150
45	9		HX-3564A045K03	HX-3564A045U03	50-1/2	37	25	9	45-7/8	157
63	9			HX-3564A063U03	62	48-1/2	25	14	57-3/8	181
<b>8" -150 LB. FLANGE CONSTRUCTION, INCOLOY ELEMENTS, 50 W/IN<sup>2</sup></b>										
72	18		HX-3565A072K06	HX-3565A072U02	53-3/8	34-1/2	31	8-3/4	47-1/2	302
96	24		HX-3565A096K08	HX-3565A096U04	53-3/8	34-1/2	31	8-3/4	47-1/2	312
126	18			HX-3565A126U06	66-1/8	47-3/8	43-13/16	8-3/4	60-1/4	361
144	18			HX-3565A144U06	75-5/8	56-7/8	53-5/16	8-3/4	69-3/4	396
180	18			HX-3565A180U06	86-3/8	67-1/2	64	8-3/4	80-1/2	443
240	27			HX-3565A240U08	86-3/8	67-1/2	64	8-3/4	80-1/2	466

\* Indicates factory wired, built-on load carrying thermostat. All other built-on thermostats are pilot duty only. Last two digits of catalog number indicate number of heater circuits.

\*\* If any special features are added to a standard heater, the part number will change to a 350-Series number. This part number is assigned after an order is placed.